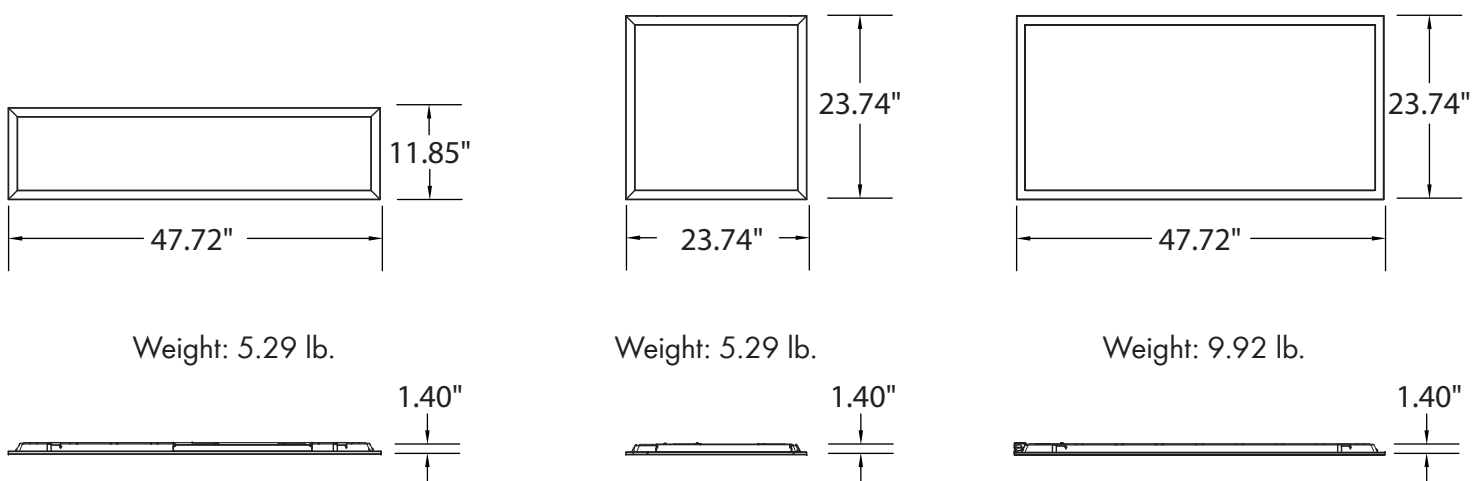




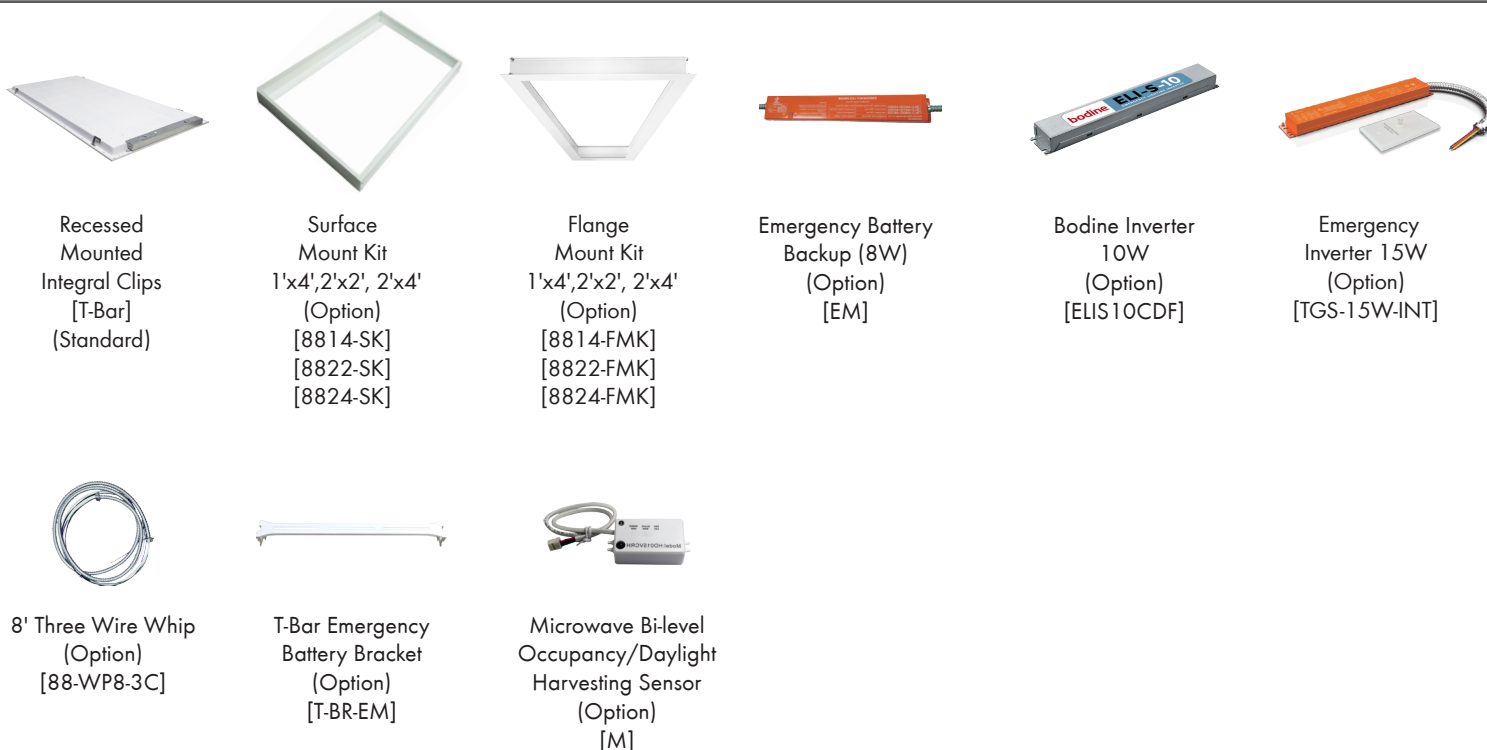
**DIMENSIONS**



**LUMEN OUTPUT**

SKU	Size (LxW)	Wattage (W)	Delivered Lumens (lm)	Efficacy (lm/W)	Delivered Lumens (lm)	Efficacy (lm/W)	Delivered Lumens (lm)	Efficacy (lm/W)
EA-P-14-L-C-U-D	1'x4'	20/25/30	2500 (20W)	125	3125 (25W)	125	3750 (30W)	125
EA-P-22-L-C-U-D	2'x2'	20/30/40	2500 (20W)	125	3750 (30W)	125	5000 (40W)	125
EA-P-24-L-C-U-D	2'x4'	40/50/55	5000 (40W)	125	6250 (50W)	125	6875 (55W)	125

**ACCESSORIES**



Recessed Mounted Integral Clips [T-Bar] (Standard)

Surface Mount Kit 1'x4', 2'x2', 2'x4' (Option) [8814-SK] [8822-SK] [8824-SK]

Flange Mount Kit 1'x4', 2'x2', 2'x4' (Option) [8814-FMK] [8822-FMK] [8824-FMK]

Emergency Battery Backup (8W) (Option) [EM]

Bodine Inverter 10W (Option) [ELIS10CDF]

Emergency Inverter 15W (Option) [TGS-15W-INT]

8' Three Wire Whip (Option) [88-WP8-3C]

T-Bar Emergency Battery Bracket (Option) [T-BR-EM]

Microwave Bi-level Occupancy/Daylight Harvesting Sensor (Option) [M]