



COMBINED FAMILY SPECIFICATION

IMPAKT™ SERIES

Architectural Floodlight

Impakt™ XS

Impakt™

Date:	
Project Name:	
SKU #:	

Impakt™ XS
Architectural Floodlight



APPLICATIONS

Commercial Parking Lots, Pedestrian Pathways, Street Lighting

FEATURES

- | | |
|---|---|
| <p>Construction</p> <ul style="list-style-type: none"> - Rugged Die-cast Aluminum Housing - High Impact PC Injection Lens with Rubber Seal Ensuring IP65 Rating. <p>Electrical & Technical</p> <ul style="list-style-type: none"> - Input Voltage: 120-277VAC - Input Frequency: 50/60Hz - Projected Life: L70 > 50,000 hrs - PF: >0.9 - CRI: 70 - THD: <20% - CCT: 3000K, 4000K, 5000K, or 5700K - Operating Temp.: -40°F ~ 104°F - IP Rating: IP65 Enclosure - 10kV Surge Protection [Option] <p>Controls</p> <ul style="list-style-type: none"> - 0-10V Dimming [Standard] - Button Photocell [Option] <p>Lumen Output</p> <ul style="list-style-type: none"> • 20W: 2700lm • 30W: 4050lm | <p>Finish</p> <ul style="list-style-type: none"> - Dark Bronze [Standard] - Matte White* - Matte Black* - Matte Gray* <p>Optical</p> <ul style="list-style-type: none"> - Distribution Type: <ul style="list-style-type: none"> • NEMA5 [H5V5] • NEMA7 [H7V6] <p>Installation/Mounting</p> <ul style="list-style-type: none"> - Knuckle Mount (½ thread) - Trunnion <p>Warranty</p> <ul style="list-style-type: none"> - 5 Year Warranty - See warranty documentation for more information. |
|---|---|

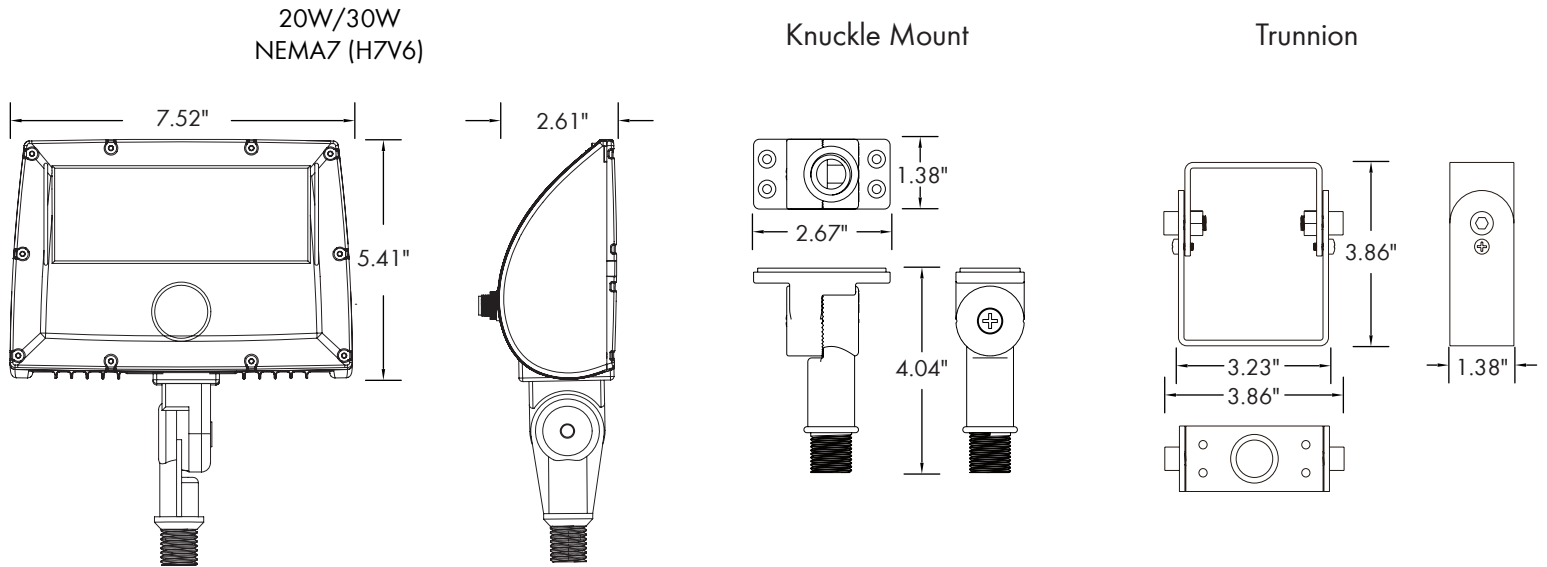


ORDERING INFORMATION **EXAMPLE: IPF-XS-20-50-U-D0-D-07-KN**

Series	Size	Wattage	CCT	Input Voltage	Controls Option	Finish	Distribution	Mount
IPF	XS - Extra Small	20 - 20W 30 - 30W	30 - 3000K 40 - 4000K 50 - 5000K 57 - 5700K	U - 120-277VAC	D0 (Without Control Sensors) PH (Button Photocell)	D - Dark Bronze G - Matte Gray* B - Matte Black* W - Matte White*	05 - NEMA5 [H5V5] 07 - NEMA7 [H7V6]	KN - Knuckle Mount TR - Trunnion

- Accessories**
- IPF-XS-TV (Top Visor)
 - IPF-XS-BV (Bottom Visor)
 - IPF-XS-WG (Wire Guard)
 - IPF-SP10 (Surge Protection 10kV/5kA)

DIMENSIONS



Weight: 5.5 lb.

LUMEN OUTPUT

SKU	Size	Wattage (W)	Delivered Lumens (lm)	Efficacy (lm/W)
IPF-XS-20-50-U-D0-D-07-KN	Extra Small	20	2700	135
IPF-XS-30-50-U-D0-D-07-KN	Extra Small	30	4050	135

ELECTRICAL LOAD

Wattage (W)	Current (A)					
	120V	208V	240V	277V	347V	480V
20	0.16	0.09	0.08	0.07	-	-
30	0.25	0.14	0.12	0.10	-	-

ACCESSORIES



Knuckle Mount
(1/2" Thread)
[KN]



Trunnion
[TR]



Top Visor
[IPF-XS-TV]



Bottom Visor
[IPF-XS-BV]



Wire Guard
[IPF-XS-WG]



Button Photocell
[Factory Installed]
[PH]

Date:	
Project Name:	
SKU #:	

Impakt™
Architectural Floodlight



APPLICATIONS

Commercial Parking Lots, Pedestrian Pathways, Street Lighting

FEATURES

- | | |
|---|--|
| <p>Construction</p> <ul style="list-style-type: none"> - Rugged Die-cast Aluminum Housing - Modular Light Engine [IP67 Rating] <p>Electrical & Technical</p> <ul style="list-style-type: none"> - Input Voltage: 120-277VAC
347-480VAC [Option] - Input Frequency: 50/60Hz - Projected Life: L70 > 75,000 hrs - PF: >0.9 - CRI: 70 - THD: <20% - CCT: 3000K, 4000K, 5000K, or 5700K - Operating Temp.: -40°F ~ 104°F - Adjustable Lumen Output - IP Rating: IP65 Enclosure & IP67 Driver - 6kV Surge Protection Included W/ Driver - 10kV Surge Protection [Option] - 20kV Surge Protection [Option For IPF-M/IPF-L] <p>Controls</p> <ul style="list-style-type: none"> - 0-10V Dimming [Standard] - Button Photocell [Option For IPF-S] - Bi-level Occupancy/Daylight Harvesting Sensor [Option For IPF-M & IPF-L] - Twistlock Photocell [Option For IPF-M & IPF-L] - Dimulator Dimming Photocontrol [Option For IPF-M & IPF-L] - Wireless Control System Powered By SYNAPSE [Option For IPF-M & IPF-L] - Network Motion Sensor [Option] <p>Lumen Output</p> <ul style="list-style-type: none"> • See Page 2 <p>EPA Rating</p> <ul style="list-style-type: none"> • See Page 2 | <p>Finish</p> <ul style="list-style-type: none"> - Dark Bronze [Standard] - Matte White - Matte Black - Matte Gray <p>Optical</p> <ul style="list-style-type: none"> - Distribution Type: <ul style="list-style-type: none"> • NEMA5 [H5V5] • NEMA7 [H7V6] <p>Installation/Mounting</p> <ul style="list-style-type: none"> - Knuckle Mount (½ thread) [For IPF-S] - Slipfitter [For IPF-M & IPF-L] - Trunnion <p>Warranty</p> <ul style="list-style-type: none"> - 5 Year Warranty - See warranty documentation for more information. |
|---|--|



ORDERING INFORMATION

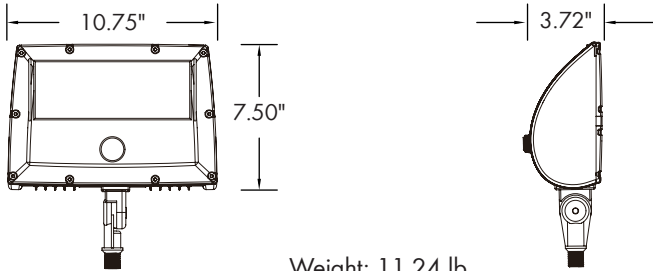
EXAMPLE: IPF-M-L-50-U-D0-D-07-SF

Series	Size	Wattage	CCT	Input Voltage	Controls Option	Finish	Distribution	Mount
IPF	S - Small	L (50W/60W/80W)	30 - 3000K 40 - 4000K 50 - 5000K 57 - 5700K	U - 120-277VAC H - 347-480VAC	PH (Button Photocell)	D - Dark Bronze G - Gray* B - Black* W - White*	05 - NEMA5 [H5V5] 07 - NEMA7 [H7V6]	KN - Knuckle
	M - Medium	L (100W/150W/200W)			D0 (Without Control Sensors) D1 (Wireless Control System Powered by SYNAPSE) D1-7SC (7 Pin Receptacle W/Shortcap) D1-7PC (7 Pin Receptacle W/On/Off Photocell) D4 (Bi-level Occupancy/Daylight Sensor) DIM4-U - Dimulator 120-277V with 7 pin DIM4-H - Dimulator 480V with 7 pin			TR - Trunnion
	L - Large	L (250W/275W/300W)						SF - Slipfitter TR - Trunnion

Accessories			
IPF-S-TV (Top Visor)	IPF-M-AS (Adjustable Shield)*	IPF-S-WG (Wire Guard)	IPF-SP10 (Surge Protection 10kV/5kA)
IPF-M-TV (Top Visor)	IPF-L-AS (Adjustable Shield)*	IPF-M-WG (Wire Guard)	IPF-SP20 (Surge Protection 20kV/5kA) [For Medium/Large]
IPF-L-TV (Top Visor)	IPF-M-FVS (Full Visor Short)*	IPF-L-WG (Wire Guard)	FDP-301-L2-G (Network Motion Sensor)
IPF-S-BV (Bottom Visor)	IPF-L-FVS (Full Visor Short)*		FDP-301-L2-W (Network Motion Sensor)
IPF-M-BV (Bottom Visor)	IPF-M-FVL (Full Visor Long)*		FDP-301-L7-G (Network Motion Sensor)
IPF-L-BV (Bottom Visor)	IPF-L-FVL (Full Visor Long)*		FDP-301-L7-W (Network Motion Sensor)

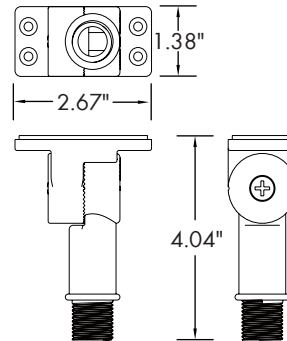
DIMENSIONS

50W/60W/80W
NEMA7 (H7V6)

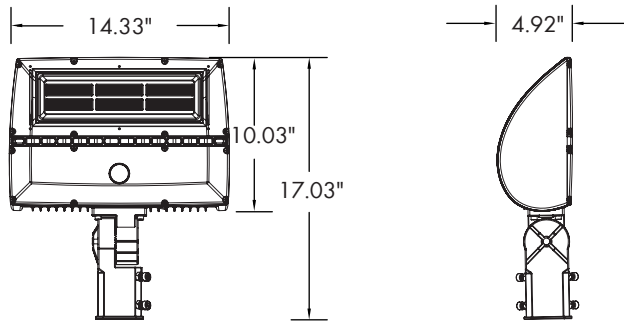


Weight: 11.24 lb.
EPA Rating: 0.624 ft²
(Includes Knuckle Mount)

Knuckle Mount
[Impakt Small]

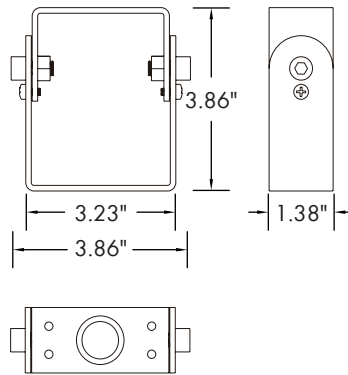


100W/150W/200W
NEMA7 (H7V6)

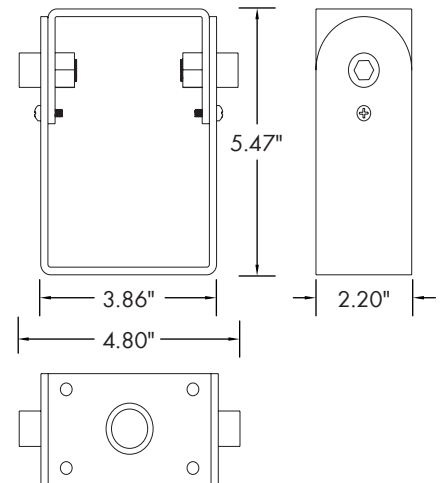


Weight: 20 lb.
EPA Rating: 1.19 ft²
(Includes Slipfitter)

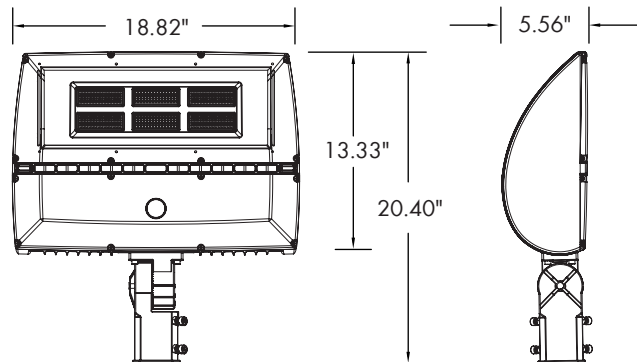
Trunion
[Impakt Small]



Trunion
[Impakt Medium & Large]

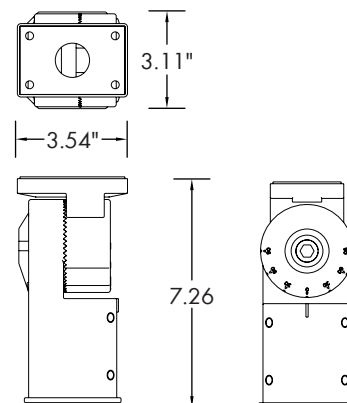


250W/275W/300W
NEMA7 (H7V6)



Weight: 29 lb.
EPA Rating: 2.027ft²
(Includes Slipfitter)

Slipfitter
[Impakt Medium & Large]



LUMEN OUTPUT

SKU	Size	Wattage (W)	Delivered Lumens (lm)	Efficacy (lm/W)	Delivered Lumens (lm)	Efficacy (lm/W)	Delivered Lumens (lm)	Efficacy (lm/W)
IPF-S-L-50-U-D0-D-07-KN	Small	50/60/80	7000 (50W)	135	8400 (60W)	135	11200 (80W)	135
IPF-M-L-50-U-D0-D-07-SF	Medium	100/150/200	13500 (100W)	135	20250 (150W)	135	27000 (200W)	135
IPF-L-L-50-U-D0-D-07-SF	Large	250/275/300	33750 (250W)	135	37125 (275W)	135	40500 (300W)	135

ELECTRICAL LOAD

Wattage (W)	Current (A)					
	120V	208V	240V	277V	347V	480V
	Input Voltage					
50	0.41	0.24	0.20	0.18	0.14	0.10
60	0.50	0.28	0.25	0.21	0.17	0.12
80	0.66	0.37	0.33	0.28	0.23	0.16
100	0.83	0.48	0.41	0.36	0.28	0.20
150	1.25	0.72	0.62	0.54	0.43	0.31
200	1.66	0.96	0.83	0.72	0.57	0.41
250	2.08	1.20	1.04	0.90	0.72	0.52
275	2.29	1.32	1.14	0.99	0.79	0.57
300	2.50	1.44	1.25	1.08	0.86	0.62

ACCESSORIES



Knuckle Mount
(1/2" Thread)
(Only Available IPF-S)
[KN]



Slipfitter
[SF]



Trunnion
[TR]



Top Visor
[IPF-S-TV, IPF-M-TV, IPF-L-TV]



Bottom Visor
[IPF-S-BV, IPF-M-BV, IPF-L-BV]



Adjustable Shield*
[IPF-M-AS, IPF-L-AS]



Full Visor Short*
(IPF-M-FVS, IPF-L-FVS)



Full Visor Long*
(IPF-M-FVL, IPF-L-FVL)



Wire Guard
[IPF-S-WG, IPF-M-WG, IPF-L-WG]



Network Motion Sensor
[FDP-301-L2-G, FDP-301-L2-W,
FDP-301-L7-G, FDP-301-L7-W]



Bi-level Occupancy
Sensor/Daylight Harvesting
Sensor
[D4]



7 Pin Receptacle &
Dimulator
[DIM4-U or DIM4-H]



7 Pin Receptacle &
On/Off Photocell
[D1-7PC]



Button Photocell
[Only For IPF-S]
[PH]

Note:
Available for Only for Medium and Large Impact:

- Network Motion Sensor
- Bi-Level Occupancy/Daylight Harvesting Sensor
- 7 Pin Dimulator
- 7 Pin On/Off Photocell
- Full Visor Short
- Full Visor Long
- Adjustable Shield

CONTROL PRE-COMMISSIONING [FOR IPF-M & IPF-L]

Default setting are indicated by*

High-End Trim/ Tuning	Sensitivity Range	Time Delay	Daylight Harvesting	Stand-by Light Level Setting	Stand-by Time Setting
70%	70%	10s	Light Sensor Disabled*	0%	∞
80%	50%	1min	1FC (10lux)	10%*	1min
90%	70%	10min*	3FC (30lux)	30%	30min
100%*	100%*	15min	5FC (50lux)	50%	60min*

High-End Trim/Tuning:

Setting that determines the maximum lumen output through high-end trim tuning, can be reduced by up to 30 percent.

Sensitivity Range:

Setting that determines the sensitivity range of the motion sensor when the daylight sensor is disabled.

Time Delay:

The light can be set to stay ON for any period of time between approx. 10 sec. to a maximum of 60 min. Any movement detected before this time elapse will re-start the timer.

Daylight Harvesting:

The chosen light response threshold can be disabled or respond when photocell detects foot candle levels 1-5 FC

Stand-by Light Level:

Setting determines how much lumen output is dimmed down to when no motion is detected.

Stand-by Time:

Setting determines how long after stand-by light level occurs the light will shut off. Up to 60 minutes.

DIMULATOR: STAND-ALONE LED DIMMING PHOTCONTROL [FOR IPF-M & IPF-L]

**Features**

- Factory preset dimming - no selector switch
- 10 Year Warranty
- Compliant with ANSI C136.41 receptacle
- Optional constant all night dimming
- Adaptive lighting control with progressive intensities
- 40kV Surge Protection
- High voltage version available
- Advance time/date algorithm auto-adjusts for daylight savings
- Automatically synchronize to local time

**Patent #9210746****Bat Eye Technology**

- Advanced light sensor, only reacts to sunlight
- Immune to LED and other artificial light
- No false activation (no cycling)
- May be oriented in any direction

ELL PHOTOCCELL: EXTRA LONG LIFE PHOTOCONTROL [FOR IPF-M & IPF-L]

**Features**

- Designed to meet or exceed the life expectancy of LED fixtures.
- 10 Year Warranty
- 40kV Surge Protection
- High voltage version available

Bat Eye Technology

- Advanced light sensor, only reacts to sunlight
- Immune to LED and other artificial light
- No false activation (no cycling)
- May be oriented in any direction



CONTROL SYSTEM [FOR IPF-M & IPF-L]

POWERED BY

SYNAPSE



- WiFi Mesh Receiver Nodes.
- Communication range is up to 500 ft line of sight.
- Control dimming and On/Off.
- Secure, over-the-air software upgrades.



- Manual/Remote/Web access to Nodes.
- Control up to 1000 Nodes.
- Weather protected.
- Optional, pre-configured 5 button switch to allow for control of all lighting (Central Base Station only).



**Wattstopper FDP-301
Network Controlled
Sensor
(Optional)**



**Central Control
Base Station
(Optional)**



SimplySnap Controller



**WiFi or LAN Network
with
browser based
control interface**

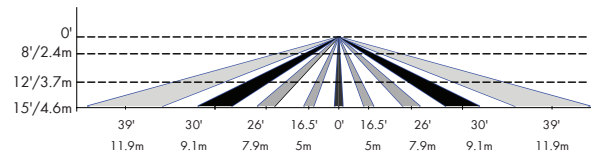
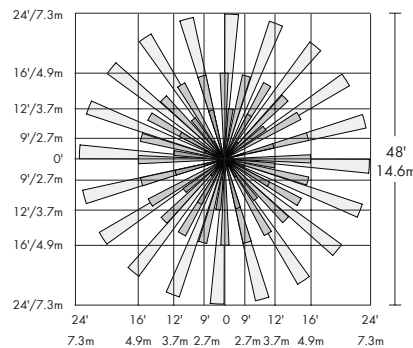


**Optional Cloud Control
with Verizon 4G LTE**

WATTSTOPPER® FDP-301 NETWORK CONTROLLED MOTION SENSOR [FOR IPF-M & IPF-L]

L2 Lens The FDP-L2 is designed for mounting at heights between 8'-15'. It provides 48' diameter coverage area when mounted at height 8' or a 78' coverage area at 15'.

Top View @ 8'



L7 Lens The FDP-L7 has a lens that covers a 100' diameter area at a height of 40'

Top View @ 40'

