

| | |
|---------------|--|
| Date: | |
| Project Name: | |
| SKU #: | |

VERGE™
Architectural Linear Pendant



MOUNTING OPTIONS



Cable Mount
[CM05, CM08, CM10]

APPLICATIONS

Commercial, Retail, Office, Public Spaces

FEATURES

Construction

- Seamless Extruded Aluminum Housing
- Power Over Suspension

Electrical & Technical

- Input Voltage: 120-277V
- Input Frequency: 50/60Hz
- Projected Life: L70 > 50,000 hrs
- PF: >0.9
- CRI: >90
- THD: <20%
- CCT: *2700K, 3000K, 3500K, 4000K, *5000K
- 3-Step SDCM MacAdam Ellipse
- Operating Temp.: -4°F ~ 104°F
- 12W Emergency Inverter [Option] [Field Install]
- 10W Bodine Inverter [Option] [Field Install]

Controls

- 0-10V Dimming (1% Dimming)

Lumen Output

- 30W: 1,800lm
- 45W: 2,700lm

Finish

- Matte Black
- Matte White
- Wood
- Titanium Silver*
- Tangerine Orange*
- Ruby Red*
- Emerald Green*
- Lemon Yellow*
- Custom*

Optical

- Acrylic Lens
- Direct and Indirect Output:
70% Direct Light &
30% Indirect Uplight

Installation/Mounting

- Cable Mount
Available Lengths:
5' [Standard], 8', 10'

Warranty

- 5 Year Warranty
See warranty documentation
for more information.

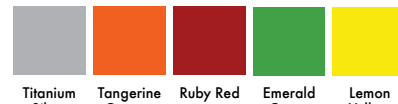
FINISHES

Standard



Matte Black Matte White Wood

Custom*



Titanium Silver Tangerine Orange Ruby Red Emerald Green Lemon Yellow

NOTE: Any Custom Color Available*

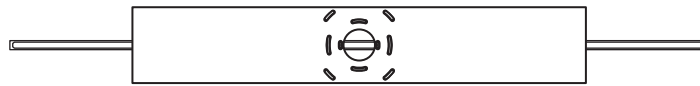
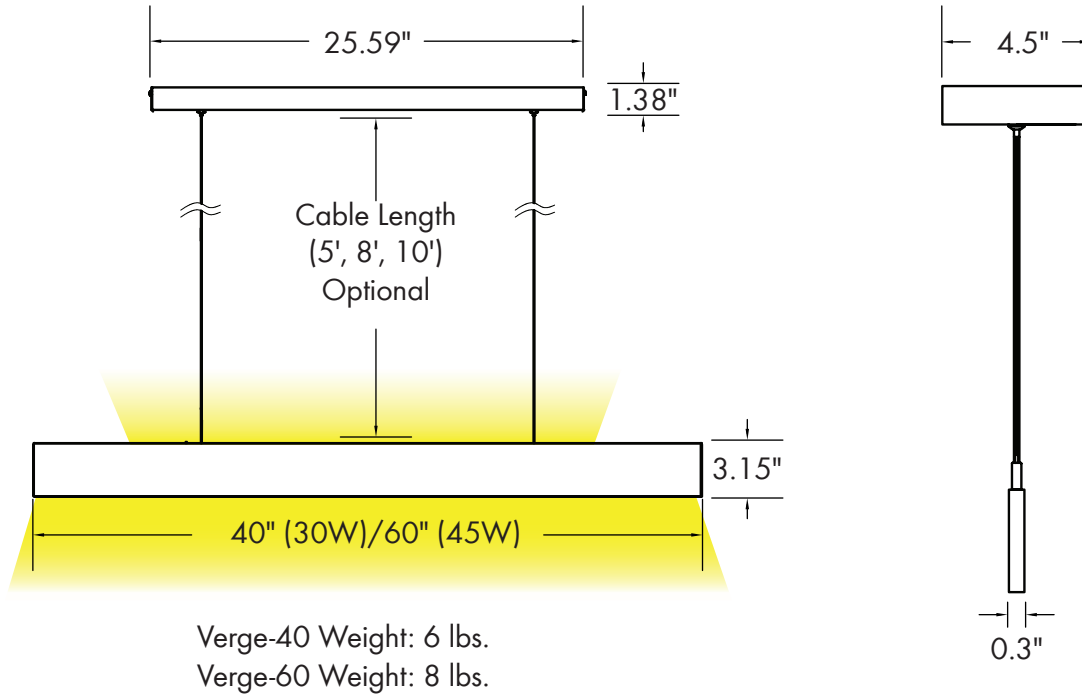


ORDERING INFORMATION

EXAMPLE: VERGE-40-30W-30K-U-D-B-CM05-UI

| Series | Size | Wattage | CCT | Input Voltage | Control | Finish | Mounting Option | Uplight |
|---|----------|---------|---|---------------|------------------------|--|---|--|
| VERG | 40 - 40" | 30W | 27K - 2700K* | U - 120-277V | D - 0-10V (1%) Dimming | STANDARD | CM05 - 5' Cable Mount | UI - Uplight Illumination |
| | 60 - 60" | 45W | 30K - 3000K 35K - 3500K 40K - 4000K 50K - 5000K* | | | B - Matte Black W - Matte White T - Wood | CM08 - 8' Cable Mount CM10 - 10' Cable Mount | (70% Direct Light and 30% Indirect Uplight of Lumens) |
| | | | | | | CUSTOM* | | |
| | | | | | | S - Titanium Silver O - Tangerine Orange R - Ruby Red G - Emerald Green Y - Lemon Yellow C - Custom | | |
| Accessories | | | | | | | | |
| ELIS10CDF (Bodine Inverter 10W) WP-CEP-12C-200VPE1 (EM Inverter 12W) | | | | | | | | |

DIMENSIONS



Can be mounted onto 3.5" and 4" junction box.

LUMEN OUTPUT

| SKU | Wattage (W) | Delivered Lumens (lm) | Efficacy (lm/W) |
|---------------------|-------------|-----------------------|-----------------|
| VERG-40-30W-40K-U-D | 30 | 1800 | 60 |
| VERG-60-45W-40K-U-D | 45 | 2700 | 60 |

ACCESSORIES



Bodine Inverter 10W
(Option)
(Installed Remotely)
(Works up to 100W)
[ELIS10CDF]



Emergency Inverter 12W
(Option)
[WP-CEP-12C-200VPE1]