

Date:	
Project Name:	
SKU #:	

**T-SPEC™**  
Architectural Lighting



**APPLICATIONS**

Commercial, Retail, Office, Public Spaces

**FEATURES**

- |                                                                                                                                                                                                                                                                                                                                                                                                                                                                                                                                                                                                                                                                                                                                                                                                                                                                                                                                                                                                                                                                                                                                                                                                                                                                                                                                                                                              |                                                                                                                                                                                                                                                                                                                                                                                                                                                                                                                                                                                                                                                                                                 |
|----------------------------------------------------------------------------------------------------------------------------------------------------------------------------------------------------------------------------------------------------------------------------------------------------------------------------------------------------------------------------------------------------------------------------------------------------------------------------------------------------------------------------------------------------------------------------------------------------------------------------------------------------------------------------------------------------------------------------------------------------------------------------------------------------------------------------------------------------------------------------------------------------------------------------------------------------------------------------------------------------------------------------------------------------------------------------------------------------------------------------------------------------------------------------------------------------------------------------------------------------------------------------------------------------------------------------------------------------------------------------------------------|-------------------------------------------------------------------------------------------------------------------------------------------------------------------------------------------------------------------------------------------------------------------------------------------------------------------------------------------------------------------------------------------------------------------------------------------------------------------------------------------------------------------------------------------------------------------------------------------------------------------------------------------------------------------------------------------------|
| <p><b>Construction</b></p> <ul style="list-style-type: none"> <li>- Aluminum frame for maximum rigidity and lightweight body.</li> <li>- Convective cooling.</li> </ul> <p><b>Electrical &amp; Technical</b></p> <ul style="list-style-type: none"> <li>- Input Voltage: 100-277V</li> <li>- Input Frequency: 50/60Hz</li> <li>- Projected Life: L70 &gt; 50,000 hrs</li> <li>- PF: &gt;0.9</li> <li>- CRI: &gt;80</li> <li>- THD: &lt;20%</li> <li>- CCT: *3000K, 3500K, 4000K, 5000K</li> <li>- Operating Temp.: -4°F ~ 104°F</li> <li>- Damp Location Rated</li> <li>- Three T-Specs' Powered Single Driver via PoE Connection:             <ul style="list-style-type: none"> <li>• 30W Driver: Powers up to three 10W, 2' T-Spec™</li> <li>• 60W Driver: Powers up to three 20W, 4' T-Spec™</li> </ul> </li> <li>- CMP Cable [Plenum Rated] Option: ANSI/NFPA Standard 262-1985 (UL-910) compliant</li> <li>- 2' T-Spec: 6' Power Cable [Standard]</li> <li>- 4' T-Spec: 8' Power Cable [Standard]</li> <li>- 12' Extension Cable (Option)</li> <li>- 15W Emergency Inverter Option (Power Per Driver)</li> <li>- 10W Bodine Inverter Option (Power Per Driver)</li> </ul> <p><b>Controls</b></p> <ul style="list-style-type: none"> <li>- 0-10V Dimming</li> </ul> <p><b>Lumen Output</b></p> <ul style="list-style-type: none"> <li>• 10W: 1,300lm</li> <li>• 20W: 2,600lm</li> </ul> | <p><b>Finish</b></p> <ul style="list-style-type: none"> <li>- Silver Frame</li> <li>- White Lens</li> </ul> <p><b>Optical</b></p> <ul style="list-style-type: none"> <li>- Acrylic Lens</li> <li>- Wall Wash:<br/>Contact TGS For Details</li> </ul> <p><b>Installation/Mounting</b></p> <p>Suitable for T-Bar Grid installation:</p> <ul style="list-style-type: none"> <li>- 15/16" Exposed Type T-Bar Grid</li> <li>- 9/16" Slim Exposed T-Bar Grid</li> <li>- 9/16" Slot T-Bar Grid</li> </ul> <p>See Page 3 For Compatibility Chart</p> <p><b>Warranty</b></p> <ul style="list-style-type: none"> <li>- 5 Year Warranty</li> </ul> <p>See warranty documentation for more information.</p> |
|----------------------------------------------------------------------------------------------------------------------------------------------------------------------------------------------------------------------------------------------------------------------------------------------------------------------------------------------------------------------------------------------------------------------------------------------------------------------------------------------------------------------------------------------------------------------------------------------------------------------------------------------------------------------------------------------------------------------------------------------------------------------------------------------------------------------------------------------------------------------------------------------------------------------------------------------------------------------------------------------------------------------------------------------------------------------------------------------------------------------------------------------------------------------------------------------------------------------------------------------------------------------------------------------------------------------------------------------------------------------------------------------|-------------------------------------------------------------------------------------------------------------------------------------------------------------------------------------------------------------------------------------------------------------------------------------------------------------------------------------------------------------------------------------------------------------------------------------------------------------------------------------------------------------------------------------------------------------------------------------------------------------------------------------------------------------------------------------------------|

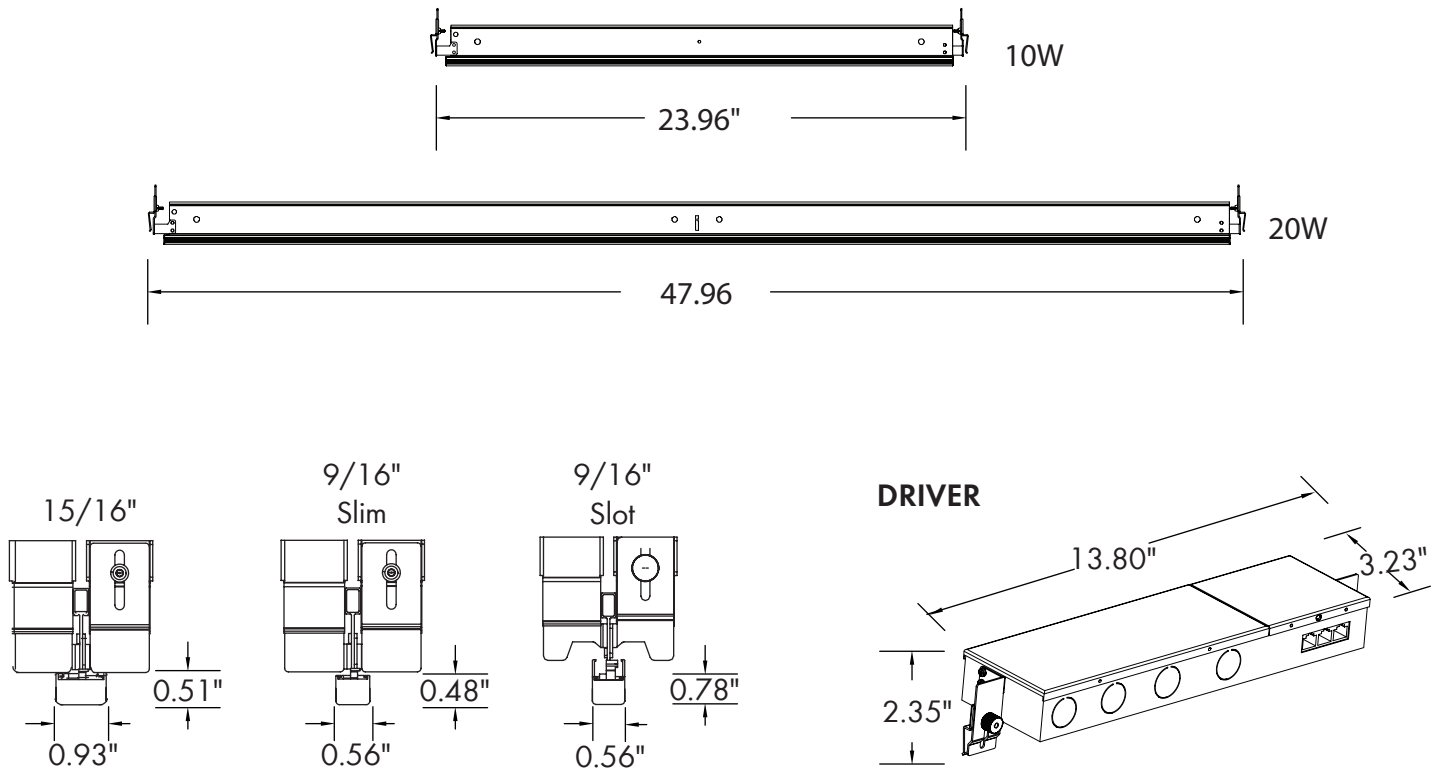


**ORDERING INFORMATION** **EXAMPLE: TSPEC2-10W-50K-15-U-D**

Series	Length	Wattage	CCT	Ceil Grid Type	Input Voltage	Control
TSPEC	2 - 2'	10W	30K - 3000K* 35K - 3500K	15 - 15/16" Exposed Type T-Bar 09 - 9/16" Slim Exposed Type T-Bar	U - 100-277V	D - 0-10V Dimming
	4 - 4'	20W	40K - 4000K 50K - 5000K	S9 - 9/16" Slot Type T-Bar		

Drivers	Accessories
TSPEC2-30W-DRIVER (T-Spec™ 2' [30W Driver]) TSPEC4-60W-DRIVER (T-Spec™ 4' [60W Driver])	ELIS10CDF (Bodine Inverter 10W) TGS-15W-INT (EM Inverter 15W) CMP (Plenum Rated Cable) TSPEC-EXT-12FT (12ft Extension Cable) T-BR-EM (T-Bar Bracket for Emergency Battery Backup)

## DIMENSIONS



## LUMEN OUTPUT

SKU	Wattage (W)	Delivered Lumens (lm)	Efficacy (lm/W)
TSPEC2-10W-50K-U-D	10	1300	130
TSPEC4-20W-50K-U-D	20	2600	130

## ACCESSORIES



Bodine Inverter 10W  
(Option)  
(Installed Remotely)  
(Works up to 100W)  
[ELIS10CDF]



Emergency Inverter 15W  
(Option)  
[TGS-15W-INT]



T-Bar Emergency  
Battery Bracket  
[TR-BR-EM]



Extension Cable  
(12')  
[TSPEC-EXT12FT]

COMPATIBLE CEILING CHART

TSPECX-XXW-XXK-09-U-D

TSPECX-XXW-XXK-S9-U-D

TSPECX-XXW-XXK-15-U-D



9/16" Slim Exposed

9/16" Slot

15/16" Exposed

T-SPEC™ Ceiling Compatibility



Suprane® XL



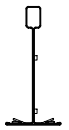
Silhouette® 1/4" XL



Silhouette® 1/8" XL

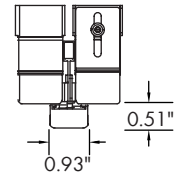
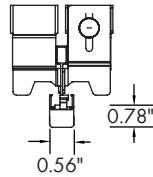
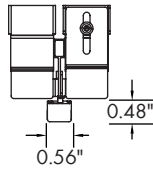


Prelude® XL



Clean Room

Size



Lengths/Wattages/Lumen

2'/10W/1100 lm  
4'/20W/2200 lm

2'/10W/1100 lm  
4'/20W/2200 lm

2'/10W/1300 lm  
4'/20W/2600 lm

Efficacy

>110 lm/W

>110 lm/W

>130 lm/W

120° Beam Angle

✓

✓

✓

100-277VAC Input

✓

✓

✓

Custom Pattern

✓

✓

✓

Plenum Rated Cable

✓

✓

✓

Emergency Option

✓

✓

✓

UL/CUL

✓

✓

✓

Note: Suprane®, Silhouette®, Sonata®, Prelude® are trademarks of Armstrong World Industries (AWI) company.