

Date:	
Project Name:	
SKU #:	

ThinTek™ G2
Wattage and CCT Selectable Edgelit Panel



APPLICATIONS

Commercial, Retail, Institution, and Hospitality

FEATURES

Construction

- Extruded Aluminum Frame & Stamped Aluminum Housing with Integral Earthquake Clips [Option]

Finish

- White

Electrical & Technical

- Input Voltage: 100-277V
- Input Frequency: 50/60Hz
- Projected L70 > 50,000 hrs
- PF: >0.9
- CRI: >80 [Standard] Or >90* [Option]
- THD: <20%
- CCT Selectable: 3000K/3500K/4000K
- Field Adjustable Lumen Output
- Operating Temp.: -4°F ~ 122°F
- Damp Location Rated
- Integrated Driver
- 12W Emergency Inverter [Option]
- 10W Bodine Inverter [Option]

Optical

- Frosted Diffuser

Installation/Mounting

- Recessed Mounted
- Surface Mount Kit:
 - 3" Octagon [2-1/8" Deep]
 - 4" Octagon [2-1/8" Deep]
 - 4" Round [2-1/8" Deep]
 - 4" Square [2-1/8" Deep]

Controls

- 0-10V Dimming (Dims to 10%)

Recommended Dimmer List:

- Leviton: IP-710-DL
- Lutron: Diva-Dvtv

Warranty

- 5 Year Warranty
- See warranty documentation for more information.

Lumen Output

- 1'x4': 20W (2,200lm)/30W (3,300lm)/40W (4,400lm)
- 2'x2': 20W (2,200lm)/30W (3,300lm)/40W (4,400lm)
- 2'x4': 30W (3,300lm)/40W (4,400lm)/50W (5,500lm)



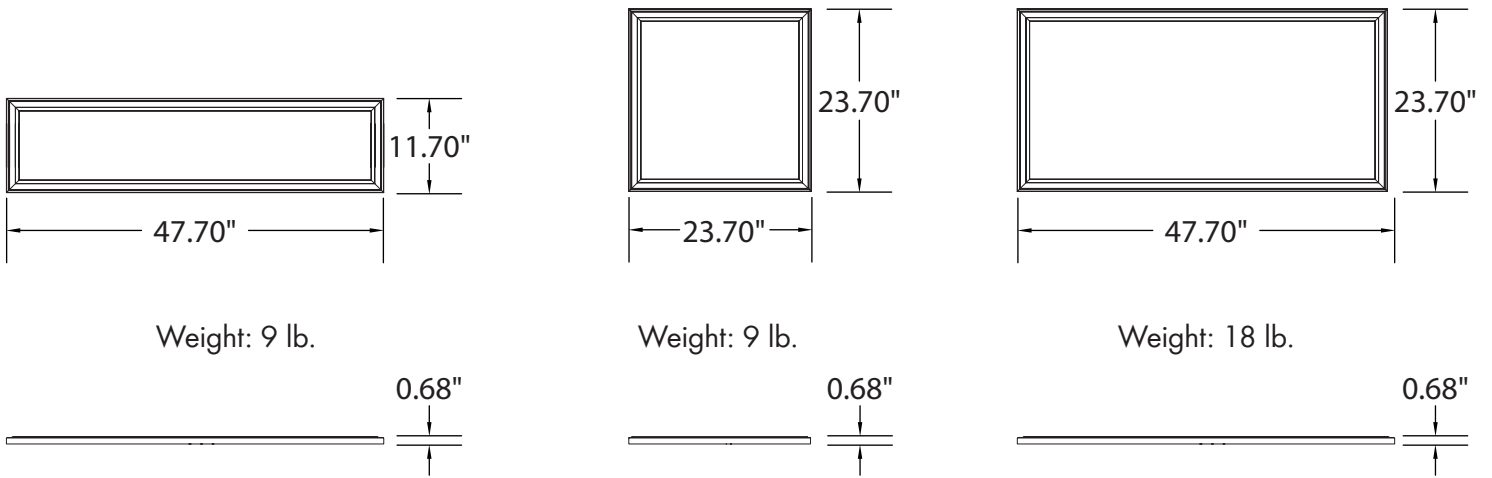
ORDERING INFORMATION EXAMPLE: 8814WS-C-T-F-SK

Edgelit Panel	Size	Wattage	CCT	Series	Diffuser	Mounting Options	CRI Option
88	14 - 1'x4' 22 - 2'x2'	WS - 20W/30W/40W	C- 3000K/3500K/4000K	T - ThinTek™	F - Frosted	RM (Recessed Mount) SK (Surface Mount Kit)	90CRI (Option*)
	24 - 2'x4'	WS - 30W/40W/50W					

Accessories

- ELIS10CDF (10W Bodine Inverter)
- TGS-15W-INT (15W Emergency Inverter)

DIMENSIONS



LUMEN OUTPUT

SKU	Size (LxW)	Wattage (W)	Delivered Lumens (lm)	Efficacy (lm/W)	Delivered Lumens (lm)	Efficacy (lm/W)	Delivered Lumens (lm)	Efficacy (lm/W)
8814WS-C-TF	1'x4'	20/30/40	2200 (20W)	110	3300 (30W)	110	4400 (40W)	110
8822WS-C-TF	2'x2'	20/30/40	2200 (20W)	110	3300 (30W)	110	4400 (40W)	110
8824WS-C-TF	2'x4'	30/40/50	3300 (30W)	110	4400 (40W)	110	5500 (50W)	110

ACCESSORIES



Surface Mount Kit
[8814-SK-T]
[8822-SK-T]
[8824-SK-T]



Recessed Mount
[RM]



Bodine Inverter
10W
(Option)
[ELIS10CDF]



Emergency Inverter 15W
(Option)
[TGS-15W-INT]