

Date:	
Project Name:	
SKU #:	

**FRW™**  
Fire Rated Wafer



**APPLICATIONS**

Residential, Commercial, Multi-Family Complex

**FEATURES**

- |   |  |
|---|--|
| <p><b>Construction</b></p> <ul style="list-style-type: none"> <li>- Aluminum and Steel Casing</li> </ul>  | <p><b>Finish</b></p> <ul style="list-style-type: none"> <li>- White Trim</li> </ul>  |
| <p><b>Electrical &amp; Technical</b></p> <ul style="list-style-type: none"> <li>- Input Voltage: 120V</li> <li>- Input Frequency: 60Hz</li> <li>- Projected Life L70: ≥ 50,000 hrs</li> <li>- PF: &gt;0.9</li> <li>- CRI: &gt;90</li> <li>- THD: &lt;20%</li> <li>- CCT Selectable: 2700K/3000K/3500K/4000K/5000K</li> <li>- Operating Temp.: -4°F ~ 113°F</li> <li>- Wet Location Rated</li> <li>- 2 Hour Fire Rating:                     <ul style="list-style-type: none"> <li>Complies with UL263 ASTM E119 &amp; CAN ULC S101</li> </ul> </li> <li>- Power Cord Length: 13.57"</li> </ul> | <p><b>Optical</b></p> <ul style="list-style-type: none"> <li>- 120° Beam Angle</li> </ul> <p><b>Installation/Mounting</b></p> <ul style="list-style-type: none"> <li>- Recessed Mount [Standard]:                     <ul style="list-style-type: none"> <li>Spring Loaded Retention Tabs</li> </ul> </li> <li>- New Construction Kit (4", 6")</li> <li>- New Construction W/ Hanger Bar (4", 6")</li> </ul> |
| <p><b>Controls</b></p> <ul style="list-style-type: none"> <li>- Triac Dimming</li> </ul> <p><b>Dimmer Compatibility List:</b></p> <p>Leviton: 6672, 6674, DSL06, RNL06, IPL06</p> <p>Lutron: TG-600PR-WH, S-600PR-WH, CTCL-153PDH-WH, TGCL-153PH-LA, SLV-600P-AL, DV-600PR-WH, SCL-153PH-WH, GT-600P, DVCL-153P, MSCL-OP153M, MACL-153M//MA-R, PD-6WCL</p>  | <p><b>Lumen Output</b></p> <ul style="list-style-type: none"> <li>• 4"/9W: 690lm</li> <li>• 6"/15W: 1,462lm</li> </ul>   |
|   | <p><b>Warranty</b></p> <ul style="list-style-type: none"> <li>- 5 Year Warranty</li> <li>See warranty documentation for more information.</li> </ul>   |

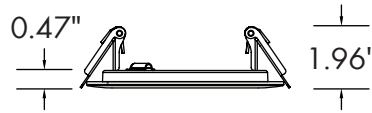
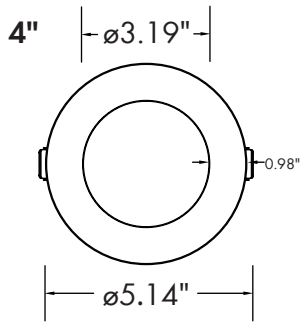


**ORDERING INFORMATION** **EXAMPLE: FRW-0409-C**

FRW		
Series	Size/Wattage	CCT
FRW	0409 - 4"/9W 0615 - 6"/15W	C - 2700K/3000K/3500K/4000K/5000K

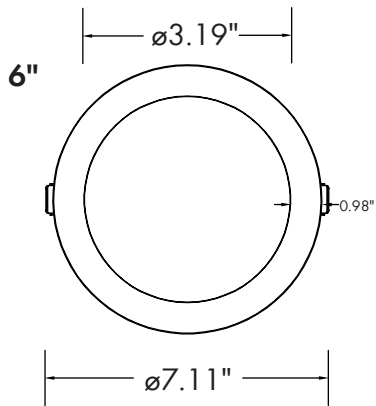
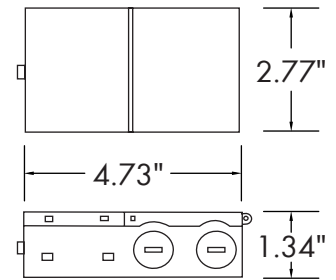
- Kit Options**
- TWRK-NC (New Construction Kit: 4", 6")
  - TWRK-NC-H (New Construction Kit W/ Hanger Bar: 4", 6")

DIMENSIONS



Driver Box [4", 6"]

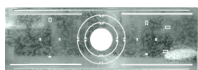
Driver Box



LUMEN OUTPUT

SKU	Size (in)	Wattage (W)	(2700K)		(3000K)		(3500K)		(4000K)		(5000K)	
			Delivered Lumens (lm)	Efficacy (lm/W)	Delivered Lumens (lm)	Efficacy (lm/W)	Delivered Lumens (lm)	Efficacy (lm/W)	Delivered Lumens (lm)	Efficacy (lm/W)	Delivered Lumens (lm)	Efficacy (lm/W)
FRW-0409-C	4	9	696	77.3	690	76.6	732	81.3	788	87.5	803	89.2
FRW-0615-C	6	15	1227	81.8	1462	97.4	1585	150.6	1666	110	1705	113.6

ACCESSORIES



New Construction Kit  
(4", 6")  
(Option)  
[TWRK-NC]



New Construction Kit  
W/ Hanger Bars  
(4", 6")  
(Option)  
[TWRK-NC-H]