

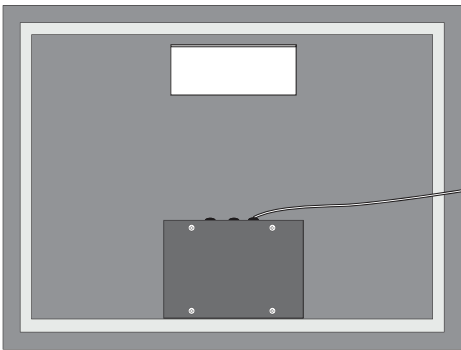
WARNING

PLEASE READ ALL INSTRUCTIONS BEFORE ATTEMPTING INSTALLATION

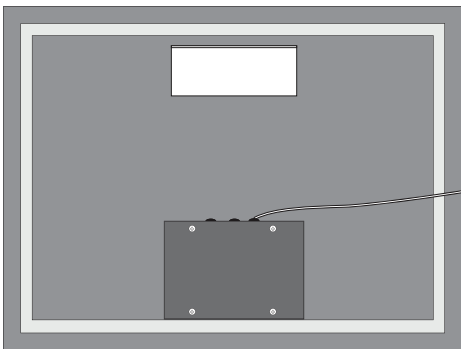
- To prevent personal injury or product damage only licensed electricians should install.
- To avoid electric shock or component damage disconnect power before attempting installation or servicing.
- This product must be installed in accordance with the national electric code (NEC) and all applicable federal, state and local electric codes and safety standards.
- Disconnect product and allow cooling prior to servicing.
- Any alteration or modification of this product is expressly forbidden as it may cause serious personal injury, death, property damage and/or product malfunction.
- To prevent product malfunction and/or electrical shock this product must be properly grounded.
- This product must be installed in accordance with the applicable installation code by a Person familiar with the construction and operation of the product and the hazards involved.
- Luminaire does not contain serviceable parts ust be replaced by manufacturer.
- Do not exceed the nominal supply voltage or amperage ratings.

Wiring

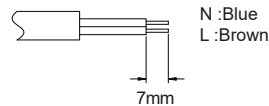
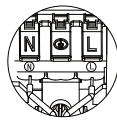
Plug-in



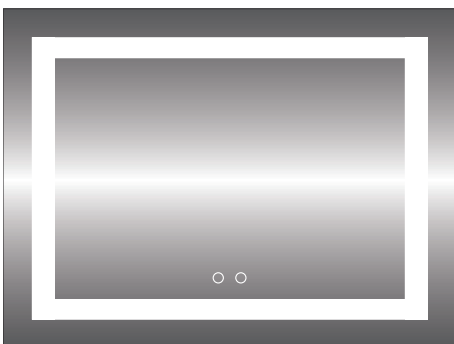
Hardwire



Additional waterproof connection box (Not Included In Packaging) is necessary for power connection to ensure the waterproof performance and safety. The connection box and terminal block in it should conform to [EN 60998-2-1](#) or [EN 60998-2-2](#).



Button Operation



1. Press: Lighting On / OFF, Adjust light color (3000K to 6000K)
2. Long press: Brightness 10%-100%-10%
3. Click Anti-fog On / OFF

Anchor Point Installation

TOOLS



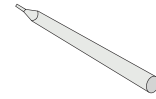
ELECTRIC DRILL



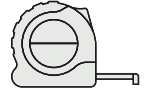
RULER



HAMMER



PENCIL



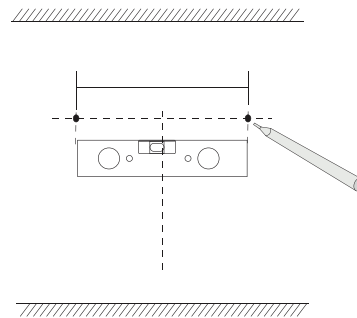
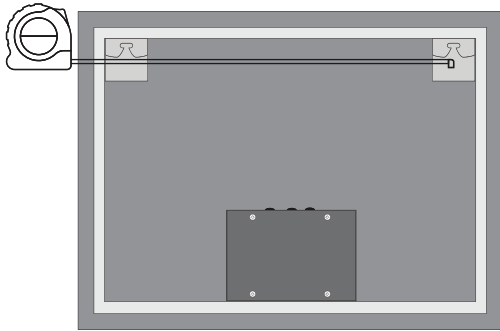
TAPE MEASURE

Step 1

Locate where you want to place the mirror.

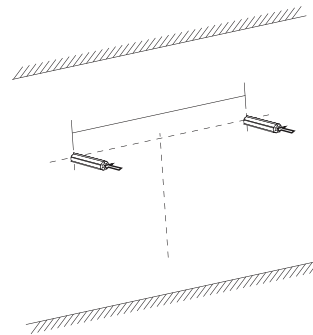
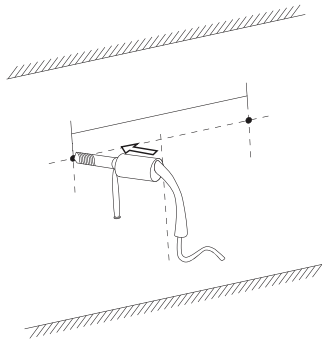
Step 2

Find center distance between the two anchor point and transfer measurements to the desired wall placement.



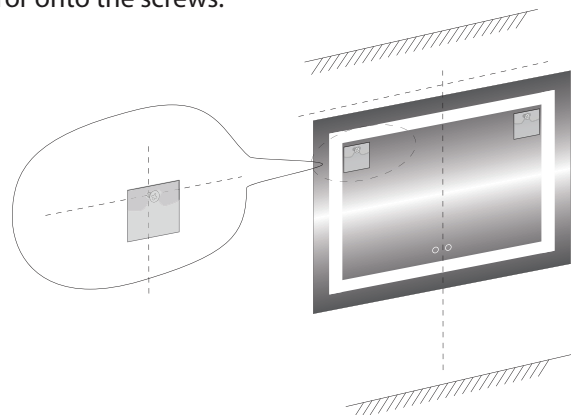
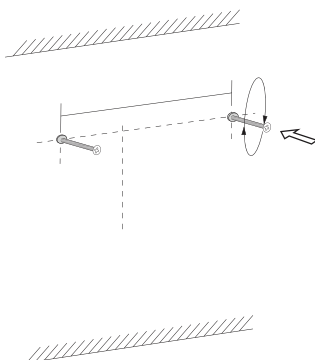
Step 3

Drill holes at the measured locations and insert wall anchors into the drilled holes



Step 4

Insert screws into the wall anchors and hang the mirror onto the screws.



Bracket Installation

TOOLS



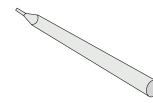
ELECTRIC DRILL



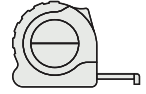
RULER



HAMMER

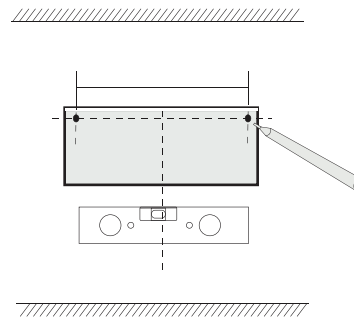
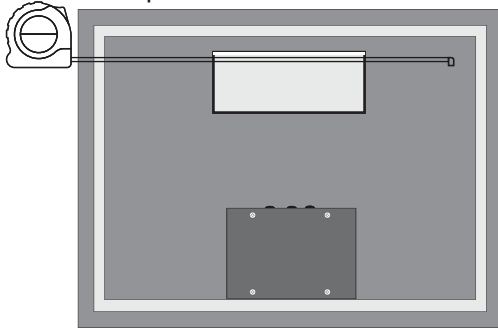


PENCIL



TAPE MEASURE

- Step 1**
Locate where you want to place the mirror.
- Step 2**
Measure the distance of the bracket from the mirror sides and transfer measurements to the desired wall placement use provided bracket anchor for drill hole placement .



- Step 3**
Drill holes at the measured locations and insert wall anchors into the drilled holes



- Step 4**
Insert L-screws into the wall anchors place the mounting bracket and hang the mirror onto the bracket.

