

Date:	
Project Name:	
SKU #:	

## ALP E2™

Adjustable Area & Site Light



## APPLICATIONS

Commercial Parking Lots, Pedestrian Pathways, Street Lighting, Site and Recreational Sports

## FEATURES

### Construction

- Rugged Die-cast Aluminum Housing

### Electrical & Technical

- Input Voltage: 120-277V  
277-480V [Option]
- Input Frequency: 50/60Hz
- Projected Life: L70 > 100,000 hrs
- PF: >0.9
- CRI: >80
- THD: <20%
- Adjustable Lumen Output
- CCT Selectable: 3000K/4000K/5000K
- Operating Temp.: -40°F ~ 113°F
- IP Rating: IP65 Fixture Enclosure
- IK Rating: IK08
- Surge Protection: 6kV [Included]  
10kV [Option]
- AUX Power 12V [Included]

### Finish

- Dark Bronze
- Black\*

### Optical

- Distribution Type:
  - Type III
  - Type IV
  - Type V

### Installation/Mounting

- Fixed Direct Pole Arm Mount [Round & Square Pole] Dark Sky Compliant [3000K]
- Adjustable Pole Arm Mount
- Trunnion Mount
- Slipfitter
- Wall Mount Bracket

### Controls

- 0-10V Dimming [Standard]
- Screw-In Bi-level Occupancy/Daylight Harvesting Sensor [Option]
- 3 Pin Receptacle with Shorting Cap [Option]
- 3 Pin Receptacle with 3 Pin Photocell [Option]
- 7 Pin Receptacle with Shorting Cap [Option]
- 7 Pin Receptacle with 7 Pin Photocell [Option]
- 7 Pin Wireless Lighting Controller Power By SYNAPSE (110V-480V) [Option]

### EPA Rating

- 80W/120W/150W [1.62ft²]
- 200W/240W/300W [2.47ft²]

### Warranty

- 5 Year Warranty
- See warranty documentation for more information.

### Lumen Output

- See Page 3



Dark Sky Friendly  
(Zero Uplight/ 3000K/  
Fixed Arm Mount Only)



## ORDERING INFORMATION

EXAMPLE: ALPE2-S-L-C-3-U-AM-D-D0

Series	Size	Wattage	CCT	Distribution	Input Voltage	Mount	Finish
ALPE2	S - Small	L - 80W/120W/150W	C - 3000K/4000K/5000K	3 - Type III 4 - Type IV 5 - Type V	U - 120-277V H - 277-480V	FM (Fixed Arm Pole Mount [Round and Square]) AM (Adjustable Pole Mount [Round and Square]) SF (For Slipfitter) TR (Trunnion) WM (Wall Mount Bracket)	D - Dark Bronze B - Black*
	M - Medium	L - 200W/240W/300W					

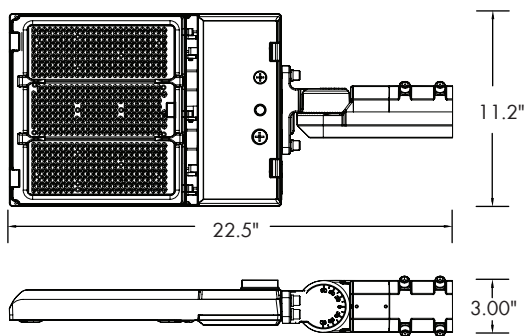
### Controls Option

- D0 (0-10V Dimming Without Control Sensors)
- D1-3SC (3 Pin Receptacle W/Shorting Cap)
- D1-3PC (3 Pin Receptacle W/On/Off Photocell)
- D1-7SC (7 Pin Receptacle W/Shorting Cap)
- D1-7PC (7 Pin Receptacle W/On/Off Photocell)
- D4 (Screw-In Bi-level Occupancy/Daylight Harvesting Sensor)
- TL7-HVG (110-480V Wireless Lighting Controller Power By SYNAPSE)

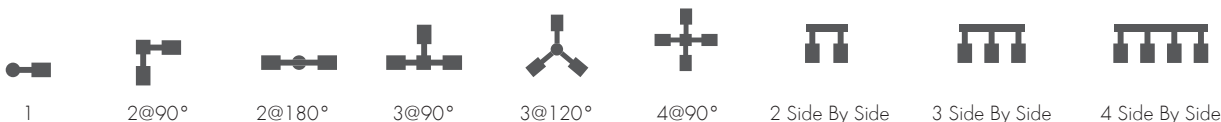
### Accessories

- SP-U-10kV (10kV/10kA Surge Protection [120-277V])
- SP-H-10kV (10kV/10kA Surge Protection [277-480V])
- ALPE2-S-RLS (Reversible Light Shield [80W~150W])
- ALPE2-M-RLS (Reversible Light Shield [200W~300W])
- RC-02 (Remote Commissioning Tool)

TECHNICAL DETAIL

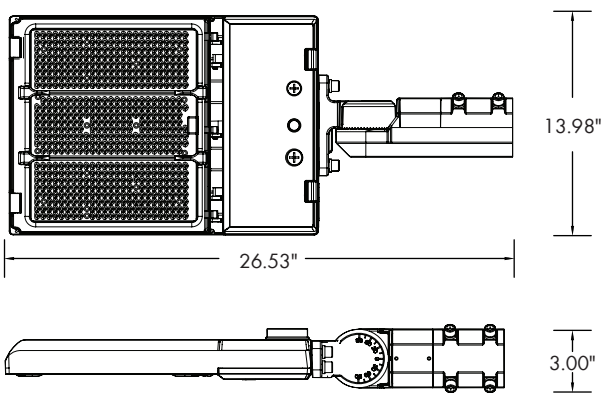


Wattage	3000K	4000K	5000K
80W	125lm/W	140lm/W	150lm/W
120W	125lm/W	140lm/W	150lm/W
150W	125lm/W	140lm/W	150lm/W

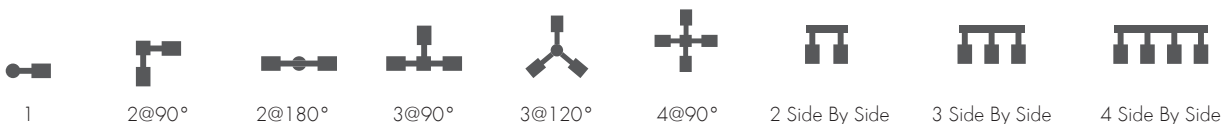


Configuration

EPA (ft²)	1	2@90°	2@180°	3@90°	3@120°	4@90°	2 Side By Side	3 Side By Side	4 Side By Side
EPA (ft²)	0.37	0.63	0.73	1.004	1.11	1.004	0.451	0.621	0.901
Weight (lb.)	11.66	23.32	23.32	34.98	34.98	46.64	23.32	34.98	46.64



Wattage	3000K	4000K	5000K
200W	125lm/W	140lm/W	150lm/W
240W	125lm/W	140lm/W	150lm/W
300W	125lm/W	140lm/W	150lm/W



Configuration

EPA (ft²)	1	2@90°	2@180°	3@90°	3@120°	4@90°	2 Side By Side	3 Side By Side	4 Side By Side
EPA (ft²)	0.44	0.754	0.867	1.194	1.320	1.194	0.536	0.804	1.072
Weight (lb.)	15.07	30.14	30.14	45.21	45.21	60.28	30.14	45.21	60.28

PERFORMANCE TABLE

Lumen Output

Lumen value are from photometric test performed in accordance with IESNA LM-70-08. Data is considered to be representative of the configurations shown, within the tolerances allowed by Lighting Facts Contact factory for performance data on any configurations not shown here.

Performance Data:

System Watts	Dist. Type	3000K				4000K				5000K			
		Lumens	B	U	G	Lumens	B	U	G	Lumens	B	U	G
80W	3	11543	3	0	3	12386	3	0	3	12229	3	0	3
	4	11488	3	0	3	12344	3	0	3	12213	3	0	3
	5	11778	3	0	2	12709	4	0	2	12540	4	0	2
120W	3	17081	3	0	3	18964	3	0	3	16720	3	0	3
	4	17037	3	0	3	18912	3	0	3	16770	3	0	3
	5	17572	4	0	2	19529	4	0	2	17085	4	0	2
150W	3	18460	3	0	3	20874	4	0	4	19809	3	0	3
	4	18375	3	0	3	20539	3	0	3	19538	3	0	3
	5	18844	4	0	2	20994	4	0	2	19528	4	0	2
200W	3	28318	4	0	3	30979	4	0	3	30028	4	0	4
	4	28913	4	0	3	31387	4	0	3	30719	4	0	4
	5	28845	4	0	3	31581	5	0	3	30258	5	0	5
240W	3	32931	4	0	3	36572	4	0	4	34981	4	0	4
	4	33297	4	0	3	37110	4	0	3	35657	4	0	4
	5	33428	5	0	3	37293	5	0	3	35347	5	0	5
300W	3	36954	4	0	4	41451	5	0	4	39458	4	0	4
	4	37545	5	0	3	41937	5	0	4	40200	4	0	5
	5	37609	5	0	3	42419	5	0	3	40276	5	0	5

ACCESSORIES



Fixed Pole Arm Mount [FM]



Adjustable Pole Arm Mount [AM]



Slipfitter [SF]



Wall Mount Bracket [WM]



Trunnion [TR]



Reversible Light Shield [ALPE2-S-RLS] [ALPE2-M-RLS]



Photocell [D1]



7 Pin Wireless Lighting Controller Powered By SYNAPSE [TL7-HVG]



Screw-In Bi-Level Occupancy/Daylight Harvesting Sensor [D4]



Remote Commissioning Tool (Sold Separately) [RC-02]

WIRELESS CONTROL SYSTEM

POWERED BY



- Utility grade power monitoring.
- WiFi Mesh Receiver Nodes.
- Communication range is up to 1 mile line of sight.
- Control dimming and On/Off.
- Secure, over-the-air software upgrades.



- Manual/Remote/Web access to Nodes.
- Control up to 1000 Nodes.
- Weather protected.
- Optional, pre-configured 5 button switch to allow for control of all lighting (Central Base Station only).



Central Control Base Station (Optional)

or



SimplySnap Controller



WiFi or LAN Network with browser based control interface



Optional Cloud Control with Verizon 4G LTE