

Date:	
Project Name:	
SKU #:	

Disk Downlight
Flush Mount



APPLICATIONS

Residential, Commercial, Multi-Family Complex

FEATURES

Construction

- Iron Shell Housing

Finish

- White

Electrical & Technical

- Input Voltage: 120VAC
- Input Frequency: 60Hz
- Projected Life: L70 > 50,000 hrs
- PF: >0.9
- CRI: >90
- THD: <20%
- CCT: 3000K, 4000K, or 5000K
- Operating Temp.: -4°F ~ 122°F
- Wet Location Rated

Optical

- 120° Beam Angle

Installation/Mounting

- Flush Mount:
 - 2.75" J-Box [4" or 8"Disk]
 - 3.5" J-Box

Controls

- Triac Dimming

Compliance

- JA8 TITLE 24 Compliant

Dimmer Compatibility List:

Leviton: 6672, 6674, DSL06, PD-6WCL, MACL-153M/MA-R
 Lutron: TG-600PR-WH, S-600PR-WH, CTCL-153PDH-WH, TGCL-153PH-LA, SLV-600P-AL, DV-600PR-WH, SCL-153PH-WH, GT-600P, DVCL-153P, RNL06, MSCL-OP153M, IPL06

Lumen Output

- 4"/10W: 617lm
- 6"/15W: 1,126lm
- 8"/18W: 1,356lm

Warranty

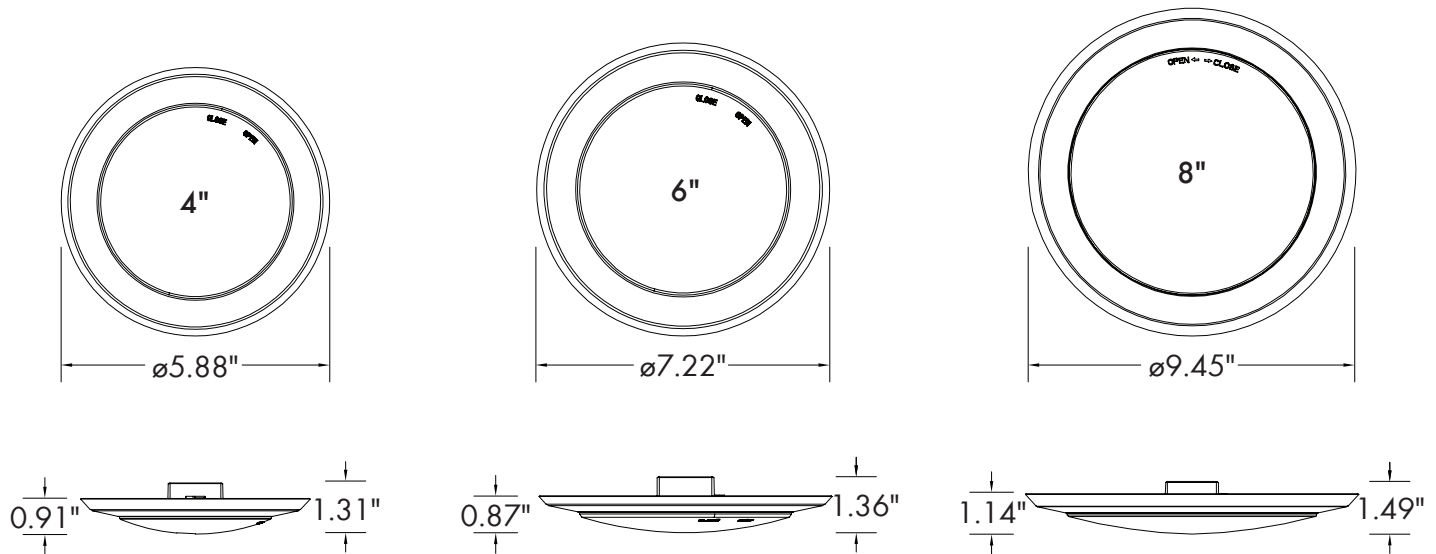
- 5 Year Warranty
 See warranty documentation for more information.



ORDERING INFORMATION **EXAMPLE: DDR-0410-40**

Series	Size/Wattage	CCT
DDR	0410 - 4"/10W 0615 - 6"/15W 0818 - 8"/18W	30 - 3000K 40 - 4000K 50 - 5000K

DIMENSIONS



LUMEN OUTPUT

SKU	Size (in)	Wattage (W)	(4000K)	
			Delivered Lumens (lm)	Efficacy (lm/W)
DDR-0410-40	4	10	617	61
DDR-0615-40	6	15	1126	75
DDR-0818-40	8	18	1356	75