

Date:	
Project Name:	
SKU #:	

**Impakt™ XS**  
Architectural Floodlight



**APPLICATIONS**

Commercial Parking Lots, Pedestrian Pathways, Street Lighting

**FEATURES**

**Construction**

- Rugged Die-cast Aluminum Housing
- High Impact PC Injection Lens with Rubber Seal Ensuring IP65 Rating.

**Finish**

- Dark Bronze [Standard]
- Matte White\*
- Matte Black\*
- Matte Gray\*

**Electrical & Technical**

- Input Voltage: 120-277VAC
- Input Frequency: 50/60Hz
- Projected Life: L70 > 50,000 hrs
- PF: >0.9
- CRI: 70
- THD: <20%
- CCT: 3000K, 4000K, 5000K, or 5700K
- Operating Temp.: -40°F ~ 104°F
- IP Rating: IP65 Enclosure
- 10kV Surge Protection [Option]

**Optical**

- Distribution Type:
  - NEMA5 [H5V5]
  - NEMA7 [H7V6]

**Installation/Mounting**

- Knuckle Mount (½ thread)
- Trunnion

**Controls**

- 0-10V Dimming [Standard]
- Button Photocell [Option]

**Lumen Output**

- 20W: 2700lm
- 30W: 4050lm

**Warranty**

- 5 Year Warranty  
See warranty documentation for more information.

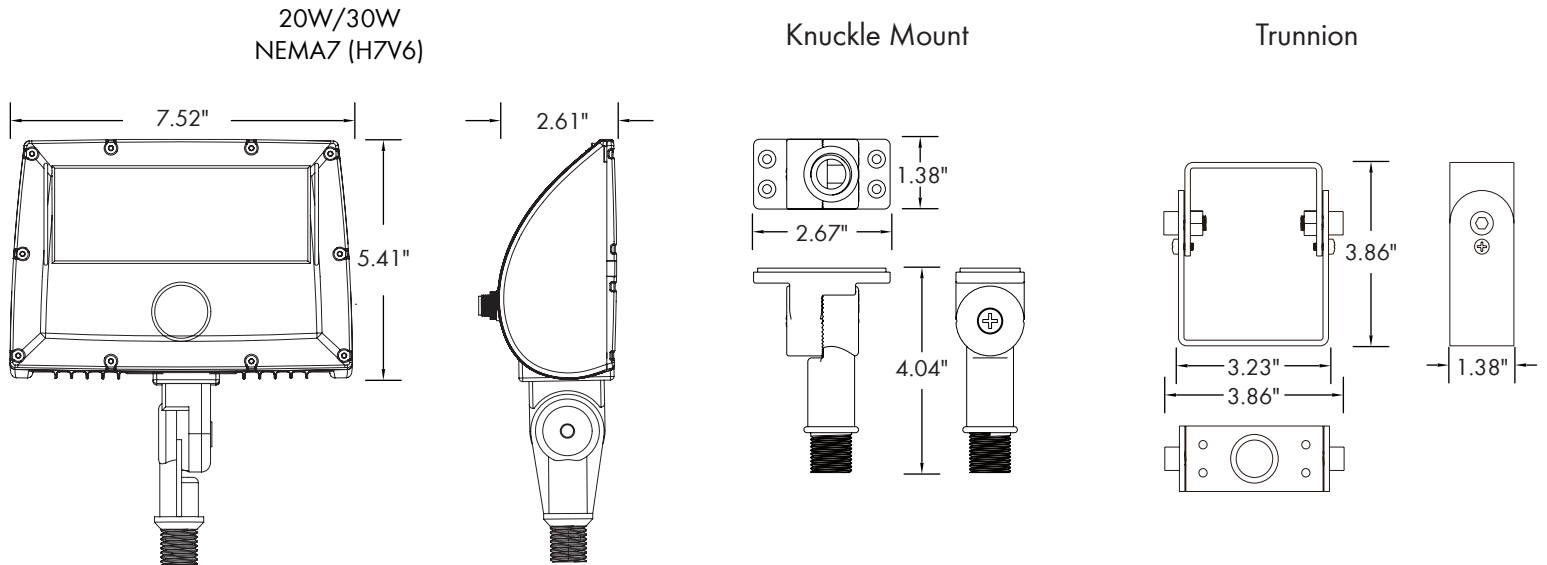


**ORDERING INFORMATION** **EXAMPLE: IPF-XS-20-50-U-D0-D-07-KN-BAA**

Series	Size	Wattage	CCT	Input Voltage	Controls Option	Finish	Distribution	Mount	BAA
IPF	XS - Extra Small	20 - 20W 30 - 30W	30 - 3000K 40 - 4000K 50 - 5000K 57 - 5700K	U - 120-277VAC	D0 (Without Control Sensors) PH (Button Photocell)	D - Dark Bronze G - Matte Gray* B - Matte Black* W - Matte White*	05 - NEMA5 [H5V5] 07 - NEMA7 [H7V6]	KN - Knuckle Mount TR - Trunnion	BAA

Accessories
IPF-XS-TV (Top Visor)
IPF-XS-BV (Bottom Visor)
IPF-XS-WG (Wire Guard)
IPF-SP10 (Surge Protection 10kV/5kA)

DIMENSIONS



Weight: 5.5 lb.

LUMEN OUTPUT

SKU	Size	Wattage (W)	Delivered Lumens (lm)	Efficacy (lm/W)
IPF-XS-20-50-U-D0-D-07-KN-BAA	Extra Small	20	2700	135
IPF-XS-30-50-U-D0-D-07-KN-BAA	Extra Small	30	4050	135

ELECTRICAL LOAD

Wattage (W)	Current (A)					
	120V	208V	240V	277V	347V	480V
20	0.16	0.09	0.08	0.07	-	-
30	0.25	0.14	0.12	0.10	-	-

ACCESSORIES



Knuckle Mount  
(1/2" Thread)  
[KN]



Trunnion  
[TR]



Top Visor  
[IPF-XS-TV]



Bottom Visor  
[IPF-XS-BV]



Wire Guard  
[IPF-XS-WG]



Button Photocell  
[Factory Installed]  
[PH]