

Date:	
Project Name:	
SKU #:	

**Disk Downlight**  
Flush Mount



**APPLICATIONS**

Residential, Commercial, Multi-Family Complex

**FEATURES**

**Construction**

- Iron Shell Housing

**Finish**

- White

**Electrical & Technical**

- Input Voltage: 120VAC
- Input Frequency: 60Hz
- Projected Life: L70 > 50,000 hrs
- PF: >0.9
- CRI: >90
- THD: <20%
- CCT Selectable: 2700K/3000K/3500K/4000K/5000K
- Operating Temp.: -4°F ~ 122°F
- Wet Location Rated

**Optical**

1- 120° Beam Angle

**Installation/Mounting**

- Flush Mount:
  - 2.75" J-Box [4" or 8"Disk]
  - 3.5" J-Box

**Controls**

- Triac Dimming

**Compliance**

- JA8 TITL 24 Compliant

**Dimmer Compatibility List:**

Leviton: 6672, 6674, DSL06, PD-6WCL, MACL-153M/MA-R  
 Lutron: TG-600PR-WH, S-600PR-WH, CTCL-153PDH-WH, TGCL-153PH-LA, SLV-600P-AL, DV-600PR-WH, SCL-153PH-WH, GT-600P, DVCL-153P, RNL06, MSCL-OP153M, IPL06

**Lumen Output**

- 4"/10W: 617lm
- 6"/15W: 1,126lm
- 8"/18W: 1,356lm

**Warranty**

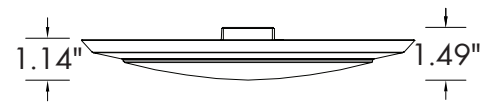
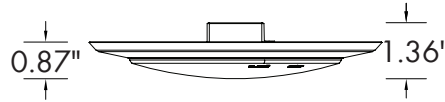
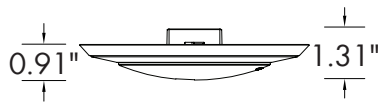
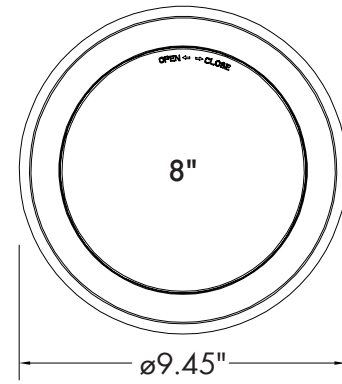
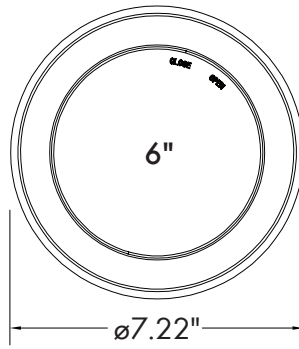
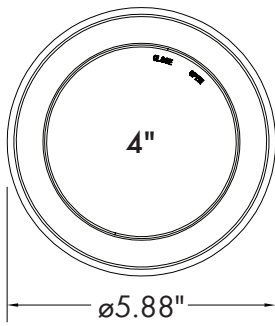
- 5 Year Warranty  
 See warranty documentation for more information.



**ORDERING INFORMATION** **EXAMPLE: DDR-0410-5CCT**

Series	Size/Wattage	CCT
DDR	0410 - 4"/10W 0615 - 6"/15W 0818 - 8"/18W	5CCT - 2700K/3000K/3500K/4000K/5000K

## DIMENSIONS



Field Adjustable  
CCT Selection Switch

## LUMEN OUTPUT

SKU	Size (in)	Wattage (W)	(2700K)		(3000K)		(3500K)		(4000K)		(5000K)	
			Delivered Lumens (lm)	Efficacy (lm/W)	Delivered Lumens (lm)	Efficacy (lm/W)	Delivered Lumens (lm)	Efficacy (lm/W)	Delivered Lumens (lm)	Efficacy (lm/W)	Delivered Lumens (lm)	Efficacy (lm/W)
DDR-0410-5CCT	4	10	540	54	591	59	614	61	617	61	586	58
DDR-0615-5CCT	6	15	923	62	970	64	1098	73	1126	75	1023	68
DDR-0818-5CCT	8	18	1218	67	1247	69	1303	72	1356	75	1298	72