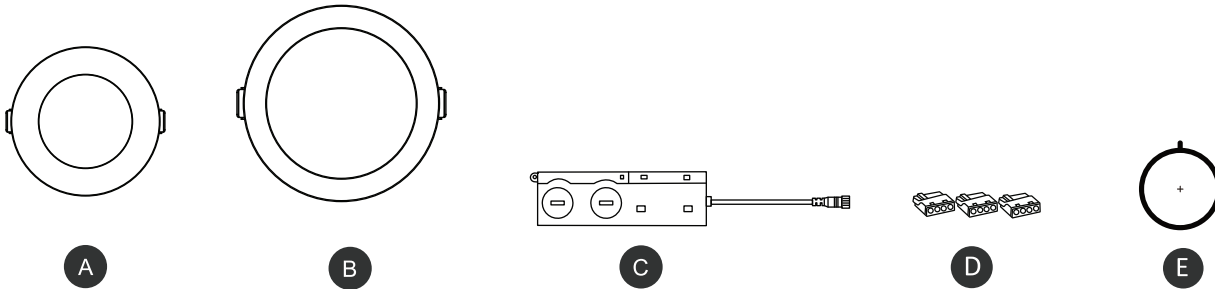


WARNING

PLEASE READ ALL INSTRUCTIONS BEFORE ATTEMPTING INSTALLATION

- To prevent personal injury or product damage only licensed electricians should install.
- To avoid electric shock or component damage disconnect power before attempting installation or servicing.
- This product must be installed in accordance with the national electric code (NEC) and all applicable federal, state and local electric codes and safety standards.
- Disconnect product and allow cooling prior to servicing.
- Any alteration or modification of this product is expressly forbidden as it may cause serious personal injury, death, property damage and/or product malfunction.
- To prevent product malfunction and/or electrical shock this product must be properly grounded.
- This product must be installed in accordance with the applicable installation code by a person familiar with the construction and operation of the product and the hazards involved.
- The device is not intended for use with emergency exit.
- Suitable for wet location.
- Tested and Approved for 2 - Hour Fire Rating.



Packaging Contents

PART	Description	QUANTITY	PART	Description	QUANTITY
A	4 inch FRW Fire Rated Wafer	1	B	6 inch FRW Fire Rated Wafer	1
C	J-Box Driver	1	C	J-Box Driver	1
D	Connector	3	D	Connector	3
E	Hole Cutout Template Card	1	E	Hole Cutout Template Card	1

Dimmer Compatibility List

This unit may operate on other dimmers, have not been tested. Input 120V, 60Hz

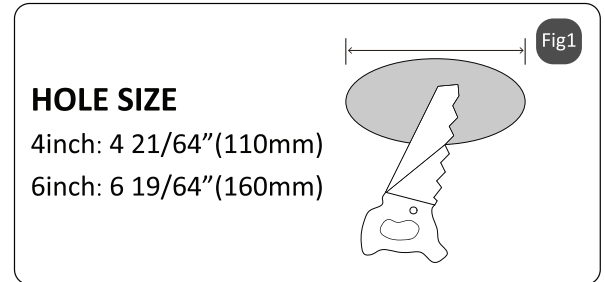
LEVITON	6672, RNL06, IPL06,DSL06, 6674
LUTRON	TG-600PR-WH, S-600PR-WH,CTCL-153PDH-WH, TGCL-153PH-LA, SLV-600P-AL, DV-600PR-WH, SCL-153PH-WH, GT-600P, DVCL-153P,MSCL-OP153M, PD-6WCL , MACL-153M//MA-R

Installation

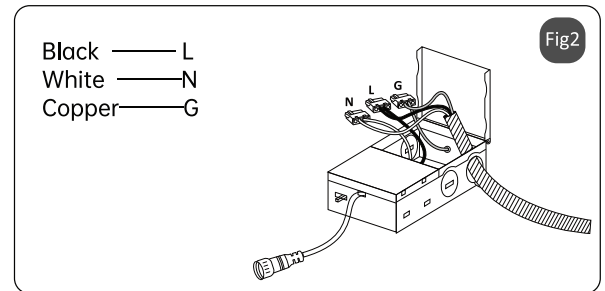
MAKE SURE THE TO TURN OFF THE POWER AT THE BREAKER OR FUSE BOX

- Locate a suitable position to place the fixture and create a opening in accordance to the hole cutout template. (Refer to hole cutout table for appropriate size.)
- Run electrical wire from the switch (power supply) through the mounting hole: Use nmd990 romex or bx cable.

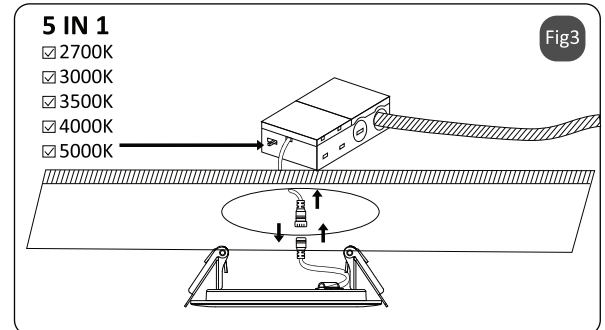
Step 1: Turn off the power before installation. Remove the existing fixture, if applicable. Determine the location and necessary hole cutout diameter using the supplied table and cut the ceiling hole with listed approximate diameter, See Fig.1.



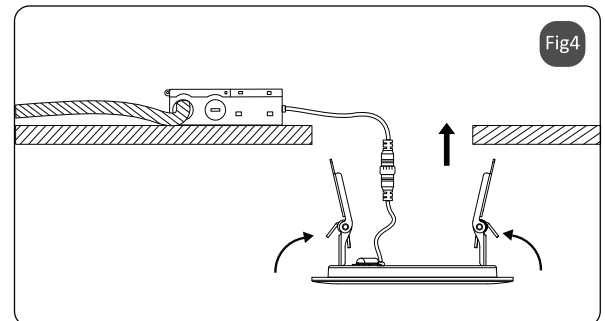
Step 2: Open the J-box cover and remove the appropriate knockout(s) on the side panel. Install the appropriate cable clamp(s) [not include] and insert the electrical supply cable through the cable clamp. Connect the supply wires to the fixture wires by using 3 connectors. Attach white to white, black to black, copper to ground wire, See Fig.2.



Step 3: Insert J-box through the mounting hole and secure it, connect the fixture power cable to the J-box. Select desire lamp color with the CCT switch, See Fig.3.



Step 4: Push the spring-load clips into the mounting hole upwards and insert the fixture through it. Release the clips and the fixture will be pulled flush to the ceiling, See Fig.4.



Step 4: Turn on the power after installation, check the fixture is functioning. See Fig.5.

