

WARNING

PLEASE READ ALL INSTRUCTIONS BEFORE ATTEMPTING INSTALLATION

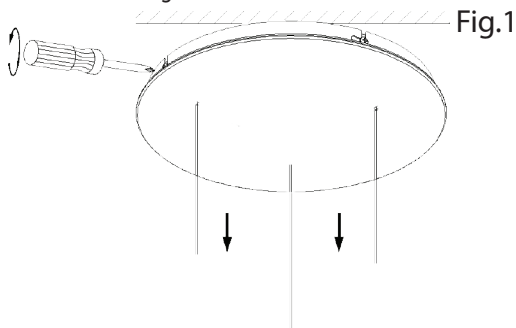
- To prevent injury or product damage only licensed electricians should install.
- To avoid electric shock or component damage disconnect power before attempting installation or servicing.
- This product must be installed in accordance with the National Electric Code (NEC) and all applicable federal, state and local electric codes and safety standards.
- Any alteration or modification of this product is expressly forbidden as it may cause serious personal injury, death, property damage and/or product malfunction.
- To prevent product malfunction and/or electrical shock this product must be properly grounded.
- This luminaire is designed to operate in ambient temperatures ranging from -20°C to 40°C.
- This product must be installed in accordance with the applicable installation code by a Person familiar with the construction and operation of the product and the hazards involved.
- Ensure all terminal connections are secure and not loose.
- Please read this installation instruction guide thoroughly before installations. Save for future reference

Installation

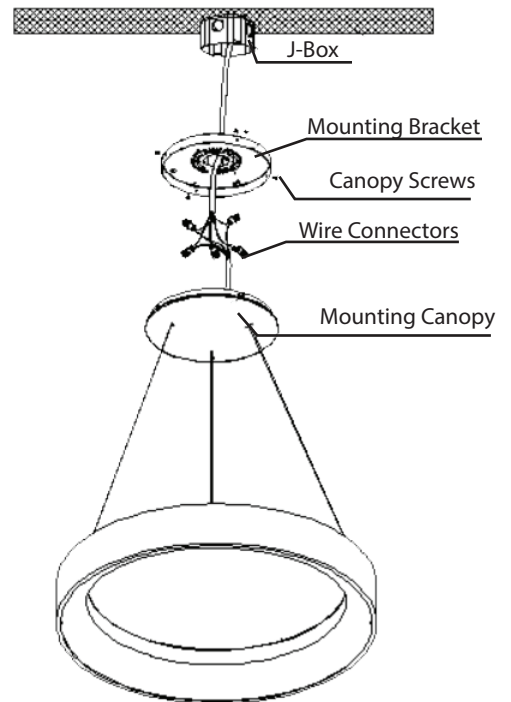
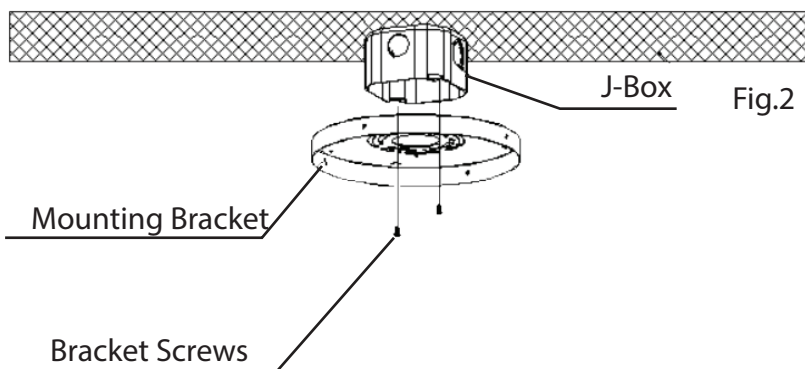
Suspended Mount

Step 1. Shut "OFF" the power from the circuit breaker or main fuse box.
Wall switch to the "OFF" position for the intend room which is to control the fixture.

Step 2. Use Screw driver to release the Screws between Mounting Canopy and Bracket from side. See Fig.1

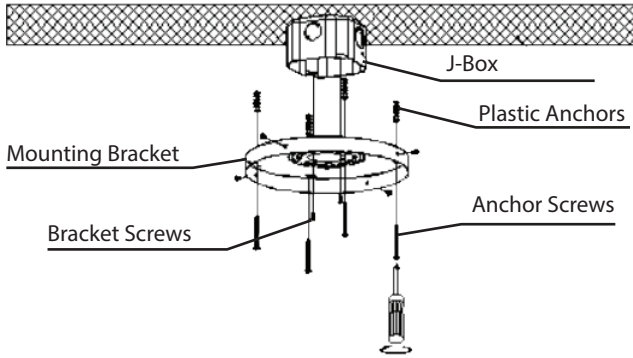


Step 3. Remove Plastic Pin, drill 4 (8mm) holes on the ceiling according the Mounting Bracket. Insert the expansion bolts in the holes. (Use 2 pcs M4x25mm screws to secure the Mounting Bracket with the J-Box), See Fig. 2

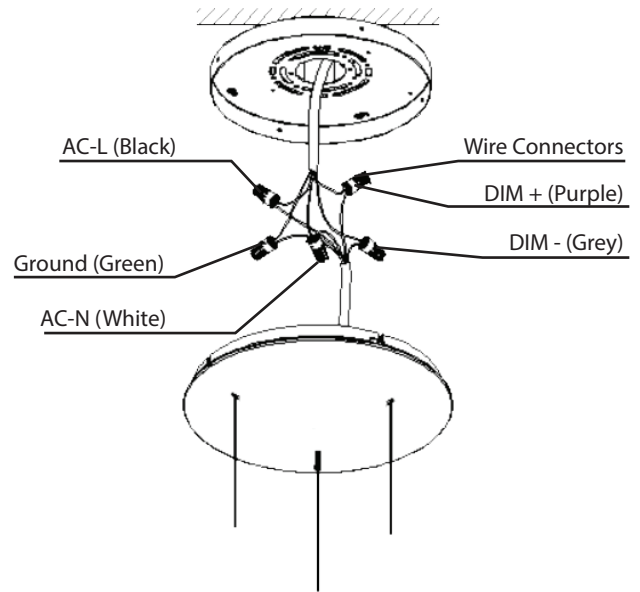


Step 4. Use 4 pcs M4x25 Self-Tapping Screw to secure the Mounting Bracket on to the ceiling.

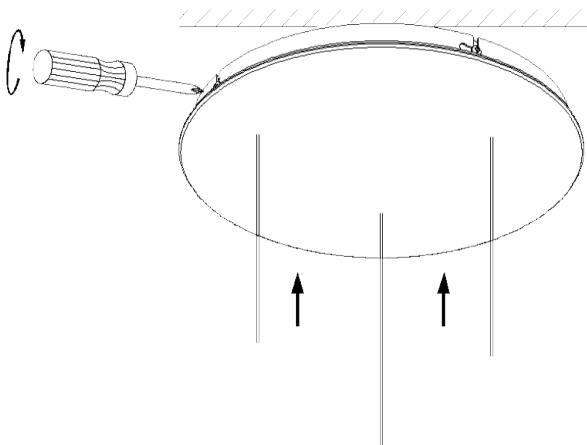
ATTENTION: Must secure mounting plate at all connection points (Junction box plus four outer point for small and medium size, or six outer pint for large size) to support fixture weight appropriately. Not using all the mounting point could result in damaging fixture and voiding product warranty.



Step 5. Use wire connectors L, N, B, DIM+, DIM - wires. After making the connections place the wires with connectors into the J-Box.



Step 6. Adjust the fixture safety cable and Aircraft cable length, use Screw to fix with Mounting Bracket and Mounting Canopy. Then loosen all the cables.



Step 7. Ensure that the fixture is secure. Turn on the power at breaker box or main fuse box. The fixture should illuminate if wired properly.

