



COMBINED FAMILY SPECIFICATION

THINTEK™ MINI S

Field Selectable Low Profile Surface Mount Square Downlight

ThinTek™ Mini S - 3CCT Selectable 120V Downlight

ThinTek™ Mini S - 120-277V Downlight

Date:	
Project Name:	
SKU #:	

ThinTek™ Mini S
Surface Mount Downlight



APPLICATIONS

Residential, Commercial, Multi-Family Complex,

FEATURES

Construction

- Injection Molded PC Housing
- Integrated Driver with Short Circuit Protection

Finish

- White Trim [Standard]
- Satin Nickel Trim
- Matte Black Trim
- Chrome Trim
- [Trim Options Sold Separately]

Electrical & Technical

- Input Voltage: 120V
- Input Frequency: 60Hz
- Projected L70: > 60,000 hrs
- PF: >0.9
- CRI: >80 or >90 [Option]
- THD: <20%
- CCT Selectable: 3000K/4000K/5000K
- Operating Temp.: -4°F ~ 104°F
- Damp Location Rated

Optical

- Edge-lit
- 110° Beam Angle

Installation/Mounting

- Surface Mounted
- Recessed Housing Mounting:
 - Torsion Clip Kit Mounting (4")
 - Friction Clip Kit Mounting (5"/6")

Controls

- Triac Dimming

Compliance

- JA8 TITLE 24 Compliant at 90CRI

Dimmer Compatibility List:

Leviton: 6672-1LW
Lutron: : MACL-153MR-WH, SCL-153P-WH, PD-6WCL-WH, CTCL-153P-WH, MSCL-OP153M-WH, DVCL-153P-WH

Lumen Output

- 6"/12W: 1,000lm
- 8"/18W: 1,530lm
- 12"/24W: 2,160lm

Warranty

- 36,000 Hours Warranty
- See warranty documentation for more information.

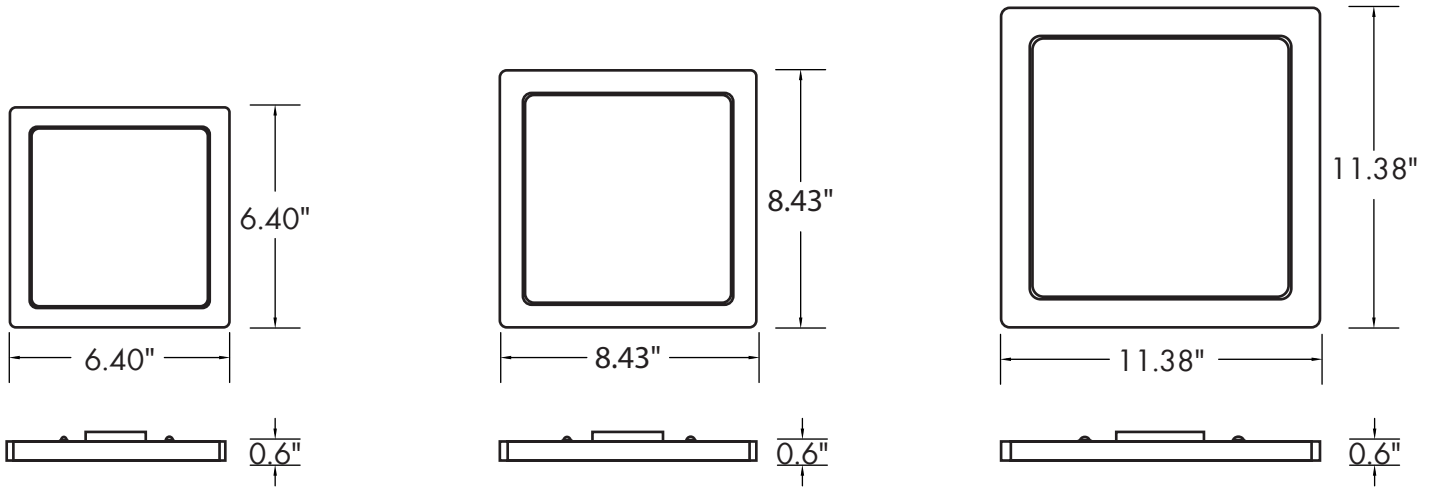


ORDERING INFORMATION **EXAMPLE: 881224-S-TM-CC**

88					
Round Panel	Size/Wattage	Shape/Type	Series	CCT	CRI
88	0612 - 6"/12W 0818 - 8"/18W 1224 - 12"/24W	S - Square	TM - ThinTek™ Mini	CC - 3000K/4000K/5000K	90CRI [Option]
			Trim Finish Options		Mounting Options
			8806-S (6" Trim) 8808-S (8" Trim) 8812-S (12" Trim)	BL (Matte Black) SN (Satin Nickel) CH (Chrome)	88-TC-S (5"/6" Torsion Clip Retrofit Kit)

[Choose Trim Size and Finish]
Example: 8806-S-BL

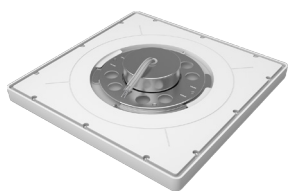
DIMENSIONS



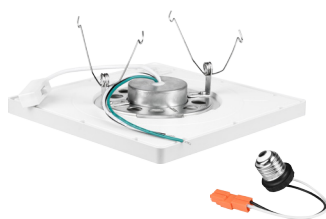
LUMEN OUTPUT

SKU	Size (in)	Wattage (W)	Delivered Lumens (lm)	Efficacy (lm/W)
880612-S-TM-CC	6	12	1000	80
880818-S-TM-CC	8	18	1530	85
881224-S-TM-CC	12	24	2160	90

ACCESSORIES



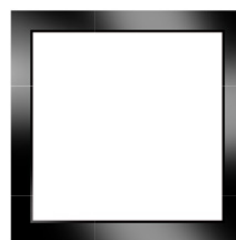
Flush Mount
(Standard)



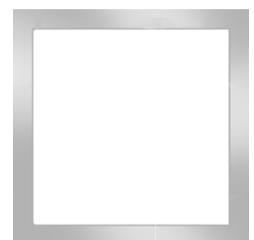
Torsion Clip
Retrofit Kit
(5"/6" Recessed Housing)
88-TC-S



Satin Nickel Trim
(Option)
[SN]



Matte Black Trim
(Option)
[BK]



Chrome Trim
(Option)
[CH]

Date:	
Project Name:	
SKU #:	

ThinTek™ Mini S
Surface Mount Downlight



APPLICATIONS

Residential, Commercial, Multi-Family Complex,

FEATURES

Construction

- Injection Molded PC Housing
- Integrated Driver with Short Circuit Protection

Finish

- White Trim [Standard]
- Satin Nickel Trim
- Matte Black Trim
- Chrome Trim
- [Trim Options Sold Separately]

Electrical & Technical

- Input Voltage: 100-277V
- Input Frequency: 50/60Hz
- Projected L70: > 60,000 hrs
- PF: >0.9
- CRI: >80 or >90 [Option]
- THD: <20%
- CCT: 3000K, 4000K, 5000K
- Operating Temp.: -4°F ~ 104°F
- Damp Location Rated

Optical

- Edge-lit
- 110° Beam Angle

Installation/Mounting

- Surface Mounted
- Recessed Housing Mounting:
 - Torsion Clip Kit Mounting (4")
 - Friction Clip Kit Mounting (5"/6")

Controls

- 0-10V Dimming

Compliance

- JA8 TITLE 24 Compliant at 90CRI

Dimmer Compatibility List:

Leviton: IP710-DLZ
Lutron: DDTV, NFTV, NTSTV-DV

Lumen Output

- 6"/12W: 1,000lm
- 8"/18W: 1,530lm
- 12"/24W: 2,160lm

Warranty

- 36,000 Hours Warranty
- See warranty documentation for more information.



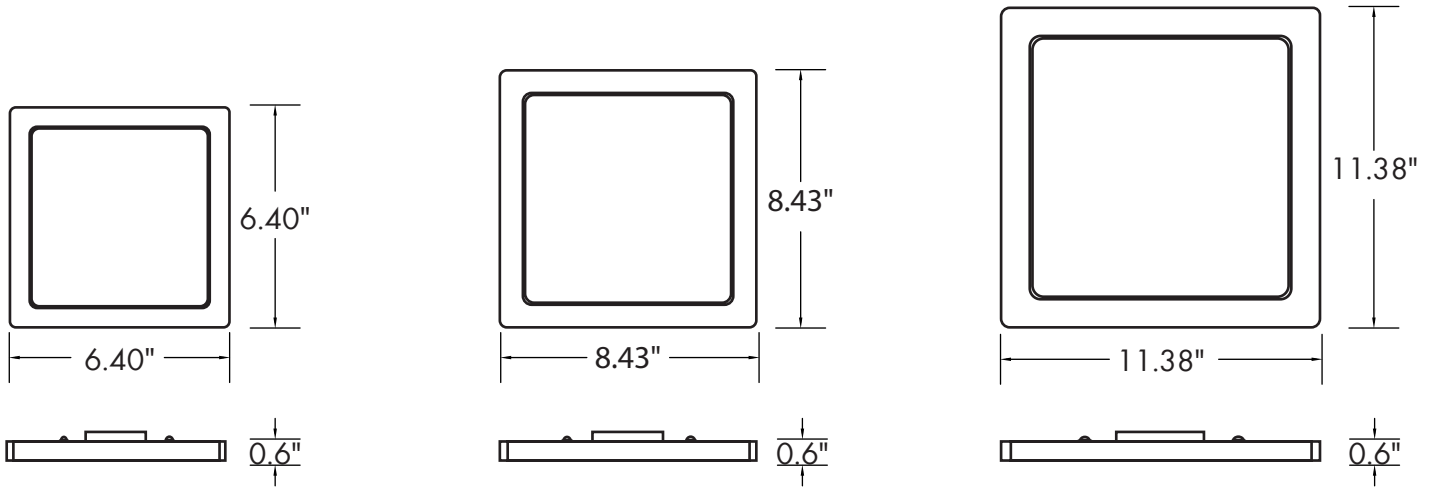
ORDERING INFORMATION **EXAMPLE: 881224-S-TM-40-U-D**

Panel	Size/Wattage	Shape/Type	Series	CCT	Input Voltage	Dimming	CRI
88	0612 - 6"/12W 0818 - 8"/18W 1224 - 12"/24W	S - Square	TM - ThinTek™ Mini	30 - 3000K 40 - 4000K 50 - 5000K	U - 100-277V	D - 0-10V Dimming	90CRI [Option]

Trim Finish Options		Mounting Options
8806-S (6" Trim)	BL (Matte Black)	88-TC-S (5"/6" Torsion Clip Retrofit Kit)
8808-S (8" Trim)	SN (Satin Nickel)	
8812-S (12" Trim)	CH (Chrome)	

[Choose Trim Size and Finish]
Example: 8806-S-BL

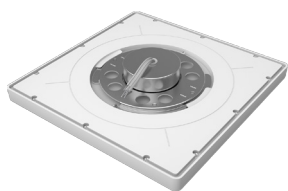
DIMENSIONS



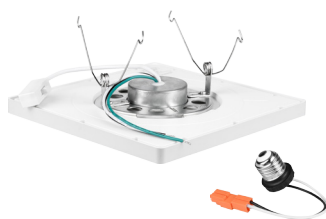
LUMEN OUTPUT

SKU	Size (in)	Wattage (W)	Delivered Lumens (lm)	Efficacy (lm/W)
880612-S-TM-40-U-D	6	12	1000	80
880818-S-TM-40-U-D	8	18	1530	85
881224-S-TM-40-U-D	12	24	2160	90

ACCESSORIES



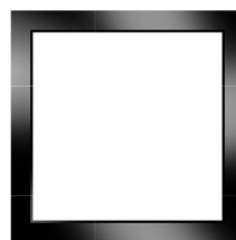
Flush Mount
(Standard)



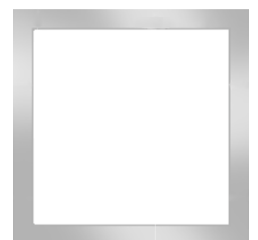
Torsion Clip
Retrofit Kit
(5"/6" Recessed Housing)
88-TC-S



Satin Nickel Trim
(Option)
[SN]



Matte Black Trim
(Option)
[BK]



Chrome Trim
(Option)
[CH]