

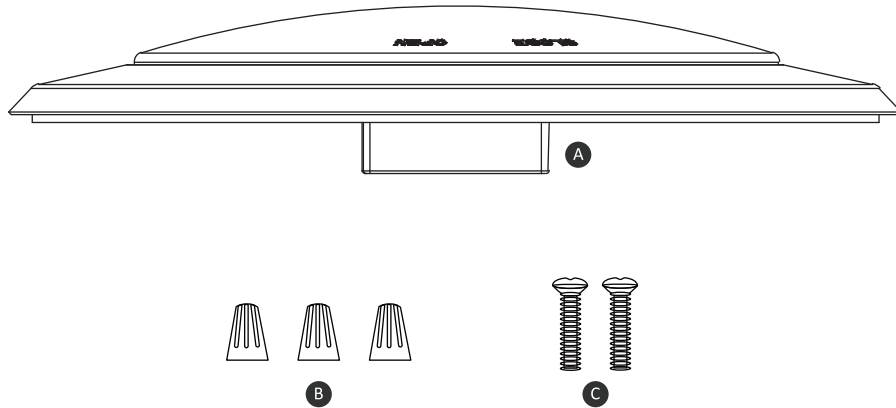
WARNING

PLEASE READ ALL INSTRUCTIONS BEFORE ATTEMPTING INSTALLATION

- To prevent personal injury or product damage only licensed electricians should install.
- To avoid electric shock or component damage disconnect power before attempting installation or servicing.
- This product must be installed in accordance with the national electric code (NEC) and all applicable federal, state and local electric codes and safety standards.
- Disconnect product and allow cooling prior to servicing.
- Any alteration or modification of this product is expressly forbidden as it may cause serious personal injury, death, property damage and/or product malfunction.
- To prevent product malfunction and/or electrical shock this product must be properly grounded.
- This product must be installed in accordance with the applicable installation code by a Person familiar with the construction and operation of the product and the hazards involved.
- The device is not intended for use with emergency exit.
- This Fixture is 5%-100% dimmable. Please refer to compatible dimmer list.
- Suitable for wet location

UNPACKING

Thoroughly inspect the fixture for freight damage. Freight damage should be reported to the carrier.



Packaging Contents

PART	Description	QUANTITY
A	4 inch Disk Downlight	1
B	Wire Nuts	3
C	Screws	2

Dimmer Compatibility List

This unit may operate on other dimmers, have not been tested. Input 120V, 60Hz

LEVITON	6672, 6674, PD-6WCL, DSL06, MACL-153M/MA-R
LUTRON	TG-6000PR-WH, S-600PR-WH, CTCL-153PDH-WH, TGCL-153PH-LA, SLV-600P-AL, DV-600PR-WH, SCL-153ph-WH, GT-600P, DVCL-153P, RNL06, MSCL-OP153M, IP06

Installation

Surface Mount

1. Make sure power off and the Junction Box is securely mounted before installation.
(This disk light is compatible with 2.75" Junction Box), see Fig1.
2. Remove lens by twisting clockwise, see Fig2.
3. Remove the two stickers at the disk light back that read as 2.75" Junction Box installation hole to reveal the screw slots. Select lamp color desired with the CCT switch, see Fig3.
4. Connect the supply wires to the wires of disk light by using 3 wire nuts.
Attach white wire to white wire, black wire to black wire, green wire to the ground wire, see Fig4.
5. Arrange the wires into the Junction Box. Align appropriate slots in the disk light with the holes in the Junction Box. Use 2 screws to attach the disk light, flush with the ceiling, see Fig5.
6. Placing the lens back into it's original position by twisting it in counter clockwise direction, see Fig6.
7. Seal the edge of the fixture and the lens by using waterproof sealant, see Fig7.

