



COMBINED FAMILY SPECIFICATION

DDR

Contractor Grade Surface Mount Downlight

Disk Downlight - Flush Mount 5CCT

Disk Downlight - Flush Mount

Date:	
Project Name:	
SKU #:	

Disk Downlight
Flush Mount



APPLICATIONS

Residential, Commercial, Multi-Family Complex

FEATURES

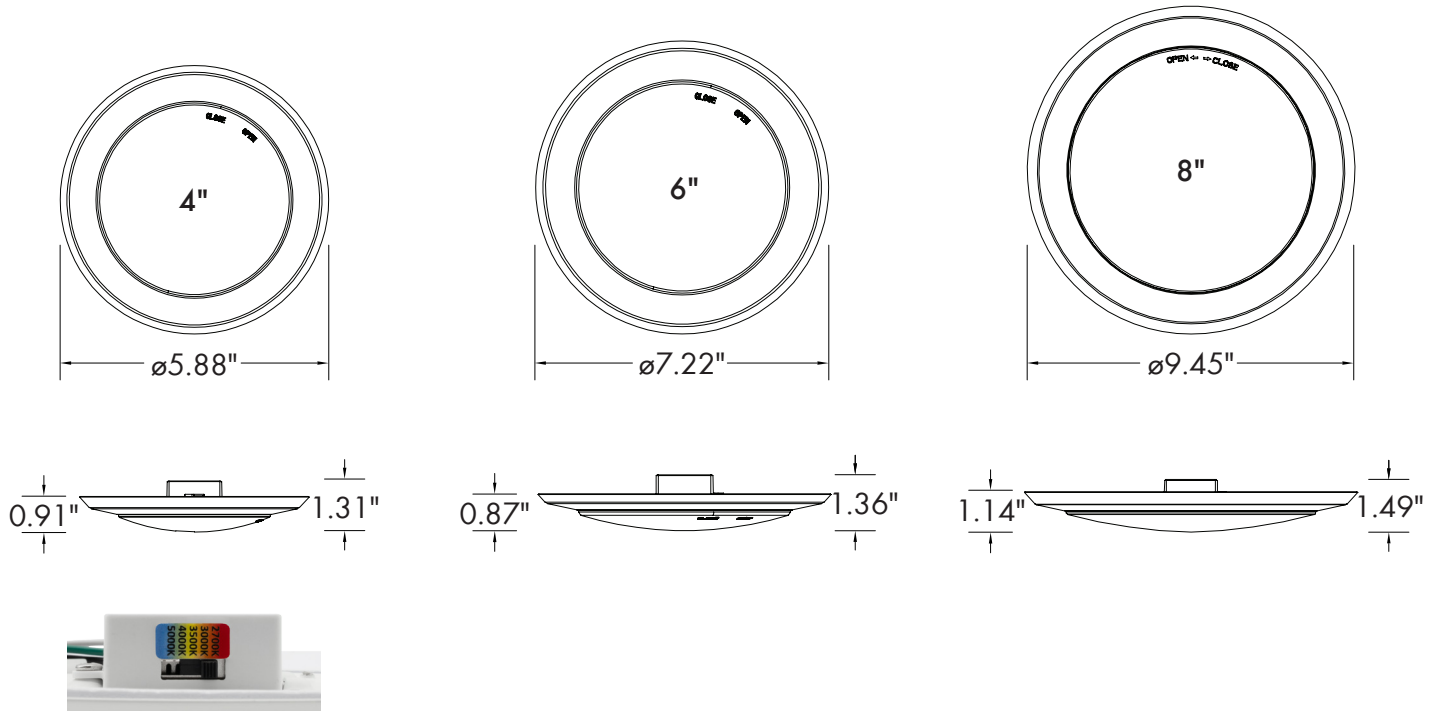
Construction - Iron Shell Housing	Finish - White
Electrical & Technical - Input Voltage: 120VAC - Input Frequency: 60Hz - Projected Life: L70 > 50,000 hrs - PF: >0.9 - CRI: >90 - THD: <20% - CCT Selectable: 2700K/3000K/3500K/4000K/5000K - Operating Temp.: -4°F ~ 122°F - Wet Location Rated	Optical 1- 120° Beam Angle
Controls - Triac Dimming	Installation/Mounting - Flush Mount: • 2.75" J-Box [4" or 8"Disk] • 3.5" J-Box
Dimmer Compatibility List: Leviton: 6672, 6674, DSL06, PD-6WCL, MACL-153M/MA-R Lutron: TG-600PR-WH, S-600PR-WH, CTCL-153PDH-WH, TGCL-153PH-LA, SLV-600P-AL, DV-600PR-WH, SCL-153PH-WH, GT-600P, DVCL-153P, RNL06, MSCL-OP153M, IPL06	Compliance - JA8 TITL 24 Compliant
Lumen Output • 4"/10W: 617lm • 6"/15W: 1,126lm • 8"/18W: 1,356lm	Warranty - 5 Year Warranty See warranty documentation for more information.



ORDERING INFORMATION **EXAMPLE: DDR-0410-5CCT**

Series	Size/Wattage	CCT
DDR	0410 - 4"/10W 0615 - 6"/15W 0818 - 8"/18W	5CCT - 2700K/3000K/3500K/4000K/5000K

DIMENSIONS



Field Adjustable
CCT Selection Switch

LUMEN OUTPUT

SKU	Size (in)	Wattage (W)	(2700K)		(3000K)		(3500K)		(4000K)		(5000K)	
			Delivered Lumens (lm)	Efficacy (lm/W)	Delivered Lumens (lm)	Efficacy (lm/W)	Delivered Lumens (lm)	Efficacy (lm/W)	Delivered Lumens (lm)	Efficacy (lm/W)	Delivered Lumens (lm)	Efficacy (lm/W)
DDR-0410-5CCT	4	10	540	54	591	59	614	61	617	61	586	58
DDR-0615-5CCT	6	15	923	62	970	64	1098	73	1126	75	1023	68
DDR-0818-5CCT	8	18	1218	67	1247	69	1303	72	1356	75	1298	72

Date:	
Project Name:	
SKU #:	

Disk Downlight
Flush Mount



APPLICATIONS

Residential, Commercial, Multi-Family Complex

FEATURES

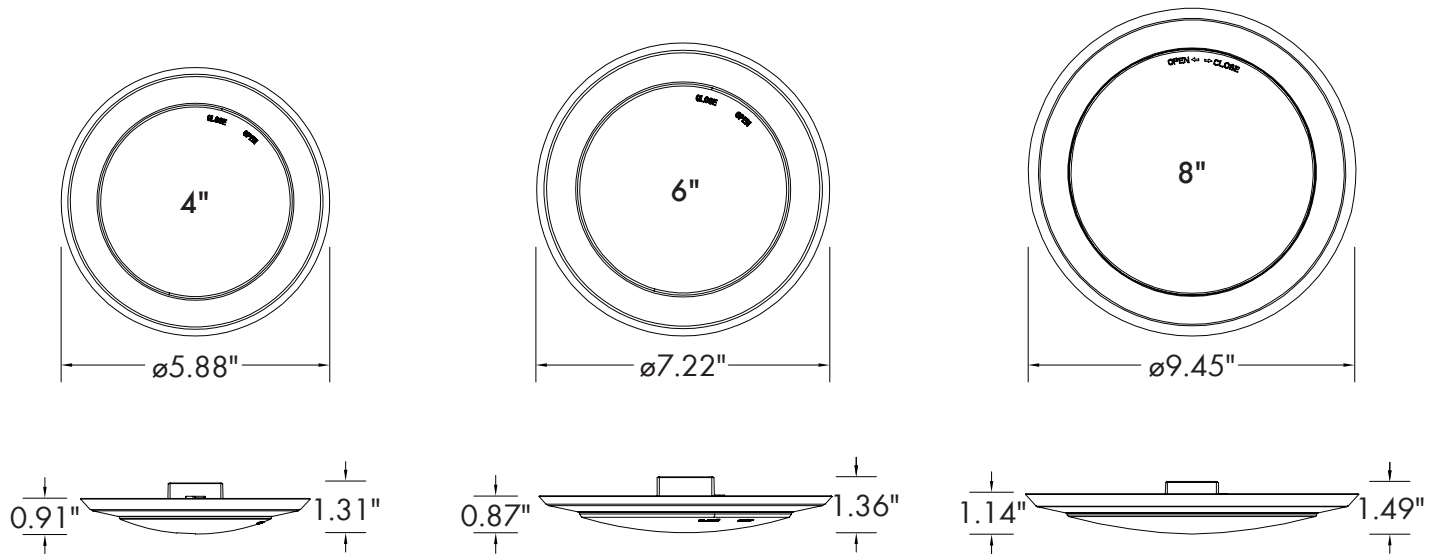
- | | |
|--|--|
| <p>Construction</p> <ul style="list-style-type: none"> - Iron Shell Housing | <p>Finish</p> <ul style="list-style-type: none"> - White |
| <p>Electrical & Technical</p> <ul style="list-style-type: none"> - Input Voltage: 120VAC - Input Frequency: 60Hz - Projected Life: L70 > 50,000 hrs - PF: >0.9 - CRI: >90 - THD: <20% - CCT: 3000K, 4000K, or 5000K - Operating Temp.: -4 °F ~ 122 °F - Wet Location Rated | <p>Optical</p> <ul style="list-style-type: none"> - 120° Beam Angle |
| <p>Controls</p> <ul style="list-style-type: none"> - Triac Dimming | <p>Installation/Mounting</p> <ul style="list-style-type: none"> - Flush Mount: <ul style="list-style-type: none"> • 2.75" J-Box [4" or 8"Disk] • 3.5" J-Box |
| <p>Dimmer Compatibility List:</p> <p>Leviton: 6672, 6674, DSL06, PD-6WCL, MACL-153M/MA-R
 Lutron: TG-600PR-WH, S-600PR-WH, CTCL-153PDH-WH, TGCL-153PH-LA, SILV-600P-AL, DV-600PR-WH, SCL-153PH-WH, GT-600P, DVCL-153P, RNL06, MSCL-OP153M, IPL06</p> | <p>Compliance</p> <ul style="list-style-type: none"> - JA8 TITLE 24 Compliant |
| <p>Lumen Output</p> <ul style="list-style-type: none"> • 4"/10W: 617lm • 6"/15W: 1,126lm • 8"/18W: 1,356lm | <p>Warranty</p> <ul style="list-style-type: none"> - 5 Year Warranty See warranty documentation for more information. |



ORDERING INFORMATION **EXAMPLE: DDR-0410-40**

Series	Size/Wattage	CCT
DDR	0410 - 4"/10W 0615 - 6"/15W 0818 - 8"/18W	30 - 3000K 40 - 4000K 50 - 5000K

DIMENSIONS



LUMEN OUTPUT

SKU	Size (in)	Wattage (W)	(4000K)	
			Delivered Lumens (lm)	Efficacy (lm/W)
DDR-0410-40	4	10	617	61
DDR-0615-40	6	15	1126	75
DDR-0818-40	8	18	1356	75