



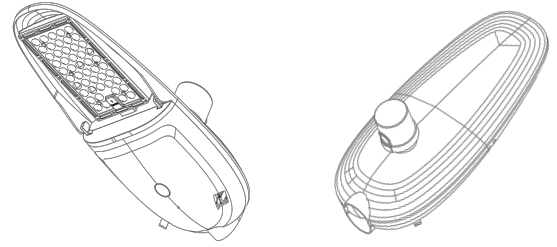
RWL™ G2 Installation Instructions

This manual applies to the following:

40W-75W, 90W-165W

Product Features:

- Heat sink material is made of a high thermal conductive die-cast (ADC) aluminum that is great for heat dissipation and has an anti-static surface.
- The unique design of the housing helps to speed up the dissipation of heat, which prolongs the life of the fixture.
- The integrated design of appearance gives the fixture an elegant look.
- This fixture is waterproof, dust-proof and anti-corrosive.



SAFETY INSTRUCTIONS

Read and understand this entire manual before attempting to assemble, operate, or install the LED Luminaire. If you have any questions regarding this product, please call a TGS Customer Representative at (818) - 206-4404.

1. All electrical work must conform to the National Electric Code (NEC) and all applicable local codes and ordinances.
2. Only qualified personnel shall install and maintain the luminaire. TGS recommends that a licensed electrician install and maintain the luminaire. Verify the safety of existing power distribution system before beginning installation.

FAILURE TO FOLLOW OPERATING INSTRUCTIONS MAY LEAD TO DEATH, SEVERE INJURY, OR PROPERTY DAMAGE.



WARNING

- Turn off power before performing any electrical or control work. **FAILURE TO FOLLOW THIS WARNING MAY LEAD TO DEATH, SEVERE INJURY, OR PROPERTY DAMAGE.**
- **DO NOT** make or alter any open holes in the luminaire. Do not modify the luminaire.
- Follow all applicable safety procedures and use Personal Protective Equipment such as hardhats, safety glasses, reflective vests, electrical safety gloves, fall protection equipment and safety toe boots during the installation, operation, and maintenance of the luminaire. **FAILURE TO FOLLOW THIS WARNING MAY LEAD TO DEATH, SEVERE INJURY, OR PROPERTY DAMAGE.**
- Risk of eye injury! Eye protection is required **at all** times during the installation, operation, and maintenance of this luminaire. The high intensity light produced by the luminaire can cause severe damage to the eye if viewed directly at close range. Avoid being in front of the luminaire that is turned on or wear a suitable light blocking protective eye-wear such as welding goggles.
- Store luminaire in a clean, dry place, protected from dirt, water, and sunlight. See the table below for required storage and operating conditions:

Storage Temperature	Operating Temperature	Humidity
40°F to 176°F	-40°F ~122°F	65%



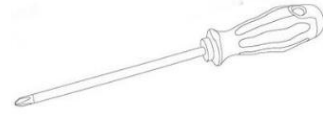
WARNING

Please read the manual carefully before installation. Power off before installation. Please authorize only a qualified person or professional engineer to install the fixture. Before installation, please check if the local voltage range corresponds with working voltage of the fixture. If the fixture is damaged, it should be replaced by the supplier, a service agent or a qualified person. Please keep the fixture away from fire, electric shock, and/or vibration.

Preparation Tools

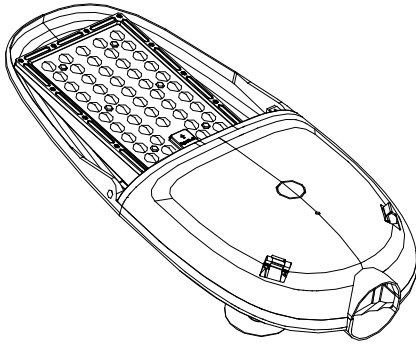


9/16"Socket Wrench

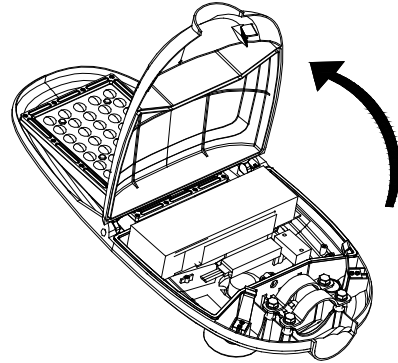


Phillips Wrench

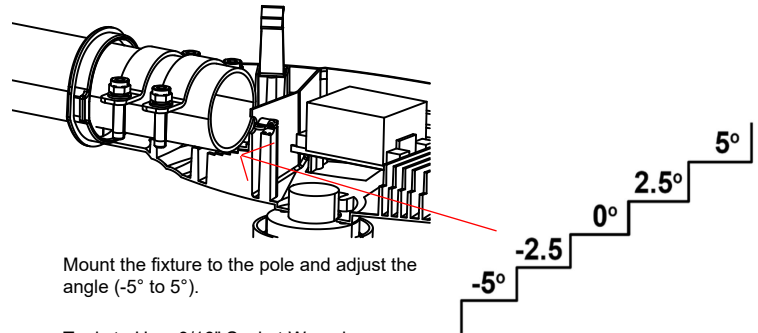
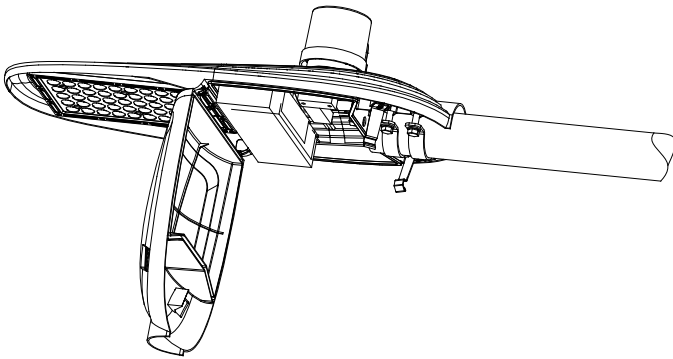
STEP1: Open the cover



Press the snap to open the lid.



STEP2: Installation of Lamps



Mount the fixture to the pole and adjust the angle (-5° to 5°).

Tools to Use: 9/16" Socket Wrench
The 9/16" Socket Wrench can be used for 8/4" (50.8mm) to 2-3/8" (60.3mm) light poles.

STEP 3: Connecting Cables

WARNING

Always turn the fixture power OFF before performing any work on control wiring. Turn transmitters OFF before working on main control lines. Performing any work on control connections while fixtures are receiving the signal may result in transient or fluttering control signals, which can cause damage to the luminaire. **FAILURE TO FOLLOW THIS WARNING MAY LEAD TO LUMINAIRE INTERNAL DAMAGE AND FAILURE.**

■ Wiring Diagram

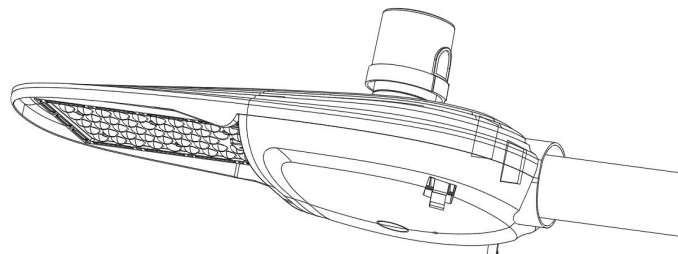
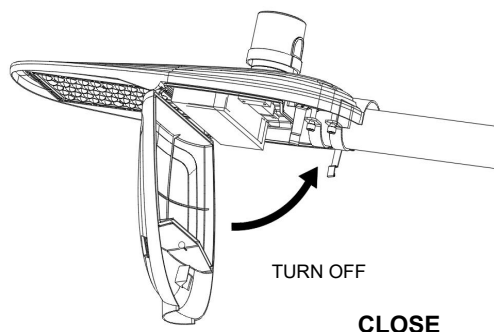




Install the LGN cable to the socket.

Tools to use: Phillips Wrench

STEP4: Close the Power Cover



Accessories Included

Image	Accessory	Specifications	Quantity	Remarks
	Hex Head Screw	3/8-16 Thread length 1-3/8 Stainless Steel 304	4	
	Plain Washer	M10	4	
	Spring Washer	M10	4	
	Clip Rubber	Gray	2	
	Pole Rubber	Gray	1	
	Buble	Gray	1	

Electrical Load

System Wattage	Current(A)					
	120	208	240	277	347	480
40	0.31	0.18	0.15	0.13	0.11	0.08
50	0.39	0.22	0.19	0.17	0.13	0.10
60	0.46	0.27	0.23	0.20	0.16	0.12
75	0.58	0.33	0.29	0.25	0.20	0.14
90	0.69	0.40	0.35	0.30	0.24	0.17
100	0.77	0.45	0.39	0.33	0.27	0.19
120	0.93	0.53	0.46	0.40	0.32	0.23
135	1.04	0.60	0.52	0.45	0.36	0.26
150	1.16	0.67	0.58	0.50	0.40	0.29
165	1.27	0.73	0.64	0.55	0.44	0.32

EPA Rating Information (ft²)

Wattage(W)	Front	SIDE	TOP
40W/50W/60/75W	0.27	0.42	0.96
90W/110W/120W/ 135W/150W/165W	0.37	0.64	1.65