

Date:	
Project Name:	
SKU #:	

CHB-P™ HP
High Power Circular High Bay



APPLICATIONS

Commercial, Industrial, and Institution

FEATURES

- | | |
|--|--|
| <p>Construction</p> <ul style="list-style-type: none"> - Cold Forged 1070 Grade Aluminum Housing | <p>Finish</p> <ul style="list-style-type: none"> - Black - White* |
| <p>Electrical & Technical</p> <ul style="list-style-type: none"> - Input Voltage: 100-277V
240-480V [Option] - Driver compliant to FCC 47 CFR Part 15b. - Input Frequency: 50/60Hz - Projected Life: L70 > 100,000 hrs - PF: >0.9 - CRI: >80 - THD: <20% - CCT: 4000K or 5000K - Operating Temp.: -40°F ~ 122°F - IP Rating: IP65 - IK Rating: IK10 - 10kV Surge Protection [Included] - 20kV Surge Protection [Option] - 6' [14/3, SOW (600V)/16/3, SJOW (300V)] Rated Power Cable [Included]. | <p>Optical</p> <ul style="list-style-type: none"> - Tempered Glass Lens [Standard] - 120° Beam Angle [Standard] - 45° or 90° PC Optics [Option] - 70° PC Reflector [Option] - 90° Aluminum Reflector [Option] - Wire Guard [Option] |
| <p>Controls</p> <ul style="list-style-type: none"> - 1-10V Dimming - Bi-level Occupancy/Daylight Harvesting Sensor [Option] | <p>Installation/Mounting</p> <ul style="list-style-type: none"> - Hanging Mount [Standard] - 3/4" Thread Pendant Mount [Option] - 10' Safety Cable [Option] |

Lumen Output

- 400W: 54,000lm
- 500W: 66,195lm

Warranty

- 5 Year Warranty
 - 7/10 Year Warranty Available.
- See warranty documentation for more information.



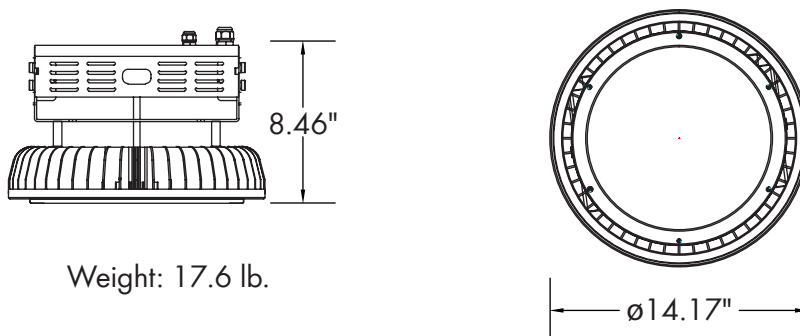
ORDERING INFORMATION **EXAMPLE: CHB-P-500W-50K-WD-U-D-B-HM-BAA**

Series	Wattage	CCT	Beam Angle	Input Voltage	Dimming	Finish	Mounting Options	Controls Option	BAA
CHB-P	400W 500W	40 - 4000K 50 - 5000K	WD - 120°	U - 100-277V H - 240-480V	D - 1-10V Dimming	B - Black W - White*	HM - Hanging Mount PM - 3/4" Pendant Mount SM - Surface Mount	M - Bi-level Occupancy/Daylight Harvesting Sensor [IP65]	BAA

Accessories **Distribution Options**

- | | |
|--|--|
| <ul style="list-style-type: none"> CHB-P-WG-B (Black Wire Guard) CHB-P-WG-W (White Wire Guard) L7-15 (NEMA Twist Lock Plug [120-277V/15 Amp]) L7-20 (NEMA Twist Lock Plug [120-277V/20 Amp]) CHB-P-SP (20kV Surge Protector) SAFETY-SS-10FT (10' Safety Cable) | <ul style="list-style-type: none"> CHB-P-HP-AM (Aluminum Reflector [90°]) CHB-P-HP-PM-22 (PC Reflector [70°]) CHB-P-HP-LC (PC Reflector Lens Cover) CHB-P-HP-MD (Medium Distribution [90°]) CHB-P-HP-ND (Narrow Distribution [45°]) |
|--|--|

DIMENSIONS



LUMEN OUTPUT

SKU	Wattage (W)	Delivered Lumens (lm)	Efficacy (lm/W)
CHB-P-400W-40K-WD-U-D-B-HM-BAA	400	52000	129
CHB-P-500W-40K-WD-U-D-B-HM-BAA	500	66195	130

ACCESSORIES



Hangin Hook Mount (Standard) [HM]



Surface Mount Bracket (Option) [SM]



3/4" Thread Pendant Mount (Option) [PM]



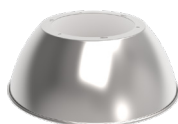
Bi-level Occupancy/Daylight Harvesting Sensor [IP65] [M]



Optical Lens Distribution 60° or 90° [CHB-P-ND] [CHB-P-MD]



Wire Guard (Black or White Finish) [Not used with Reflectors] [CHB-P-HP-WG-B] [CHB-P-HP-WG-W]



Aluminum Reflectors 90° [CHB-P-HP-AM]



PC Reflectors 22" DIA. 70° [CHB-P-HP-PN-22]



Lens Cover for PC Reflectors [CHB-P-LC]



10' Safety Cable (Option) [SAFETY-SS-10FT]



NEMA Twist Lock Plug [L7-15] [L7-20]

CONTROL PRE-COMMISSIONING

Default setting are indicated by*

High-End Trim/ Tuning	Time Delay	Daylight Harvesting	Stand-by Light Level Setting	Stand-by Time Setting
20% - 8' Height (48' Dia.)	10s	Light Sensor Disabled*	0%	∞
50% - 20' Height (40' Dia.)	1 min	1FC (10lux)	10%*	1 min
75% - 40' Height (60' Dia.)	10min*	3FC (30lux)	30%	30min
100% - 40' Height (100' Dia.)*	15min	5FC (50lux)	50%	60min*

High-End Trim/Tuning:

Lighting electricity usage can be reduced by 30 percent or more through high-end trim, which sets the maximum light level for each space. High-end trim/tuning sets the appropriate target brightness for each space to the prefer light levels to minimize glare and increase comfort level.

Time Delay:

The light can be set to stay ON for any period of time between approx. 10 sec. and the maximum of 60 min. Any movement detected before this time elapses will re-start the timer.

Daylight Harvesting:

The chosen light response threshold can be disabled or respond when photocell detects foot candle levels 1-5 FC

Stand-by Light Level:

Setting determines how much lumen output is dimmed down to when no motion is detected.

Stand-by Time:

Setting determines how long after stand-by light level occurs the light will shut off. Up to 60 minutes.