

Date:	
Project Name:	
SKU #:	

SPIN™
Flush Mounted Pendant Mount Fixture



APPLICATIONS

Residential, Commercial, Multi-Family Complex, Hospitality

FEATURES

Construction

- Die-cast Aluminum Base
- Spun Aluminum Body
- Adjustable Housing

Optical

- Beam Angles:
 - 11°
 - 24°
 - 36°
 - 60°

Electrical & Technical

- Input Voltage: 100-277V
- Input Frequency: 50/60Hz
- Projected Life: L70 > 50,000 hrs
- PF: >0.9
- CRI: >90
- THD: <20%
- CCT: 2700K, 3000K, 3500K, 4000K
- Operating Temp.: -40°F ~ 122°F
- Dry Location

Installation/Mounting

- Pendant Mount:
 - 3.3' Stem [Standard]
 - Custom Length*

Controls

- Triac Dimming [Option]
- 0-10 Dimming [Option]

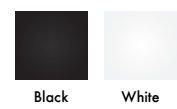
Warranty

- 5 Year Warranty
See warranty documentation for more information.

Lumen Output

- 15W: 1,300lm
- 20W: 1,800lm

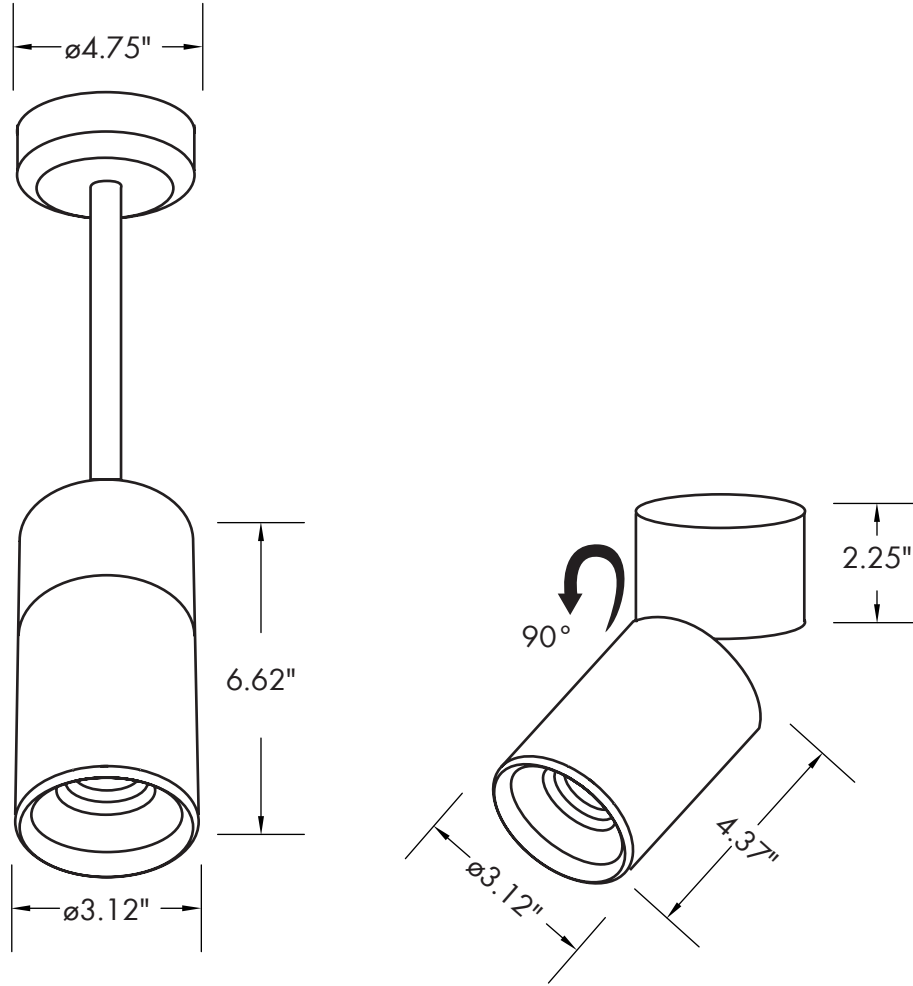
FINISHES



ORDERING INFORMATION **EXAMPLE: SPR-0306-15-30-11-D-BK**

Series	Size	Wattage	CCT	Beam Angle	Dimming	Finish
SPR	0306 - D: 3"x H: 6"	15 - 15W 20 - 20W	27 - 2700K 30 - 3000K 35 - 3500K 40 - 4000K	11 - 11° 24 - 24° 36 - 36° 60 - 60°	D - Triac Dimming D1 - 0-10V Dimming	BK - Black WH - White

DIMENSIONS



LUMEN OUTPUT

SKU	Size [DxH] (in)	Wattage (W)	Delivered Lumens (lm)	Efficacy (lm/W)
SPR-0306-15-30-11-D-BK	ø3.12 x 6.62	15	1300	86
SPR-0306-20-30-11-D-BK	ø3.12 x 6.62	20	1800	90