

Date:	
Project Name:	
SKU #:	

Outline T24
T-Grid Lighting



APPLICATIONS

Commercial, Retail, Office, Public Spaces

FEATURES

- | | |
|--|---|
| <p>Construction</p> <ul style="list-style-type: none"> - Aluminum frame for lightweight body. | <p>Finish</p> <ul style="list-style-type: none"> - White Lens |
| <p>Electrical & Technical</p> <ul style="list-style-type: none"> - Input Voltage: 120-277V - Input Frequency: 50/60Hz - Projected Life: L70 > 50,000 hrs - PF: >0.9 - THD: <20% - CCT: 3500K, 4000K, or 5000K - Remote Driver - Operating Temp.: -22°F ~ 104°F - Damp Location Rated - 15W Emergency Inverter [Option] - 8W Emergency Battery Backup [Option] | <p>Optical</p> <ul style="list-style-type: none"> - Acrylic Lens |
| | <p>Installation/Mounting</p> <ul style="list-style-type: none"> - Suitable for 15/16" T-Grid Installation |

- Controls**
- 0-10V Dimming
 - Bi-level Occupancy/Daylight Harvesting Sensor [Option]

- Lumen Output**
- 2'x2':
 - 27W (2,700lm)
 - 35W (3,500lm)
 - 40W (4,000lm)
 - 2'x4':
 - 35W (3,500lm)
 - 45W (4,500lm)
 - 54W (5,400lm)

Warranty
- 5 Year Warranty
See warranty documentation for more information.

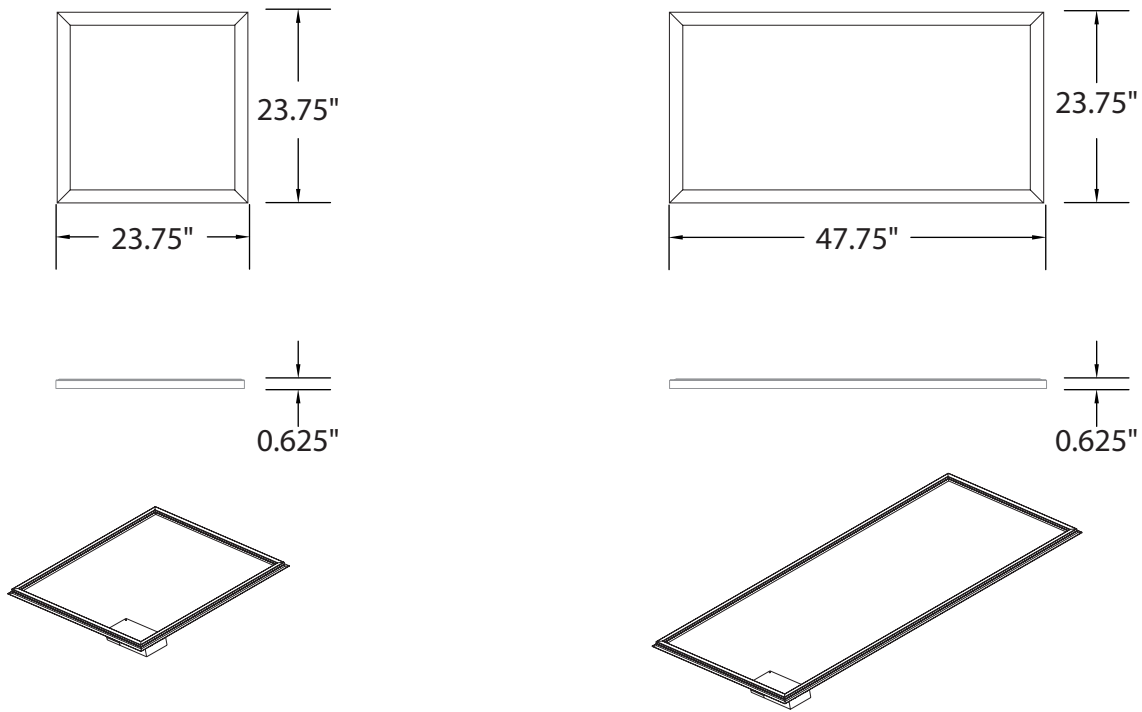


ORDERING INFORMATION **EXAMPLE: OFL-22-27-35-U-D**

Series	Size	Wattage	CCT	Input Voltage	Control
OFL	22 - 2'x2'	27 - 27W 35 - 35W 40 - 40W	35 - 3500K 40 - 4000K 50 - 5000K	U - 120-277V	D - 0-10V Dimming
	24 - 2'x4'	35 - 35W 45 - 45W 54 - 54W			

- Accessories**
- T-BR-EM (T-Bar Bracket for Emergency Battery Backup)
 - TGS-15W-INT [15W Emergency Inverter]
 - OFL-EM [8W Emergency Battery Backup]
 - RC-RC-100 (Wireless Configuration Tool)
 - M [Bi-level Occupancy/Daylight Harvesting Sensor]

DIMENSIONS



LUMEN OUTPUT

SKU	Size (LxW)	Wattage (W)	Delivered Lumens (lm)	Efficacy (lm/W)
OLF-22-27-40-U-D	2'x2'	27	2700	100
OLF-22-35-40-U-D	2'x2'	35	3500	100
OLF-22-40-40-U-D	2'x2'	40	4000	100
OLF-24-35-40-U-D	2'x4'	35	3500	100
OLF-24-45-40-U-D	2'x4'	45	4500	100
OLF-24-54-40-U-D	2'x4'	54	5400	100

ACCESSORIES



Emergency Battery Backup 8W (Option) [OFL-EM]



Emergency Inverter 15W (Option) [TGS-15W-INT]



Daylight Occupancy/Daylight Harvesting Sensor (Option) [M]



Wireless Configuration Tool (Sold Separately) [RC-RC-100]



T-Bar Emergency Battery Bracket [TR-BR-EM]

CONTROL PRE-COMMISSIONING

Default setting are indicated by*

High-End Trim/ Tuning	Sensitivity Range	Time Delay	Daylight Harvesting	Stand-by Light Level Setting	Stand-by Time Setting
70%	20%	10s	Light Sensor Disabled*	0%	∞
80%	50%	1min	1FC (10lux)	10%*	1min
90%	75%	10min*	3FC (30lux)	30%	30min
100%*	100%*	15min	5FC (50lux)	50%	60min*

High-End Trim/Tuning:

Setting that determines the maximum lumen output through high-end trim tuning, can be reduced by up to 30 percent.

Sensitivity Range:

Setting that determines the sensitivity range of the motion sensor when the daylight sensor is disabled.

Time Delay:

The light can be set to stay ON for any period of time between approx. 10 sec. to a maximum of 60 min. Any movement detected before this time elapse will re-start the timer.

Daylight Harvesting:

The chosen light response threshold can be disabled or respond when photocell detects foot candle levels 1-5 FC

Stand-by Light Level:

Setting determines how much lumen output is dimmed down to when no motion is detected.

Stand-by Time:

Setting determines how long after stand-by light level occurs the light will shut off. Up to 60 minutes.