

Date:	
Project Name:	
SKU #:	

CHB-N™
Circular High Bay



APPLICATIONS

Agricultural Processing , Boiling & Keg Washing , Canning & Bottling, Industrial Kitchens , Livestock Facilities, Manufacturing Plants , Meat Processing, Milking Operations, Packaging Facilities, Sanitary Areas, Treatment Plants, Car Washes, Food Processing Plants, Cold & Freezer Storage

FEATURES

Construction

- UniBody Aluminum Alloy Housing
- Advance Thermal Management

Finish

- White
- Grey*

Electrical & Technical

- Input Voltage: 100-277V
277-480V
- Input Frequency: 50/60Hz
- Projected Life: L70 > 100,000 hrs
- PF: >0.9
- CRI: >80
- THD: <20%
- CCT: 4000K or 5000K
- Operating Temp.: -22°F ~ 122°F
- Surge Protection: 6kV
- IP Rating: IP69K
- IK Rating: IK10
- 60W Emergency Inverter [Option]

Optical

- 120° Beam Angle
- 90° Beam Angle
- 50° Beam Angle

Installation/Mounting

- Hanging Hook Mount [Standard]
- Pendant Mount [Stem Not Included]
- Surface Mount
- Loop Mount [Chain Not Included]

Controls

- 1-10V Dimming

Lumen Output

- 100W: 13,500lm
- 150W: 20,250lm
- 200W: 27,000lm

Warranty

- 5 Year Warranty
- See warranty documentation for more information.



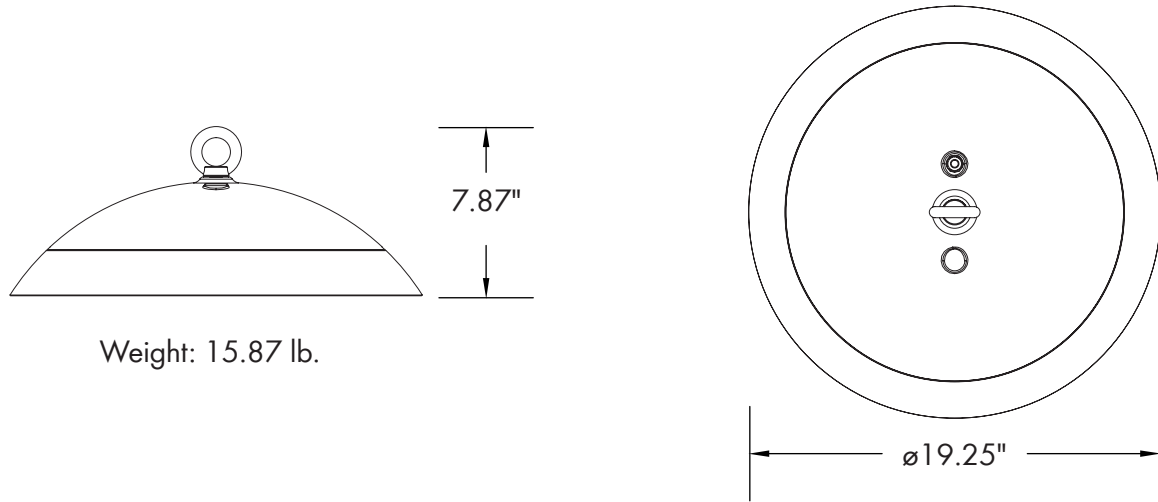
ORDERING INFORMATION **EXAMPLE: CHB-N-WD-U-D-W-HM**

Series	Wattage	CCT	Beam Angle	Input Voltage	Dimming	Finish	Mounting Option
CHB-N	100W 150W 200W	40 - 4000K 50 - 5000K	WD - 120° MD - 90° ND - 50°	U - 100-277V H - 277-480V	D - 1-10V Dimming	W - White G - Grey*	HM - Hanging Hook Mount PM - Pendant Mount SM - Surface Mount LM - Loop Mount

Accessories

TGS-60W-HB-INT (60W Emergency Inverter)

DIMENSIONS



LUMEN OUTPUT

SKU	Wattage (W)	Delivered Lumens (lm)	Efficacy (lm/W)
CHB-N-100W-50K-WD-U-D	100	13500	135
CHB-N-150W-50K-WD-U-D	150	20250	135
CHB-N-200W-50K-WD-U-D	200	27000	135

ACCESSORIES

