

WARNING

PLEASE READ ALL INSTRUCTIONS BEFORE ATTEMPTING INSTALLATION

- To prevent personal injury or product damage, only licensed electricians should install.
- To avoid electric shock or component damage, disconnect power before attempting installation or servicing.
- This product must be installed in accordance with the national electric code (NEC) and all applicable federal, state and local electric codes and safety standards.
- Disconnect product and allow cooling prior to servicing.
- Any alteration or modification of this product is expressly forbidden as it may cause serious personal injury, death, property damage and/or product malfunction.
- To prevent wiring damage or abrasion, do not expose wiring to edges of sheet metal or other sharp objects.
- This device is not intended for use with emergency exits.
- **CAUTION:** Connect fixture to a 120 Volt, 60Hz power source only. Any other connection void the warranty.
- Suitable for damp locations.

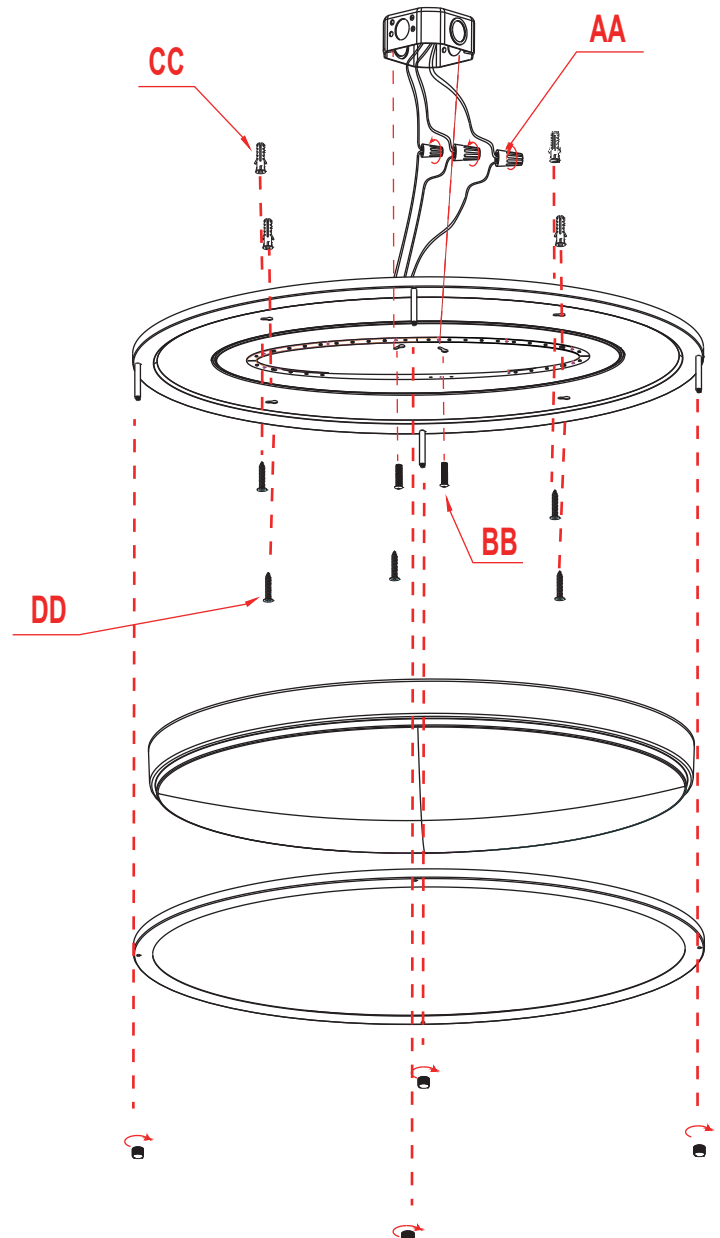
LIST OF RECOMMENDED DIMMERS





LUTRON: TGCL-153P, MACL-153M, CTCL-153P, PD-6WCL

LEVITON: IPL06-10Z, 6672-1LW, 6674-POW, DLS06-1LZ

Installation

1. Turn off power at the circuit breaker or electrical box before starting installation.
2. Loosen the nuts and remove the lamp shade.
3. Connect the wires using wire connectors as as seen in "AA":
 - Connect the wire (black insulation) from the fixture to the black wire (L) from the power source.
 - Connect the wire (white insulation) from the fixture to the white wire (N) from the power source.
 - Connect the wire ground wire (bare wire) to the grounding wire from the power source.
4. Seen in "BB" place the screws to the junction box to secure the ceiling pan in place. Drill holes in the ceiling and insert the expansion bolts as seen in "CC" into the holes. To secure the fixture pan, screw in the corresponding holes as seen in "DD" the mounting screws.
5. Install the lamp cover with nuts.
6. Turn on the power to complete the installation and check the fixture is in working order.



Part	Description	Qty		
AA	Wire Nuts	3		
BB	Screw	2		
CC	mounting tube	4		
DD	Screw	4		