

! WARNING

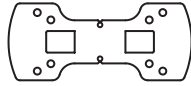
PLEASE READ ALL INSTRUCTIONS BEFORE ATTEMPTING INSTALLATION

- To prevent personal injury or product damage only licensed electricians should attempt to install
- To avoid electric shock or component damage disconnect power before attempting installation or servicing.
- This product must be installed in accordance with the current National Electric Code (NEC) and all applicable federal, state and local electric codes and safety standards.
- These luminaires (fixtures) are designed to meet the latest NEC requirements and are listed in full compliance with UL 1598.
- Supply conductors (Power wires) connecting the fixture must be rated minimum 90°C.
- Disconnect product and allow cooling prior to servicing.
- Any alteration or modification of this product is expressly forbidden as it may cause serious personal injury, death, property damage and/or product malfunction.
- To prevent product malfunction and/or electrical shock this product must be properly grounded.
- To prevent wiring damage or abrasion, do not expose wiring to edges of sheet metal or other sharp objects.

Included Items



LAMP
1 PC



MOUNTING BRACKET
1 PC



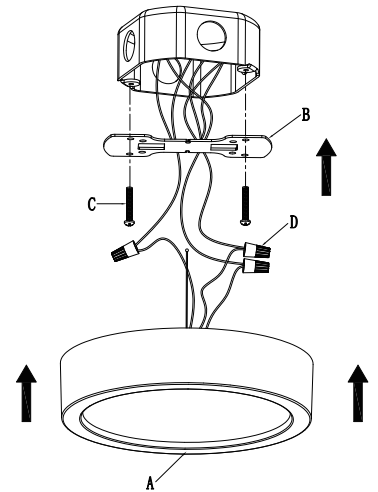
SCREW #8-32X0.75"
2 PC



WIRING NUTS
6 PC

Instructions:

1. Make sure that Power is TURNED OFF.
2. Prior to installation, install the mounting plate on the junction box with mounting screws. Drive screws completely to the end of the junction box.
3. Connect supply wires to wires on fixture with wire nuts:
 - Connect incoming ground wire to the mounting plate ground wire (green),
 - Connect incoming common wire (neutral) to fixture common (white)
 - Connect incoming hot wire to fixture black wire
4. Raise the fixture to the junction box, guide the spring clips into the slots in the mounting plate and press the front of the fixture. Firmly press at the clip locations to lock the fixture in place. Note: For easier installation press one side and when you hear a click repeat on the opposite side.
5. Turn ON power to see fixture is in working order.



Wiring Diagram

