

Date:	
Project Name:	
SKU #:	

**ECLIPSE™**

Pendant/Surface Architectural Round



**MOUNTING OPTIONS**



Cable Mount  
[CM10]



Pendant Mount  
[Stem Not Included]  
(Option)  
[PM]



Surface Mount  
(Option)  
[SM]

**APPLICATIONS**

Commercial, Retail, Office, Public Spaces

**FEATURES**

**Construction**

- Aluminum Shallow Housing
- Powder Coated Finish

**Electrical & Technical**

- Input Voltage: 120-277V
- Input Frequency: 50/60Hz
- Projected Life: L70 > 50,000 hrs
- PF: >0.9
- CRI: >90
- THD: <20%
- CCT: 3000K, 3500K, 4000K, 5000K
- Operating Temp.: -4°F ~ 104°F
- IP Rating: IP20

**Controls**

- 0-10V Dimming

**Lumen Output**

- 40W: 3,400lm
- 80W: 6,800lm
- 90W: 7,650lm
- 120W: 10,200lm
- 180W: 15,300lm
- 220W: 18,700lm

**Finish**

- BW - Black /White
- BB - Black/Black
- WW - White/White
- WB - White/Black
- CC - Custom RAL Color\*

**Optical**

- Direct Only [Option]
- Direct/Indirect [Option]

**Installation/Mounting**

- Cable Mount
  - Available Lengths: 10' [Standard]
- Surface Mount Option
- Pendant Mount Option [Stem Not Included]

**Warranty**

- 5 Year Warranty
- See warranty documentation for more information.

**OUTER/INNER COLOR COMBINATIONS**

**Standard**



**Custom\***

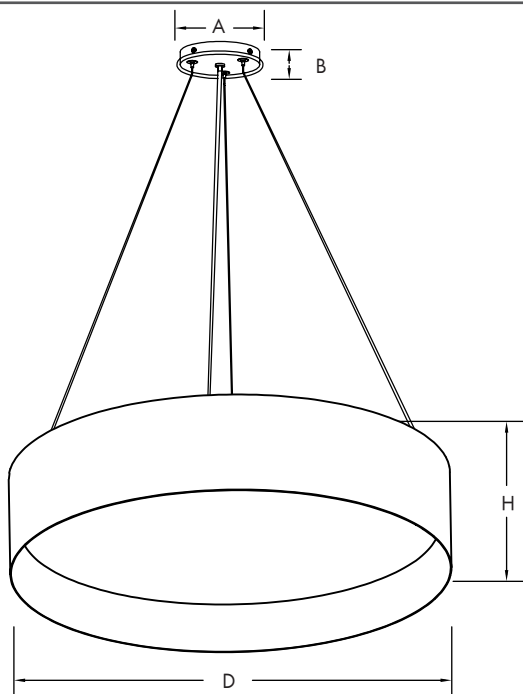


**ORDERING INFORMATION**

**EXAMPLE: ECL-24-40-40-U-D1-BW-CM10-D**

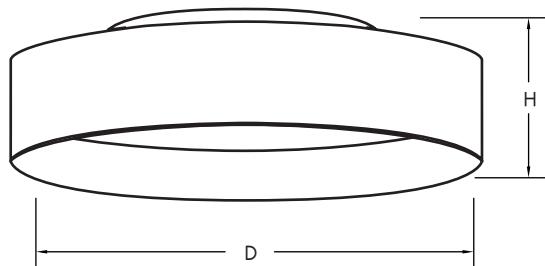
Series	Size	Wattage	CCT	Input Voltage	Control	Finish	Mounting Option	Illumination Option
ECL	24 - 24"	40 - 40W	30 - 3000K	U - 120-277V	D1 - 0-10V Dimming	STANDARD	CM10 - 10' Cable Mount SM - Surface Mount PM - Pendant Mount	D - Direct Illumination
	36 - 36"	90 - 90W	35 - 3500K					
	48 - 48"	180 - 180W	40 - 4000K					
ECL	24 - 24"	80 - 80W	30 - 3000K	U - 120-277V	D1 - 0-10V Dimming	WB - White/Black	CM10 - 10' Cable Mount SM - Surface Mount PM - Pendant Mount	UD - Uplight/Direct Illumination
	36 - 36"	120 - 120W	35 - 3500K					
	48 - 48"	220 - 220W	40 - 4000K					
			50 - 5000K			CUSTOM*		
						CC - Custom RAL		

DIMENSIONS



Cable Mount

Size	Height (H)	Diameter (D)	Canopy	
			Height (B)	Diameter (A)
ECL-24-40	5.5"	ø23.6"	1.38"	ø10.0"
ECL-24-80	5.5"	ø23.6"	1.38"	ø10.0"
ECL-36-90	5.5"	ø35.4"	1.38"	ø10.0"
ECL-36-120	5.5"	ø35.4"	1.38"	ø10.0"
ECL-48-180	5.5"	ø47.2"	1.38"	ø10.0"
ECL-48-220	5.5"	ø47.2"	1.38"	ø10.0"



Surface Mount

Size	Height (H)	Diameter (D)
ECL-24-40	6.9"	ø23.6"
ECL-24-80	6.9"	ø23.6"
ECL-36-90	6.9"	ø35.4"
ECL-36-120	6.9"	ø35.4"
ECL-48-180	6.9"	ø47.2"
ECL-48-220	6.9"	ø47.2"