

DIANA™

INSTALLATION INSTRUCTIONS

22-INCH INDOOR CEILING FAN



Table of Contents

Table of Contents	2	Assembly	7
Safety Information	2	Operation	15
Warranty	3	Care and Cleaning	15
Pre-Installation	3	Troubleshooting	16
Installation	6	IC Statement	17

Safety Information

READ AND SAVE THESE INSTRUCTIONS.

- To reduce the risk of electric shock, ensure the electricity has been turned off at the circuit breaker or fuse box before you begin.
- All wiring must be in accordance with the National Electrical Code ANSI/NFPA 70 and local electrical codes. Electrical installation should be performed by a qualified licensed electrician.
- The outlet box and support structure must be securely mounted and capable of reliably supporting 15.9 kg (35 lbs) Use only UL-listed outlet boxes marked "Acceptable for Fan Support of 15.9 kg (35 lbs) or less."
- Do not place objects in the path of the blades.
- After making electrical connections, spliced conductors should be turned upward and pushed carefully up into the outlet box. The wires should be spread apart with the grounded conductor and the equipment-grounding conductor on one side of the outlet box and ungrounded conductor on the other side of the outlet box.
- All set screws must be checked and retightened where necessary before installation.



WARNING: To reduce the risk of personal injury, do not bend the blade brackets when installing the brackets, balancing the blades, or cleaning the fan. Do not insert foreign objects in between rotating fan blades.



WARNING: To reduce the risk of fire, electric shock or personal injury, mount to an outlet box marked "acceptable for fan support of 15.9 kg (35 lbs) or less" and use screws provided with the outlet box.



WARNING: To avoid possible electrical shock, turn the electricity off at the main fuse box before wiring. If you feel you do not have enough electrical wiring knowledge or experience, contact a licensed electrician.



WARNING: To reduce the risk of fire or electric shock, do not use this fan with any solid-state speed control device.



CAUTION: To reduce the risk of personal injury, use only the screws provided with the outlet box.



CAUTION: To avoid personal injury or damage to the fan and other items, use caution when working around or cleaning the fan.



CAUTION: The fan must be mounted with a minimum of 7 ft. (2.1 m) of clearance from the trailing edge of the blades to the floor.



CAUTION: Changes or modifications not expressly approved by the party responsible for compliance could void the user's authority to operate the equipment.

Warranty

We warrant the fan motor to be free from defects in workmanship and material present at time of shipment from the factory for a period of a lifetime after the date of purchase by the original purchaser. We also warrant that all other fan parts, excluding any glass or acrylic blades, to be free from defects in workmanship and material at the time of shipment from the factory for a period of one year after the date of purchase by the original purchaser. We agree to correct such defects without charge or at our option replace with a comparable or superior model if the product is returned. To obtain warranty service, you must present a copy of the receipt as proof of purchase. All costs of removing and reinstalling the product are your responsibility. Damage to any part such as by accident, misuse, improper installation, or by affixing any accessories, is not covered by this warranty. Because of varying climatic conditions, this warranty does not cover any changes in brass finish, including rusting, pitting, corroding, tarnishing or peeling. Brass finishes of this type give their longest useful life when protected from varying weather conditions. A certain amount of "wobble" is normal and should not be considered a defect. Servicing performed by unauthorized persons shall render the warranty invalid. There is no other express warranty. We hereby disclaim any and all warranties, including but not limited to those of merchant ability and fitness for a particular purpose to the extent permitted by law. The duration of any implied warranty which cannot be disclaimed is limited to the time period as specified in the express warranty.

Some provinces do not allow limitation on how long an implied warranty lasts, so the above limitation may not apply to you. The retailer shall not be liable for incidental, consequential, or special damages arising out of or in connection with product use or performance except as may otherwise be accorded by law. Some provinces do not allow the exclusion of incidental or consequential damages, so the above exclusion or limitation may not apply to you. This warranty gives specific legal rights, and you may also have other rights which vary from province to province. This warranty supersedes all prior warranties. Shipping costs for any return of the product as part of a claim on the warranty must be paid by the customer.

Pre-Installation

SPECIFICATIONS

Size	Speed	Volts	Airflow CFM	Fan Power Consumption (Without Lights) WATT	Airflow Efficiency (Higher Is Better) CFM/WATT	Net Weight	Gross Weight	Cubic Feet
22 in.	Low	120	610	20	30.5	23.81 lbs (10.8 kgs)	30.82 lbs (13.98 kgs)	5.23 cu. ft.
	Medium		825	27	30.5			
	High		950	32	29.7			



NOTE: These are approximate measures. They do not include the amps and wattage used by the light kit.

TOOLS REQUIRED



Phillips screwdriver



Flat head screwdriver



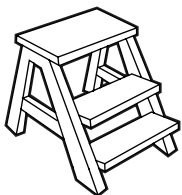
Adjustable wrench



Electrical tape



Wire cutter



Step ladder

Pre-Installation (continued)

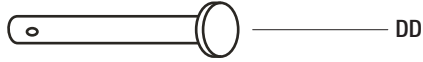
HARDWARE INCLUDED



NOTE: Hardware not shown to actual size.



AA



DD



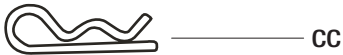
GG



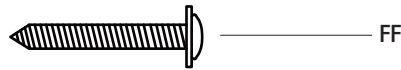
BB



EE



CC

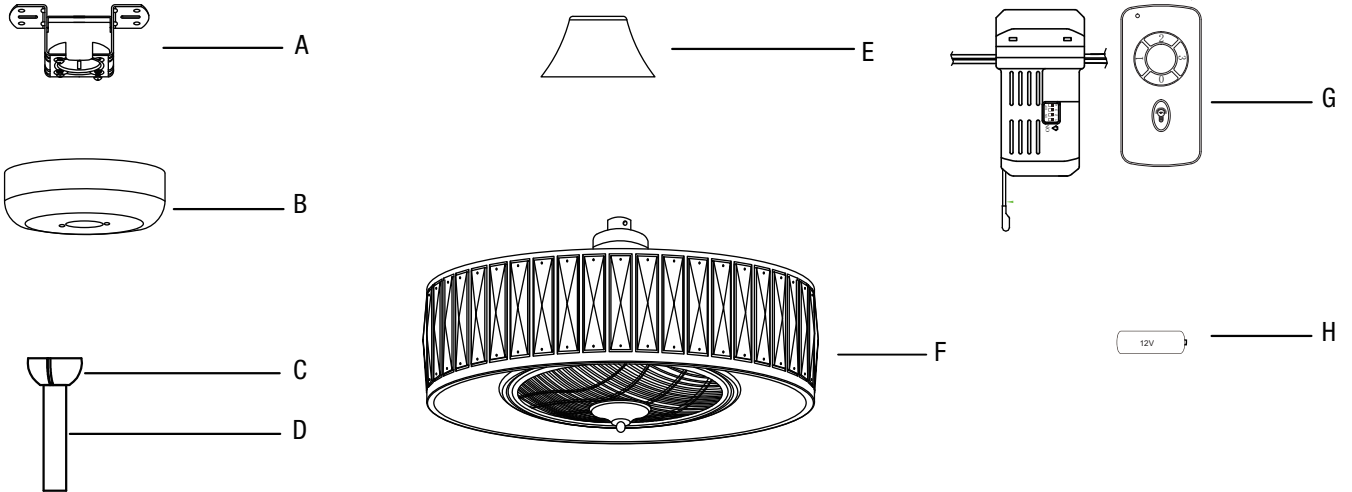


FF

Part	Description	Quantity
AA	Canopy screw (not to scale) (preassembled)	2
BB	Wire nuts (not to scale)	10
CC	Hitch pin (not to scale) (preassembled)	1
DD	Lock pin (not to scale) (preassembled)	1
EE	Set screw (not to scale) (preassembled)	2
FF	Wood screw (not to scale)	5
GG	Metal washer (not to scale)	5

Pre-Installation (continued)

PACKAGE CONTENTS



Part	Description	Quantity
A	Mounting bracket	1
B	Canopy	1
C	Hanger ball (preassembled)	1
D	Downrod 6" and 18"	2

Part	Description	Quantity
E	Coupling cover	1
F	Fan motor assembly	1
G	Remote control set	1
H	Battery 23A 12V	1

Installation

MOUNTING OPTIONS

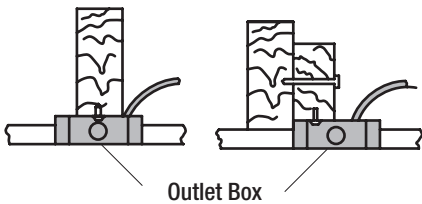
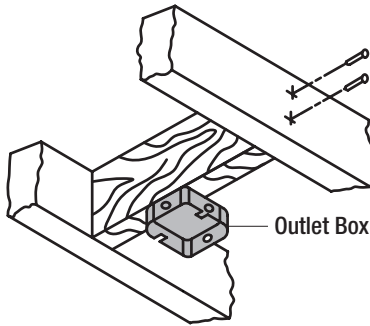


WARNING: To reduce the risk of fire, electric shock, or personal injury, mount to outlet box marked “acceptable for fan support of 15.9 kg (35 lbs) or less” using the screws provided with the outlet box. An outlet box commonly used for the support of lighting fixtures may not be acceptable for fan support and may need to be replaced. If in doubt, consult a qualified electrician.

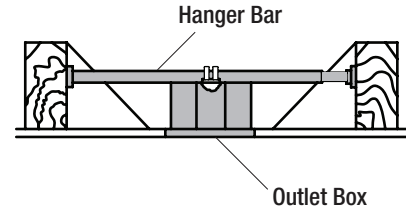
If your ceiling fan does not have an existing UL-listed mounting box, then install one using the following instructions:

- Disconnect the power by removing the fuses or turning off the circuit breakers.
- Secure the outlet box directly to the building structure. Use the appropriate fasteners and materials. The outlet box and its bracing must be able to fully support the weight of the moving fan (at least 15.9 kg). Do not use a plastic outlet box.

The illustrations below show two different ways to mount the outlet box.



NOTE: You may need a longer downrod to maintain proper blade clearance when installing on a steep, sloped ceiling. The maximum angle allowable is 10° away from horizontal.



To hang your fan where there is an existing fixture but no ceiling joist, you may need an installation hanger bar as shown above.

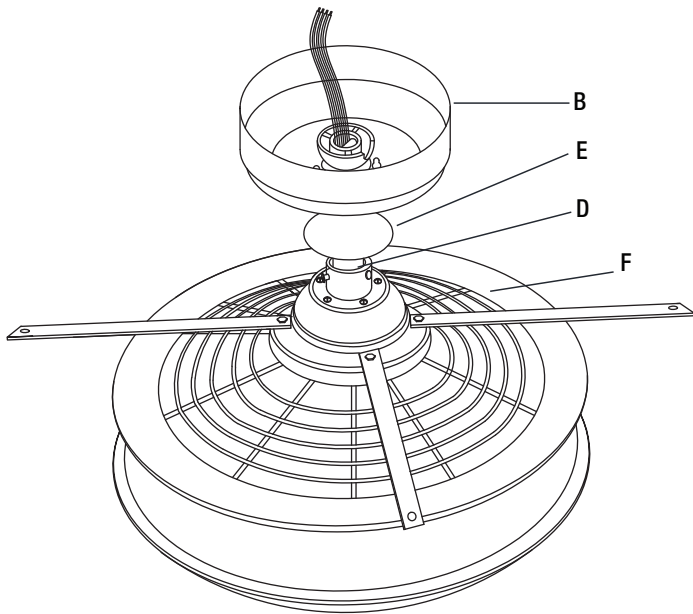
Assembly - Standard Ceiling Mount

1 Routing the wires



WARNING: Make sure power is off before attempting installation.

- Route the wires exiting the top of the fan motor assembly (F) into the coupling cover (E).
- Make sure the slot openings are on top. Route the wires through the canopy (B) and then through the downrod (D) assembly.

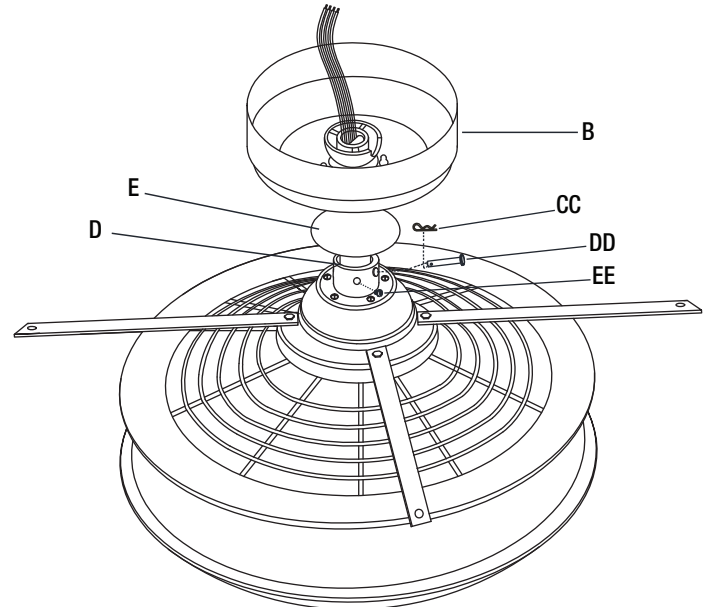


2 Assembling the fan



CAUTION: To ensure wobble-free operation and to avoid damage to the fan, the downrod (D) and the set screw (EE) must be completely tightened.

- Loosen the set screws (EE) in the downrod coupler until the inside of the channel is clear of the screw tip.
- Remove and save the lock pin (DD) on the end of the downrod (D).
- Slide the ceiling canopy (B) onto the downrod (D), followed by the coupling cover (E).
- Attach the downrod (D) into the coupler until the lock pin (DD) can be inserted through the hole in both the rod and coupler.
- Insert the lock pin (DD) through the hole in the coupler and downrod (D), and then attach the hitch pin (CC) on the other side.
- Tighten both set screws (EE) on the coupler.



Assembly - Standard Ceiling Mount (continued)

3 Attaching the fan to the electrical box



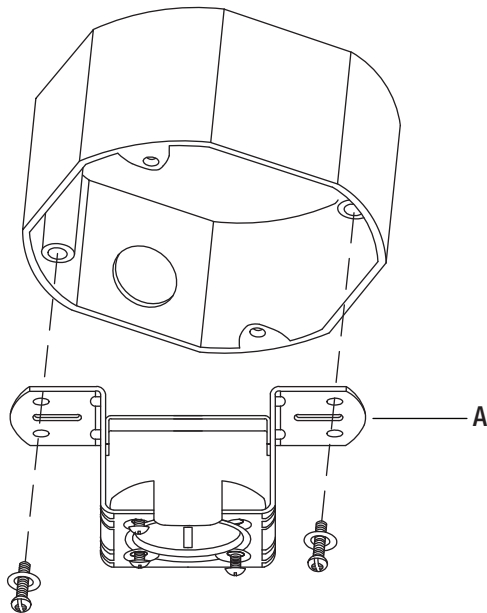
WARNING: To reduce the risk of fire, electric shock or personal injury, mount to outlet box marked “acceptable for fan support of 15.9 kg (35 lbs) or less” and use screws provided with the outlet box.

- Pass the 120V supply wires through the center hole in the mounting bracket (A).
- Install the ceiling mounting bracket (A) on the outlet box using the two mounting screws provided with the outlet box. If necessary, use leveling washers (not included) between the mounting bracket (A) and outlet box.



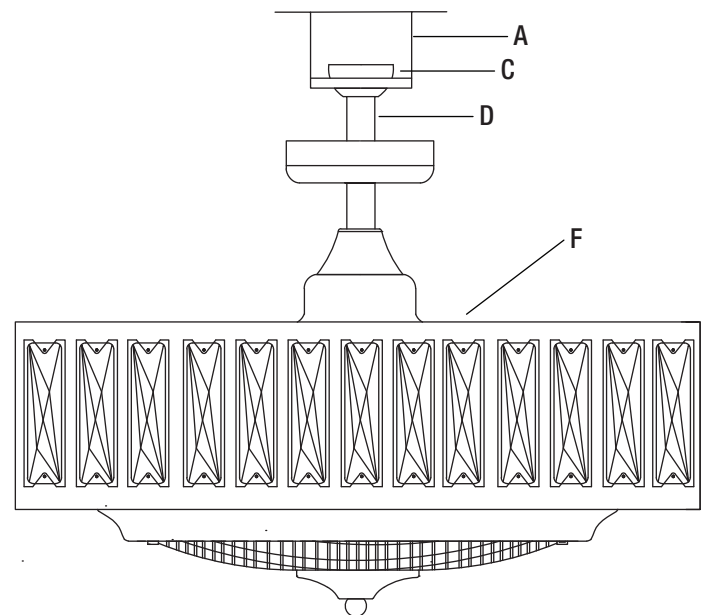
NOTE: The flat side of the mounting bracket (A) is toward the outlet box. When it is used as a flush mount, it is important that the mounting bracket (A) be level.

- Securely tighten the two outlet box screws.



4 Hanging the fan

- Carefully lift the fan motor assembly (F) up to the mounting bracket (A).
- Seat the hanger ball (C) portion of the downrod assembly (D) in the mounting bracket (A) socket. Ensure that the tab on the mounting bracket (A) socket is properly seated in the groove in the hanger ball.



Assembly - Standard Ceiling Mount (continued)

5 Making the electrical connections



WARNING: To avoid possible electrical shock, ensure the electricity is turned off at the circuit breaker or main fuse box before wiring.



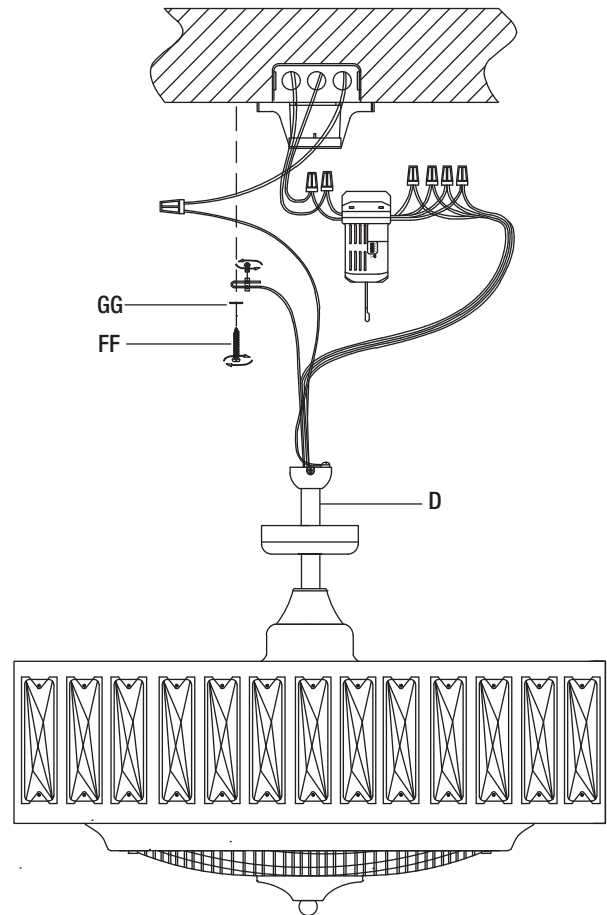
WARNING: Check to see that all connections are tight, including the ground, and that no bare wire is visible at the wire nuts, except for the ground wire.

- Follow the steps below to connect the fan to your house supply wires. Secure the wire nuts (BB) supplied with your fan by wrapping the connections with electrical tape.
- Put the end of the cable through the holes of the crimping column and form a small loop of suitable size. Then tighten the crimping screws to lock the cable. Use a wood screw (FF) with a metal washer (GG) through the cable loop and secure it at the ceiling.



ATTENTION: This steel cable is a protection device to prevent people being hurt in case the fixture drops accidentally. It must be securely installed.

- Connect the black (live) wire from the power supply to the black wire “AC in L” from the receiving unit.
- Connect the white (neutral) wire from the power supply to the white wire “AC in N” from the receiving unit.
- Connect the black (live) wire from the ceiling fan to the black wire “MOTOR L” from the receiving unit.
- Connect the white (neutral) wire from the ceiling fan to the white wire “MOTOR N” from receiving unit.
- Connect the blue wire from the ceiling fan to the blue wire “LIGHT +” from the receiving unit.
- Connect the orange wire from the ceiling fan to the orange wire “LIGHT -” from the receiving unit.
- Connect the ground conductor of the 120V supply (this may be a bare wire or a wire with green-colored insulation) to the green ground lead(s) of the fan. There are two green grounding leads: one from the mounting bracket and one from the hanger ball/ downrod (D) assembly.
- Secure the wire connections with plastic wire nuts (BB) provided with the electrical hardware.
- Insert the receiver into the mounting bracket with the flat side of the receiver facing the ceiling.



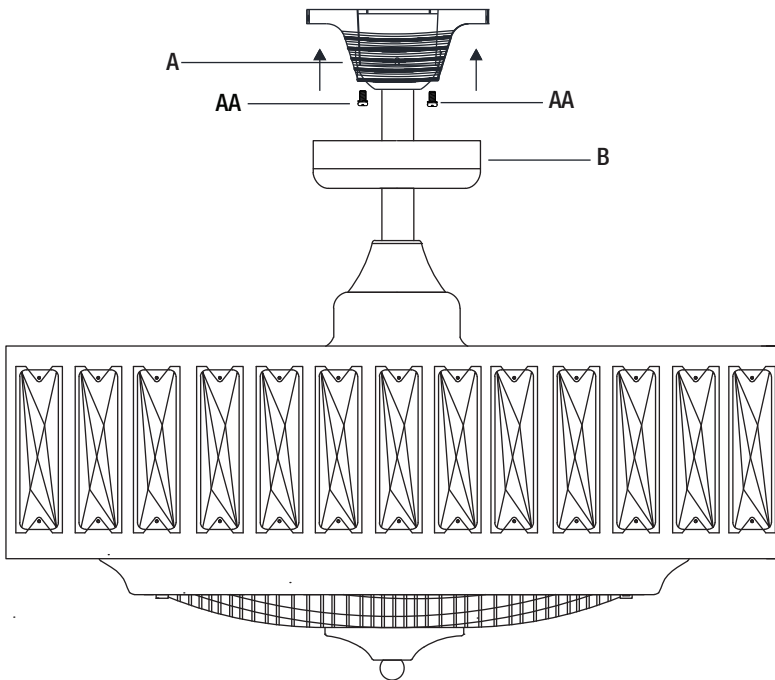
Assembly - Standard Ceiling Mount (continued)

6 Mounting the fan



WARNING: When using the standard ball/downrod mounting, the tab in the ring at the bottom of the mounting bracket must rest in the groove of the hanger ball. Failure to properly seat the tab in the groove could cause damage to the wiring.

- Align the locking slots of the ceiling canopy (B) with the two canopy screws (AA) in the mounting bracket (A). Push up to engage the slots and turn clockwise to lock in place.
- Install the two canopy screws (AA) (saved from Assembly step 1, "Preparing for mounting") into the holes in the canopy (B) and tighten them firmly.



Operation

OPERATING THE REMOTE CONTROL

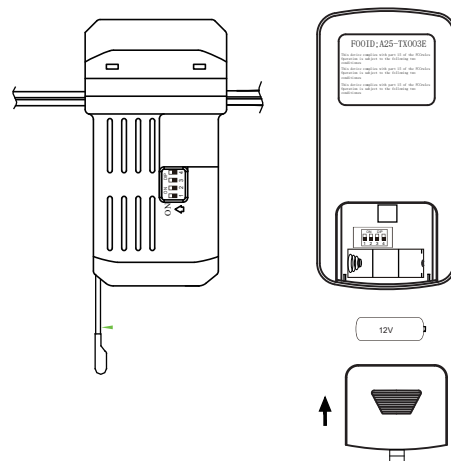
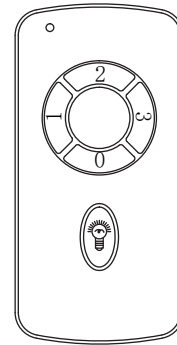
- Remove the battery cover on the back of the remote control and install a 12V battery. Reattach the battery cover.
- Slide the code switches on the receiver to the same positions that are set on the remote control.

Speed Control

- Press the 1, 2, or 3 button to start the fan.
- Press the 0 button to stop the fan.

Light Control

- Press  to turn the light on or off.
- Press and hold  to dim the light.



Care and Cleaning



WARNING: Make sure the power is off before cleaning your fan.

- Because of the fan's natural movement, some connections may become loose. Check the support connections, brackets, and blade attachments twice a year. Make sure they are secure. It is not necessary to remove the fan from the ceiling.
- Clean your fan periodically to help maintain its new appearance over the years. Do not use water when cleaning, as this could damage the motor or wood, or possibly cause an electrical shock. Use only a soft brush or lint-free cloth to avoid scratching the finish. The plating is sealed with a lacquer to minimize discoloration or tarnishing.
- You can apply a light coat of furniture polish to the wood for additional protection and enhanced beauty. Cover small scratches with a light application of shoe polish.
- You do not need to oil your fan. The motor has permanently lubricated, sealed ball bearings.
- Always unplug the fan before cleaning, disassembly or servicing.

Troubleshooting

Problem	Solution
The fan will not start.	<ul style="list-style-type: none"><input type="checkbox"/> Check the main and branch circuit fuses or breakers.<input type="checkbox"/> Check the line wire connections to the fan and switch wire connections in the switch housing.<input type="checkbox"/> Check the battery in the remote control.<input type="checkbox"/> Ensure you are in the normal range of 10-20 feet.<input type="checkbox"/> Turn the power off and ensure that the dip switch settings are the same on the remote control and receiver.
The fan is noisy.	<ul style="list-style-type: none"><input type="checkbox"/> Ensure all motor housing screws are snug.<input type="checkbox"/> Ensure the screws that attach the fan blade bracket to the motor hub are tight.<input type="checkbox"/> Ensure the wire nut connections are not rattling against each other or the interior wall of the switch housing.<input type="checkbox"/> Allow a 24-hour "breaking in" period. Most noises associated with a new fan disappear during this time.<input type="checkbox"/> If you are using the ceiling fan light kit, ensure the screws securing the glassware are tight. Check that the light bulbs are also secure.<input type="checkbox"/> Ensure the canopy is a short distance from the ceiling. It should not touch the ceiling.<input type="checkbox"/> Ensure your outlet box is secure and rubber isolator pads were used between the mounting plate and outlet box.
The fan wobbles.	<ul style="list-style-type: none"><input type="checkbox"/> Check that all blade and blade arm screws are secure.<input type="checkbox"/> Most fan wobble problems are caused when blade levels are unequal. Check this level by selecting a point on the ceiling above the tip of one of the blades. Measure from a point on the center of the blade to the point on the ceiling. Rotate the fan until the next blade is positioned for measurement, and measure from the same point on each blade to the ceiling. Any measurement deviation should be within 1/8 in. Run the fan for ten minutes. If the fan continues to wobble, please contact Truly Green Solutions Customer Service. A balancing kit will be sent to you at no charge.

IC Statement

This device contains license-exempt transmitter(s)/receiver(s) that comply with Innovation, Science and Economic Development Canada's license-exempt RSS(s). Operation is subject to the following two conditions :

- This device may not cause interference.
- This device must accept any interference, including interference that may cause undesired operation of the device.