

Date:	
Project Name:	
SKU #:	

NEPTUNE FFL-E™

Marine Flanking Light



APPLICATIONS

Marine. Outdoor, Wet Location

FEATURES

Construction

- Die-cast aluminum housing
- Finish follows corrosion standards according to ISO 9227:2012.

Finish

- Black
- White*

Electrical & Technical

- Input Voltage: 100-277V
- Input Frequency: 50/60Hz
- Projected Life: L70 > 54,000 hrs
- PF: >0.9
- CRI: 75 +
- THD: <20%
- CCT: 2200K*, 3000K*, 4000K or 5000K
- Operating Temp.: -22°F ~ 122°F
- IP Rating: IP65
- Surge Protection: 3.75kV [Included]

Optical

- Tempered Glass Lens
- 120° Beam Angle
- 90° Beam Angle
- 60° Beam Angle
- 125° Beam Angle

Installation/Mounting

- Trunnion Mount

Controls

- 1-10V Dimming

Lumen Output

- 100W: 13,000lm
- 150W: 19,500lm

Warranty

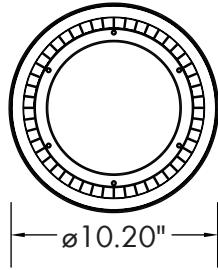
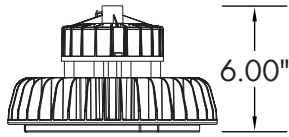
- 5 Year Warranty
 - 7/10 Year Warranty Available.
- See warranty documentation for more information.



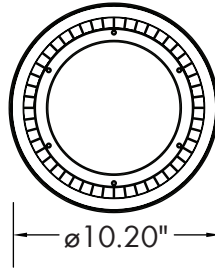
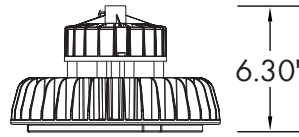
ORDERING INFORMATION EXAMPLE: FFL-E-100W-40-WD-U-D-TM-B

Series	Wattage	CCT	Beam Angle	Input Voltage	Dimming	Mounting Option	Finish
FFLE	100W 150W	22 - 2200K* 30 - 3000K* 40 - 4000K 50 - 5000K	WD - 120° MD - 90° NF - 60° NS - 15°	U - 100-277V	D - 1-10V Dimming	TM - Trunnion Mount	B - Black W - White *

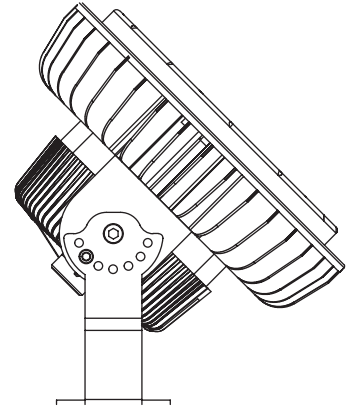
DIMENSIONS



Weight: 6 lb.



Weight: 7 lb.



LUMEN OUTPUT

SKU	Wattage (W)	Delivered Lumens (lm)	Efficacy (lm/W)
FFLE-100W-50K-WD-U-D-TM-X	100	13000	130
FFLE-150W-50K-WD-U-D-TM-X	150	19500	130

ACCESSORIES



Adjustable Trunion Mounting Bracket
(Included)
[TM]