

Date:	
Project Name:	
SKU #:	

**ALP™ G2**  
Area & Site Light



**APPLICATIONS**

Commercial Parking Lots, Pedestrian Pathways, Street Lighting, Site and Recreational Sports

**FEATURES**

**Construction**

- Rugged Die-cast Aluminum Housing
- Modular Light Engine [IP67 Rating]

**Finish**

- Dark Bronze
- Gray\*
- Black\*
- White\*

**Electrical & Technical**

- Input Voltage: 120-277V  
277-480V [Option]
- Input Frequency: 50/60Hz
- Projected Life: L70 > 140,000 hrs
- PF: >0.9
- CRI: 70
- THD: <20%
- CCT: 3000K, 4000K, 5000K, or 5700K  
[Zero Uplight/Dark Sky Friendly Compliant at 3000K]
- Operating Temp.: -40°F ~ 113°F
- IP Rating: IP66 Fixture Enclosure
- Surge Protection: 10kV [Included]
- Surge Protection: 20kV [Option]

**Optical**

- Distribution Type:
  - Type II
  - Type III
  - Type IV
  - Type V

**Installation/Mounting**

- 2 3/8" Round Tenon
- 1.57" Round Tenon
- Square Pole
- Round Pole
- Trunnion Mount

**Controls**

- 1-10V Dimming
- Bi-level Occupancy/Daylight Harvesting Sensor [Option]
- On/Off Photocell [Option]
- Dimulator Dimming Photocontrol [Option]
- Radiant Wireless Control System [Option]

**EPA Rating**

- See Page 3

**Warranty**

- 5 Year Warranty  
See warranty documentation for more information.

**Lumen Output**

- See Page 4



**ORDERING INFORMATION** **EXAMPLE: ALP2-100-30-3-U-SLA-D-D0**

Series	Wattage	CCT	Distribution	Input Voltage	Mount	Finish	Controls Option
ALP2	80 - 80W 100 - 100W 120 - 120W 150 - 150W 200 - 200W 240 - 240W 320 - 320W 400 - 400W 500 - 500W 600 - 600W	30 - 3000K 40 - 4000K 50 - 5000K 57 - 5700K	2 - Type II 3 - Type III 4 - Type IV 5 - Type V	U - 100-277V H - 277-480V	SLA (For 2 3/8" Round Tenon) SLB (For 1.57" Round Tenon) SLD (For Square Pole) SLE (For Round Pole)	D - Dark Bronze G - Gray* B - Black* W - White*	D0 (Without Control Sensors) D1 (Radiant Wireless Control System) D1-5SC (5 Pin Receptacle W/Shortcap) D1-5PC (5 Pin Receptacle W/On/Off Photocell) D1-7SC (7 Pin Receptacle W/Shortcap) D1-7PC (7 Pin Receptacle W//On/Off Photocell) D4 (Bi-level Occupancy/Daylight Harvesting Sensor) DIM4-U (Dimulator 120-277V with 7 pin) DIM4-H (Dimulator 480V with 7 pin)

Accessories	Motion Sensor	Light Spill Shield
ALP2-TRU (Trunnion) Other Mounting Accessories (Click Here For Details) ALP2-FS (Field Adjustable Lumen Switch) SP-U-20kV (20kV/10kA Surge Protection [120-277V]) SP-H-20kV (20kV/10kA Surge Protection [277-480V]) DSF (Zero uplight/Dark Sky Friendly at 3000K)	FDP-301-L2-G (Network Motion Sensor) FDP-301-L2-W (Network Motion Sensor) FDP-301-L7-G (Network Motion Sensor) FDP-301-L7-W (Network Motion Sensor)	ALP2-S-BLS (Back Light Shield [80W-200W]) ALP2-M-BLS (Back Light Shield [240W-600W]) ALP2-S-FLS (Full Light Spill Shield [80W-200W]) ALP2-M-FLS (Full Light Spill Shield [240W-600W]) ALP2-S-BLC (Back Light Control [80W-320W]) ALP2-M-BLC (Back Light Control [400W-600W])

\*Note: Back Light Control sold as individual units:  
• ALP2-S-BLC [2 units per fixture (80W~200W)]  
• ALP2-S-BLC [3 units per fixture (240W~320W)]  
• ALP2-M-BLC [3 units per fixture (400W~600W)]

FEATURES

**Constructions**

- IP66 Die-cast Aluminum Housing
- Modular Design For Easy Installation, Replacement, & Maintenance
- Sleek Low Profile Design: Low EPA Rating

**Finish**

- Corrosion Resistant Polyester
- Standard Finish: Dark Bronze
- Available Finish:



Dark Bronze  
Pantone:  
Black 7 U



Gray  
Pantone:  
Cool Gray 3 U



Black  
Pantone:  
Black 3 C



White  
Pantone:  
663 M

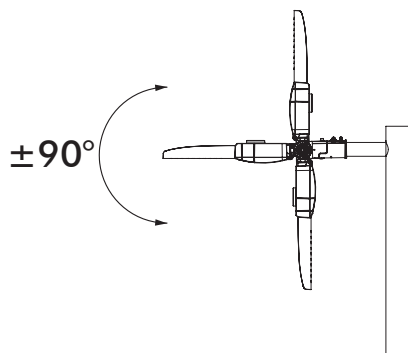
**LED Module**

- IP67 LED Module
- Type II, III, IV, V Distribution



**Mounting**

- Standard Mounting Diameter: 2 3/8" (60mm)
- 6 Mounting Options
- Adjustable Mounting



**Pressure Release Valve**

- Release Pressure To Prevent Moisture Buildup

**Accessories**

- Multiple Light Spill Shield Available



**Electrical/Control**

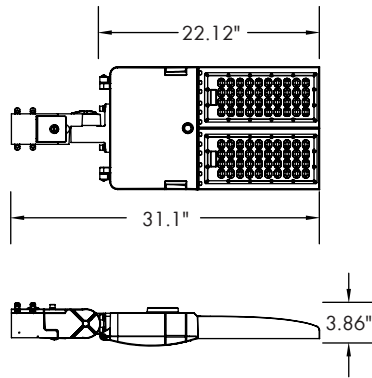
- 120-277VAC & 277-480VAC Available
- Dimulator Dimming Photocontrol, Photocell, or Bi-level Occupancy/Daylight Harvesting Sensor Available
- Surge Protection:
  - 10kV [Standard]
  - 20kV [Optional]
- Radiant Wireless Control System

**Tool-less Driver Compartment**

- Convenient Tool-less Driver Compartment Release For Quick Wiring & Service

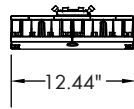


TECHNICAL DETAIL



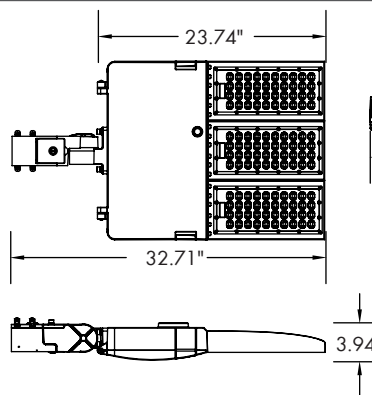
**EPA: 0.50ft<sup>2</sup>**

Net Weight: 21.3 lb.  
Gross Weight: 24.0 lb.



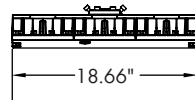
Wattage	*System Efficacy	
	3000K	4000K/5000K/5700K
80W	150lm/W	160lm/W
100W	150lm/W	160lm/W
120W	140lm/W	155lm/W
150W	140lm/W	155lm/W
200W	140lm/W	150lm/W

Configuration	1	2@180°	2@90°	3@90°	3@120°	4@90°	2@180°
EPA (ft <sup>2</sup> )	0.50	1.00	0.77	1.27	0.93	1.27	1.00
Weight (lb.)	21.3	42.6	42.6	63.9	63.9	85.2	42.6



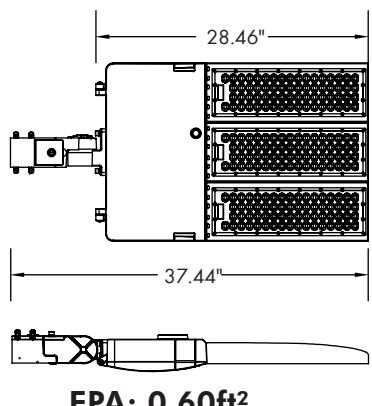
**EPA: 0.53ft<sup>2</sup>**

Net Weight: 26.9 lb.  
Gross Weight: 30.4 lb.



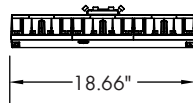
Wattage	*System Efficacy	
	3000K	4000K/5000K/5700K
240W	145lm/W	160lm/W
320W	135lm/W	150lm/W

Configuration	1	2@180°	2@90°	3@90°	3@120°	4@90°	2@180°
EPA (ft <sup>2</sup> )	0.53	1.06	0.96	1.49	0.99	1.49	1.06
Weight (lb.)	26.9	53.8	53.8	80.7	80.7	107.6	53.8



**EPA: 0.60ft<sup>2</sup>**

Net Weight: 33.0 lb.  
Gross Weight: 37.0 lb.



Wattage	*System Efficacy	
	3000K	4000K/5000K/5700K
400W	140lm/W	150lm/W
500W	130lm/W	135lm/W
600W	130lm/W	135lm/W

Configuration	1	2@180°	2@90°	3@90°	3@120°	4@90°	2@180°
EPA (ft <sup>2</sup> )	0.60	1.20	1.03	1.63	1.12	1.63	1.20
Weight (lb.)	33.0	66.0	66.0	99.0	99.0	132.0	66.0

**PERFORMANCE TABLE**

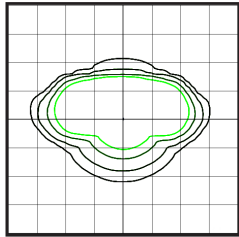
**Lumen Output**

Lumen value are from photometric test performed in accordance with IESNA LM-70-08. Data is considered to be representative of the configurations shown, within the tolerances allowed by Lighting Facts Contact factory for performance data on any configurations not shown here.

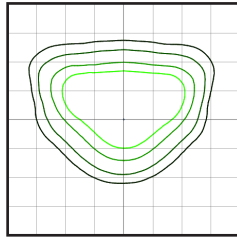
System Watts	Dist. Type	3000K				4000K				5000K			
		Lumens	B	U	G	Lumens	B	U	G	Lumens	B	U	G
80W	2	-	-	-	-	13390	3	0	2	-	-	-	-
	3	-	-	-	-	13203	2	0	2	-	-	-	-
	4	-	-	-	-	13127	2	0	3	-	-	-	-
	5	-	-	-	-	12766	3	0	2	-	-	-	-
100W	2	-	-	-	-	16332	2	0	2	-	-	-	-
	3	-	-	-	-	16274	3	0	2	-	-	-	-
	4	-	-	-	-	15961	3	0	2	-	-	-	-
	5	-	-	-	-	15860	3	0	3	-	-	-	-
120W	2	17205	3	0	3	17511	3	0	2	17983	3	0	2
	3	17324	2	0	2	17853	3	0	2	18396	2	0	2
	4	17514	3	0	2	17604	3	0	2	17974	3	0	2
	5	17893	4	0	2	18369	4	0	2	18601	4	0	2
150W	2	21297	3	0	3	21813	3	0	3	22381	3	0	3
	3	21448	3	0	3	22345	3	0	3	22907	3	0	3
	4	21058	3	0	3	22225	3	0	3	22401	3	0	3
	5	21603	4	0	2	22729	4	0	2	23289	4	0	2
200W	2	27891	3	0	3	28524	3	0	3	29358	3	0	3
	3	27944	3	0	3	28954	3	0	3	29612	3	0	3
	4	27083	3	0	3	28564	3	0	3	29221	3	0	3
	5	27561	5	0	3	29729	5	0	3	30264	5	0	3
240W	2	34805	4	0	3	36651	4	0	3	37339	4	0	3
	3	35476	3	0	4	36527	4	0	4	37955	4	0	4
	4	34854	4	0	4	37052	4	0	4	37685	4	0	4
	5	35529	5	0	5	37720	5	0	4	38930	5	0	3
320W	2	44481	4	0	3	45022	4	0	4	48034	4	0	3
	3	42375	4	0	4	44784	4	0	4	46333	4	0	4
	4	42401	4	0	4	45096	4	0	4	46150	5	0	4
	5	42859	5	0	3	46722	5	0	4	48317	5	0	4
400W	2	55736	5	0	5	58008	5	0	4	59172	5	0	4
	3	55611	5	0	5	57664	5	0	5	59443	5	0	5
	4	56058	5	0	4	57883	5	0	5	59168	5	0	4
	5	57085	5	0	4	59260	5	0	4	61459	5	0	4
500W	2	65018	5	0	4	67761	5	0	4	69196	5	0	4
	3	63624	5	0	5	66690	5	0	5	67478	5	0	5
	4	63963	5	0	5	65758	5	0	5	67807	5	0	5
	5	65463	5	0	4	67945	5	0	5	69639	5	0	4
600W	2	80855	5	0	5	84806	5	0	5	84803	5	0	5
	3	79985	5	0	5	84543	5	0	5	84545	5	0	5
	4	80652	5	0	5	84802	5	0	5	84803	5	0	5
	5	81095	5	0	4	85252	5	0	4	85257	5	0	4

PHOTOMETRIC DATA

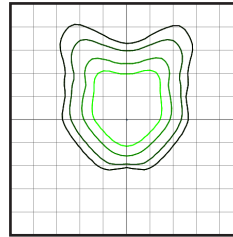
\* IESNA LM-63 IES Available



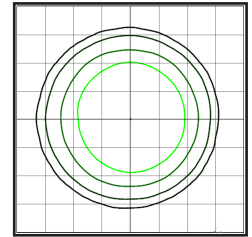
Type II



Type III



Type IV



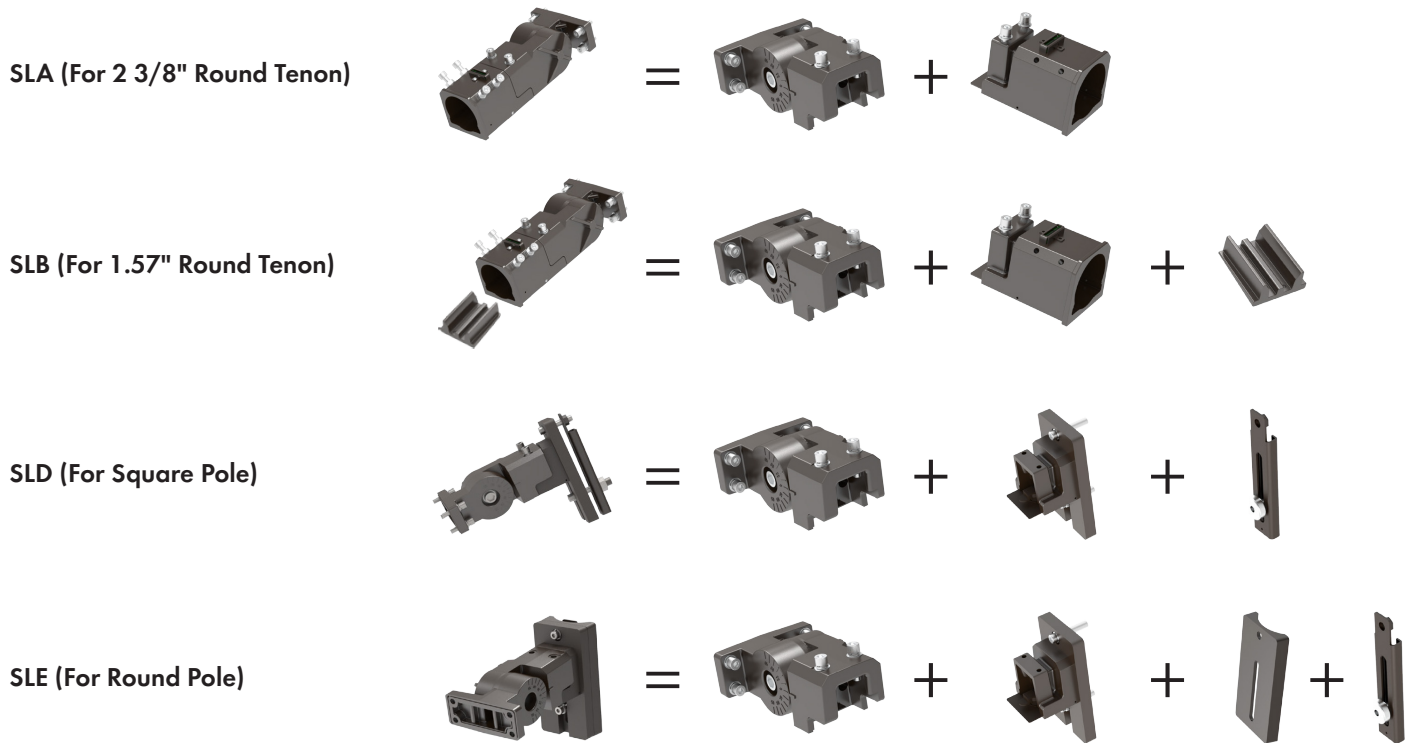
Type V

Multiplier	Mounting Height
2.8	15'
1.6	20'
1.0	25'
0.7	30'
0.5	35'

ELECTRICAL LOAD

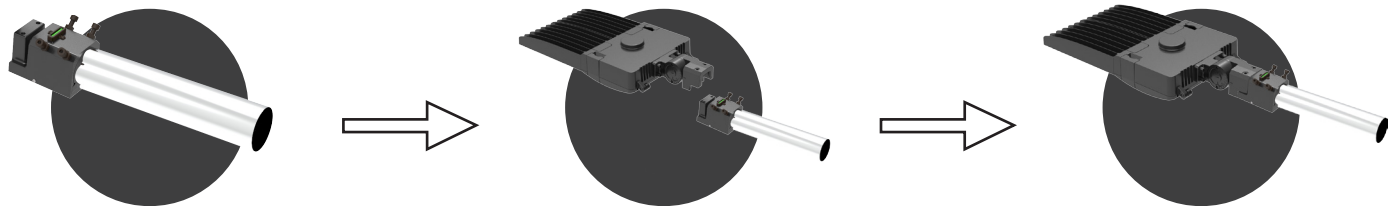
Wattage (W)	Current (A)					
	120V	208V	240V	277V	347V	480V
	Input Voltage					
80	0.67	0.38	0.33	0.29	0.23	0.17
100	0.83	0.48	0.42	0.36	0.29	0.20
120	1.00	0.58	0.50	0.43	0.34	0.25
150	1.25	0.72	0.63	0.54	0.43	0.31
200	1.68	0.96	0.83	0.72	0.57	0.42
240	2.00	1.15	1.00	0.87	0.69	0.50
320	2.67	1.54	1.33	1.16	0.92	0.67
400	3.33	1.92	1.67	1.44	1.15	0.83
500	4.17	2.40	2.08	1.81	1.44	1.04
600	5.00	2.88	2.50	2.16	1.72	1.25

BRACKET TYPE

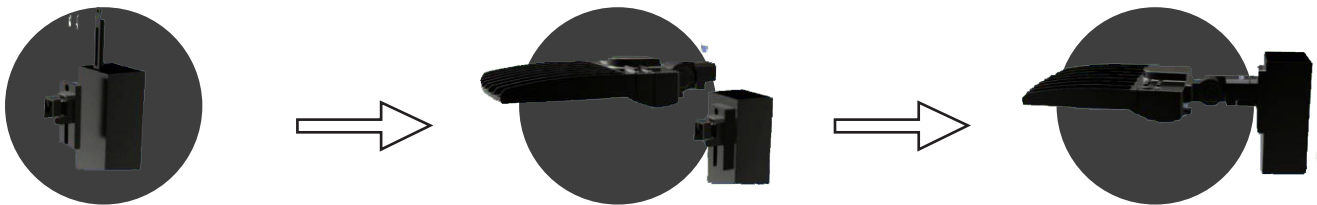


BRACKET INSTALLATION

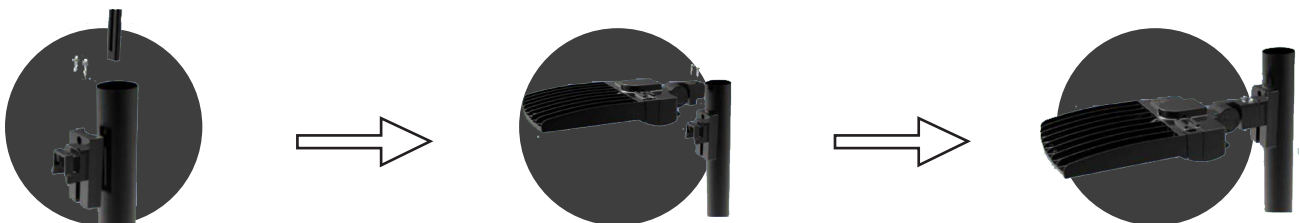
SLA or SLB – Different O.D. Tenon Mount



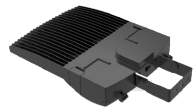
SLD – Square Pole Mount



SLE – Round Pole Mount



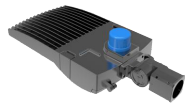
ACCESSORIES



**Trunnion**



ALP2-TRU



**Photocell or Dimulator Dimming Photocontrol**



D1



DIM4-X



**Bi-level Occupancy/Daylight Harvesting Sensor**



D4



FDP-301



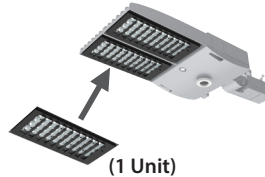
**Back Light Shield**

ALP2-S-BLS (80W~200W)  
ALP2-M-BLS (240W~600W)



**Full Spill Light Shield**

ALP2-S-FLS (80W~200W)  
ALP2-M-FLS (240W~600W)



**Back Light Control**

ALP2-S-BLC (80W~320W)  
ALP2-M-BLC (400W~600W)

[80W~200W (2 UNITS)]  
[240W~320W (3 UNITS)]  
[400W~600W (3 UNITS)]  
(Sold as individual Units)

CONTROL PRE-COMMISSIONING

Default setting are indicated by\*

Sensitivity Range	Time Delay	Daylight Harvesting	Stand-by Light Level Setting	Stand-by Time Setting
20%	10s	<b>Light Sensor Disabled*</b>	0%	∞
50%	1min	1FC (10lux)	<b>10%*</b>	1min
75%	<b>5min*</b>	3FC (30lux)	30%	30min
<b>100%*</b>	15min	5FC (50lux)	50%	<b>60min*</b>

**Sensitivity Range:**

Setting that determines the sensitivity range of the motion sensor when the daylight sensor is disabled.

**Time Delay:**

The light can be set to stay ON for any period of time between approx. 10 sec. to a maximum of 60 min. Any movement detected before this time elapse will re-start the timer.

**Daylight Harvesting:**

The chosen light response threshold can be disabled or respond when photocell detects foot candle levels 1-5 FC

**Stand-by Light Level:**

Setting determines how much lumen output is dimmed down to when no motion is detected.

**Stand-by Time:**

Setting determines how long after stand-by light level occurs the light will shut off. Up to 60 minutes.

## DIMULATOR: STAND-ALONE LED DIMMING PHOTOCONTROL

**Features**

- Factory preset dimming - no selector switch
- 10 Year Warranty
- Compliant with ANSI C136.41 receptacle
- Optional constant all night dimming
- Adaptive lighting control with progressive intensities
- 40kV Surge Protection
- High voltage version available
- Advance time/date algorithm auto-adjusts for daylight savings
- Automatically synchronize to local time

**Patent #9210746****Bat Eye Technology**

- Advanced light sensor, only reacts to sunlight
- Immune to LED and other artificial light
- No false activation (no cycling)
- May be oriented in any direction

## ELL PHOTOCELL: EXTRA LONG LIFE PHOTOCONTROL

**Features**

- Designed to meet or exceed the life expectancy of LED fixtures.
- 10 Year Warranty
- 40kV Surge Protection
- High voltage version available

**Bat Eye Technology**

- Advanced light sensor, only reacts to sunlight
- Immune to LED and other artificial light
- No false activation (no cycling)
- May be oriented in any direction





**RADIANT WIRELESS CONTROL SYSTEM**

**RADIANT™**  
WIRELESS CONTROL SYSTEM



- Utility grade power monitoring.
- WiFi Mesh Receiver Nodes.
- Communication range is up to 1 mile line of sight.
- Control dimming and On/Off.
- Secure, over-the-air software upgrades.



- Manual/Remote/Web access to Nodes.
- Control up to 1000 Nodes.
- Weather protected.
- Optional, pre-configured 5 button switch to allow for control of all lighting (Central Base Station only).



**Wattstopper FDP-301 Network Controlled Sensor (Optional)**

**Central Control Base Station (Optional)**

or

**SimplySnap Controller**

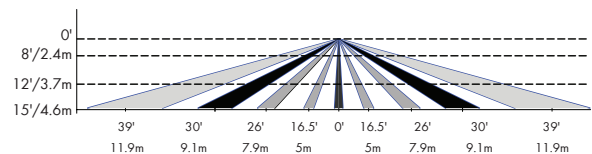
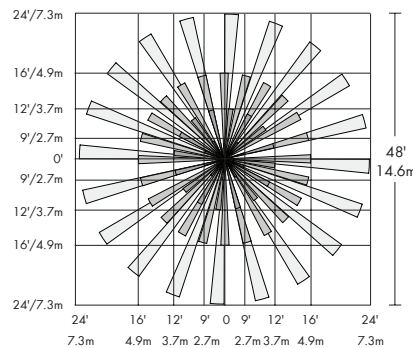
**WiFi or LAN Network with browser based control interface**

**Optional Cloud Control with Verizon 4G LTE**

**WATTSTOPPER® FDP-301 NETWORK CONTROLLED MOTION SENSOR**

**L2 Lens** The FDP-L2 is designed for mounting at heights between 8'-15'. It provides 48' diameter coverage area when mounted at height 8' or a 78' coverage area at 15'.

**Top View @ 8'**



**L7 Lens** The FDP-L7 has a lens that covers a 100' diameter area at a height of 40'

**Top View @ 40'**

