

CONTOUR™ T24
Architectural Troffer

Date:	
Project Name:	
SKU #:	

APPLICATIONS

Commercial, Retail, Institution, and Hospitality

FEATURES**Construction**

- Extruded Aluminum Housing
- Backlit

Finish

- Powder Coated White

Electrical & Technical

- Input Voltage: 110-277V
110-347V* [Option]
- Input Frequency: 50/60Hz
- Projected L70 > 50,000 hrs
- PF: >0.9
- CRI: >80
- THD: <20%
- CCT Selectable: 3500K/4000K/5000K
- Field Adjustable Lumen Output
- Operating Temp.: -4°F ~ 104°F
- Class 2 Driver (1-10V Dimming)
- Damp Location Rated
- Emergency Battery Backup [Option]
[Factory Installed]
- 15W Emergency Inverter [Option]
- 10W Bodine Inverter [Option]

Optical

- 120° Beam Angle

Installation/Mounting

- Recessed Mount

Controls

- 1-10V Dimming (Dims to 10%)

Warranty

- 5 Year Warranty
- See warranty documentation for more information.

Dimmer Compatibility List:

Leviton: IP-710-DL
Lutron: Diva-Drtv

Lumen Output

- 1'x4' and 2'x2':
- 25W: 2,750lm
 - 30W: 3,300lm
 - 35W: 3,850lm
- 2'x4':
- 30W: 3,300lm
 - 40W: 4,400lm
 - 50W: 5,500lm

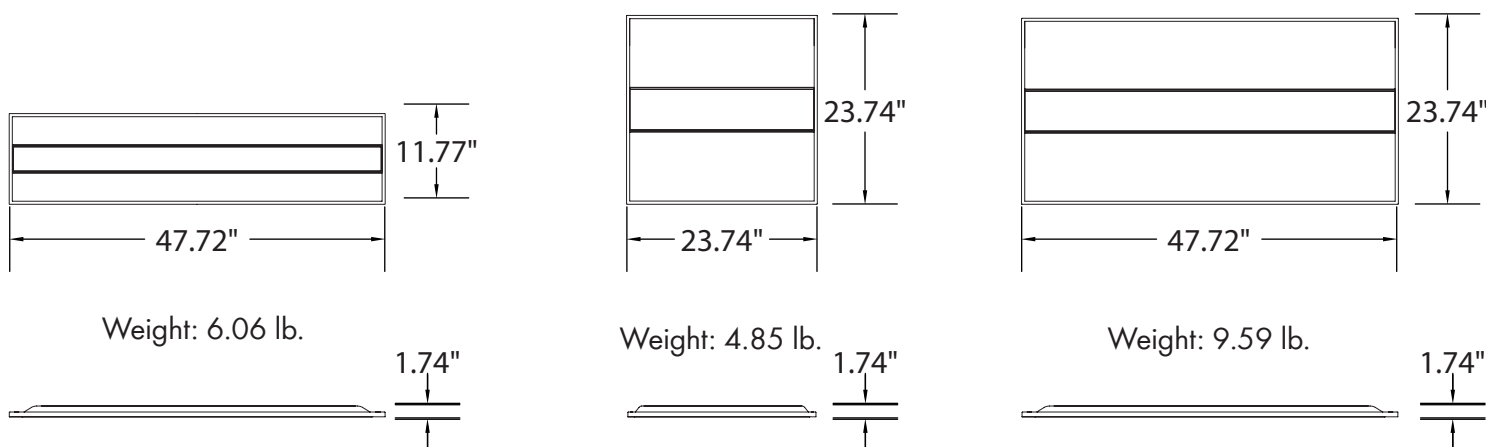
**ORDERING INFORMATION****EXAMPLE: CT-22-25-C-U**

Series	Size	Wattage	CCT	Input Voltage
CT	14 - 1'x4' 22 - 2'x2'	25 - 25W 30 - 30W 35 - 35W	C - 3500K/4000K/5000K	U - 110-277V H - 110-347V*
	24 - 2'x4'	30 - 30W 40 - 40W 50 - 50W		

Accessories

90008-H-GEN3 (8W Emergency Battery Backup)
ELIS10CDF (Bodine 10W Inverter)
TGS-15W-INT (EM Inverter 15W)
T-BR-EM (T-Bar Bracket for EM Backup)

DIMENSIONS



LUMEN OUTPUT

SKU	Size (LxW)	Wattage (W)	Delivered Lumens (lm)	Efficacy (lm/W)
CT-14-25-C-U	1'x4'	25	2750	110
CT-14-30-C-U	1'x4'	30	3300	110
CT-14-35-C-U	1'x4'	35	3850	110
CT-22-25-C-U	2'x2'	25	2750	110
CT-22-30-C-U	2'x2'	30	3300	110
CT-22-35-C-U	2'x2'	35	3850	110
CT-24-30-C-U	2'x4'	30	3300	110
CT-24-40-C-U	2'x4'	40	4400	110
CT-24-50-C-U	2'x4'	50	5500	110

ACCESSORIES



Recessed Mounted Integral Clips [T-bar] (Standard)



High Voltage Emergency Battery Backup (8W) [Factory Installed] (Option) [90008-H-GEN3]



Bodine Inverter 10W (Option) [ELIS10CDF]



Emergency Inverter 15W (Option) [TGS-15W-INT]



T-Bar Emergency Battery Bracket (Option) [T-BR-EM]