

| | |
|---------------|--|
| Date: | |
| Project Name: | |
| SKU #: | |

CONTOUR™ Troffer
Wattage & CCT Selectable Architectural Troffer



APPLICATIONS

Commercial, Retail, Institution, and Hospitality

FEATURES

- | | |
|---|--|
| <p>Construction</p> <ul style="list-style-type: none"> - Extruded Aluminum Housing - Backlit | <p>Finish</p> <ul style="list-style-type: none"> - Powder Coated White |
| <p>Electrical & Technical</p> <ul style="list-style-type: none"> - Input Voltage: 110-277V 110-347V* [Option] - Input Frequency: 50/60Hz - Projected L70 > 50,000 hrs - PF: >0.9 - CRI: >80 - THD: <20% - CCT Selectable: 3500K/4000K/5000K - Field Adjustable Lumen Output - Operating Temp.: -4°F ~ 104°F - Class 2 Driver (1-10V Dimming) - Damp Location Rated - Emergency Battery Backup [Option] [Factory Installed] - 15W Emergency Inverter [Option] - 10W Bodine Inverter [Option] - City of Chicago Environmental Air (CCEA) Rated [Option] | <p>Optical</p> <ul style="list-style-type: none"> - 120° Beam Angle |
| <p>Controls</p> <ul style="list-style-type: none"> - 1-10V Dimming (Dims to 10%) | <p>Warranty</p> <ul style="list-style-type: none"> - 5 Year Warranty See warranty documentation for more information. |
| <p>Dimmer Compatibility List:</p> <p>Leviton: IP-710-DL Lutron: Diva-Dtrv</p> | |
| <p>Lumen Output</p> <ul style="list-style-type: none"> • 1'x4': 25W (2,750lm)/30W (3,300lm)/35W (3,850lm) • 2'x2': 25W (2,750lm)/30W (3,300lm)/35W (3,850lm) • 2'x4': 30W (3,300lm)/40W (4,400lm)/50W (5,500lm) | |

Not all products are qualified on the DLC® QPL. To view our DLC® qualified products, please consult the DLC® Qualified Products List at www.designlights.org/qpl.



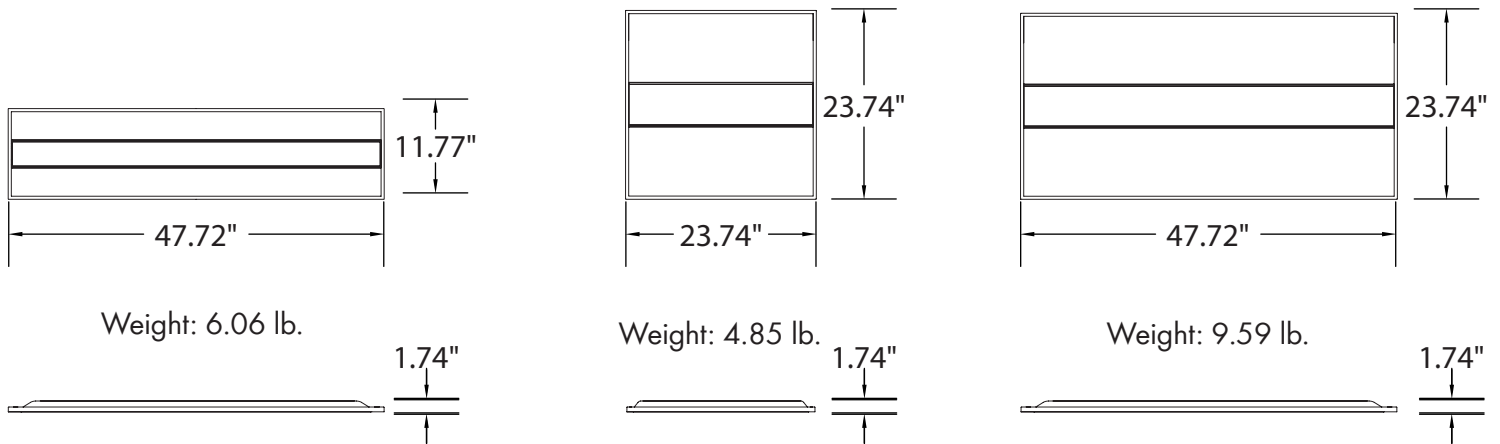
ORDERING INFORMATION **EXAMPLE: CT-22WS-C-U**

| Series | Size | Wattage | CCT | Input Voltage | Chicago Plenum |
|--------|--------------------------|------------------|-----------------------|-------------------------------|--|
| CT | 14 - 1'x4' 22 - 2'x2' | WS - 25W/30W/35W | C - 3500K/4000K/5000K | U - 110-277V H - 110-347V* | CP - Chicago Plenum CCEA Rated [Option] |
| | 24 - 2'x4' | WS - 30W/40W/50W | | | |

- Accessories**
- 90008-H-GEN3 (8W Emergency Battery Backup)
 - ELIS10CDF (Bodine 10W Inverter)
 - TGS-15W-INT (EM Inverter 15W)
 - T-BR-EM (T-Bar Bracket for EM Backup)

Note:

- Chicago Plenum CCEA Rated Option must be pre-determined wattage and CCT when ordering.

DIMENSIONS

LUMEN OUTPUT

| SKU | Size (LxW) | Wattage (W) | Delivered Lumens (lm) | Efficacy (lm/W) | Delivered Lumens (lm) | Efficacy (lm/W) | Delivered Lumens (lm) | Efficacy (lm/W) |
|-------------|------------|-------------|-----------------------|-----------------|-----------------------|-----------------|-----------------------|-----------------|
| CT-14WS-C-U | 1'x4' | 25/30/35 | 2750 (25W) | 110 | 3300 (30W) | 110 | 3850 (35W) | 110 |
| CT-22WS-C-U | 2'x2' | 25/30/35 | 2750 (25W) | 110 | 3300 (30W) | 110 | 3850 (35W) | 110 |
| CT-24WS-C-U | 2'x4' | 30/40/50 | 3300 (30W) | 110 | 4400 (40W) | 110 | 5500 (40W) | 110 |

ACCESSORIES


Recessed
Mounted
Integral Clips
[T-bar]
(Standard)



High Voltage
Emergency Battery
Backup (8W)
[Factory Installed]
(Option)
[90008-H-GEN3]



Bodine Inverter
10W
(Option)
[ELIS10CDF]



Emergency
Inverter 15W
(Option)
[TGS-15W-INT]



T-Bar Emergency
Battery Bracket
(Option)
[T-BREM]