

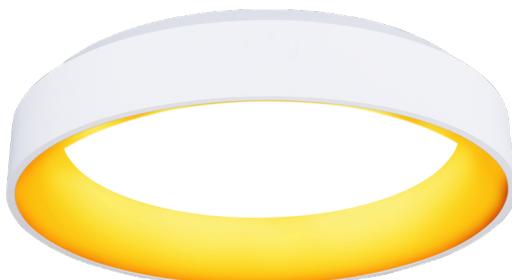
Date:	
Project Name:	
SKU #:	

GALAXY™ R

Suspended/Surface Architectural Round



Suspended Mount



Surface Mount

APPLICATIONS

Commercial, Retail, Office, Public Spaces

FEATURES

Construction

- Aluminum Body Housing
- Powder Coated Finish

Optical

- 160° Beam Angle

Electrical & Technical

- Input Voltage: 120-277V
- Input Frequency: 50/60Hz
- Projected Life: L70 > 50,000 hrs
- PF: >0.9
- CRI: >90
- THD: <20%
- CCT: 3000K, 3500K, 4000K, 5000K
- Operating Temp.: -4°F ~ 104°F
- Damp Location Rated

Installation/Mounting

- Suspended Mount
 - Available Lengths: 10' [Standard]
- Surface Mount

Warranty

- 5 Year Warranty
- See warranty documentation for more information.

Controls

- 0-10V Dimming

Lumen Output

- 12W: 840lm
- 15W: 1,050lm
- 25W: 1,750lm
- 36W: 2,520lm
- 50W: 3,500lm

STANDARD OUTER/INNER COLOR COMBINATIONS



NOTE: Any Custom Outer/Inner RAL Color Combinations Available*

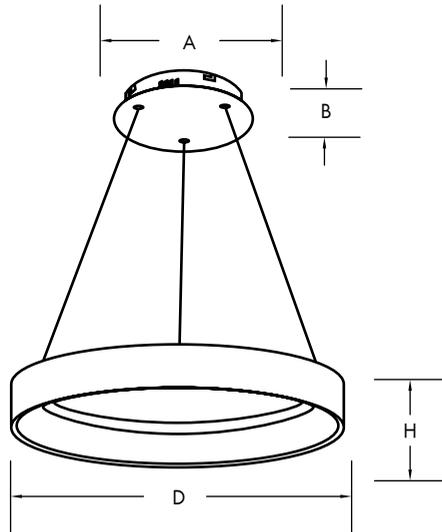


ORDERING INFORMATION

EXAMPLE: GAL-R-14-15-40-U-D1-BW-CM10

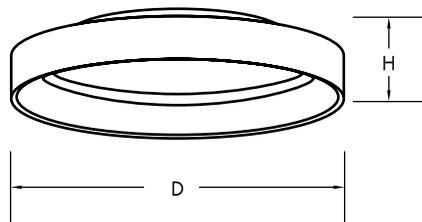
Series	Size	Wattage	CCT	Input Voltage	Control	Finish	Mounting Option
GAL-R	12 - 12"	12 - 12W	30 - 3000K	U - 120-277V	D1 - 0-10V Dimming	STANDARD BW - Black/White BB - Black/Black WW - White/White WB - White/Black CUSTOM* CC - Custom/Custom RAL	CM10 - Suspended Mount SM - Surface Mount
	14 - 14"	15 - 15W	35 - 3500K				
	18 - 18"	25 - 25W	40 - 4000K				
	24 - 24"	36 - 36W	50 - 5000K				
	32 - 32"	50 - 50W					

DIMENSIONS



Suspended Mount

Wattage	Fixture		Canopy	
	Diameter (D)	Height (H)	Diameter (A)	Height (B)
12W	ø11.8"	3.5"	ø10.0"	2.0"
15W	ø14.2"	3.5"	ø10.0"	2.0"
25W	ø17.7"	3.5"	ø10.0"	2.0"
36W	ø23.6"	3.5"	ø10.0"	2.0"
50W	ø31.5"	3.5"	ø10.0"	2.0"



Surface Mount

Wattage	Fixture	
	Diameter (D)	Height (H)
12W	ø11.8"	4.6"
15W	ø14.2"	4.6"
25W	ø17.7"	4.6"
36W	ø23.6"	4.6"
50W	ø31.5"	4.6"

LUMEN OUTPUT

SKU	Wattage (W)	Delivered Lumens (lm)	Efficacy (lm/W)
GAL-R-12-12-40-U-D1-BW-CM10	12	840	70
GAL-R-14-15-40-U-D1-BW-CM10	15	1050	70
GAL-R-18-25-40-U-D1-BW-CM10	25	1750	70
GAL-R-24-36-40-U-D1-BW-CM10	36	2520	70
GAL-R-32-50-40-U-D1-BW-CM10	50	3500	70