



COMBINED FAMILY SPECIFICATION

# THINTEK™ MINI R

Field Selectable Low Profile Surface Mount Round Downlight

---

**ThinTek™ Mini R - 3CCT Selectable 120V Downlight**

**ThinTek™ Mini R - 120-277V Downlight**

Date:	
Project Name:	
SKU #:	

**ThinTek™ Mini R**  
Surface Mount Downlight



**APPLICATIONS**

Residential, Commercial, Multi-Family Complex

**FEATURES**

**Construction**

- Injection Molded PC Housing
- Integrated driver with short circuit protection.

**Finish**

- White Trim [Standard]
- Satin Nickel Trim
- Matte Black Trim
- Chrome Trim
- [Trim Options Sold Separately]

**Electrical & Technical**

- Input Voltage: 120V
- Input Frequency: 60Hz
- Projected L70: > 60,000 hrs
- PF: >0.9
- CRI: >80 or >90 [Option]
- THD: <20%
- CCT Selectable: 3000K/4000K/5000K
- Operating Temp.: -4 °F ~ 104 °F
- Damp Location Rated

**Optical**

- Edge-lit
- 110° Beam Angle

**Installation/Mounting**

- Surface Mounted
- Recessed Housing Mounting:
  - Torsion Clip Kit Mounting (4")
  - Friction Clip Kit Mounting (5"/6")

**Controls**

- Triac Dimming

**Compliance**

- JA8 TITLE 24 Compliant at 90CRI

**Dimmer Compatibility List:**

Leviton: 6672-1LW  
Lutron: : MACL-153MR-WH, SCL-153P-WH, PD-6WCL-WH, CTCL-153P-WH, MSCL-OP153M-WH, DVCL-153P-WH

**Lumen Output**

- 5"/6W: 400lm
- 7"/12W: 1,000lm
- 9"/18W: 1,530lm
- 12"/24W: 2,160lm

**Warranty**

- 36,000 Hours Warranty
- See warranty documentation for more information.



**ORDERING INFORMATION** **EXAMPLE: 881224-R-TM-CC**

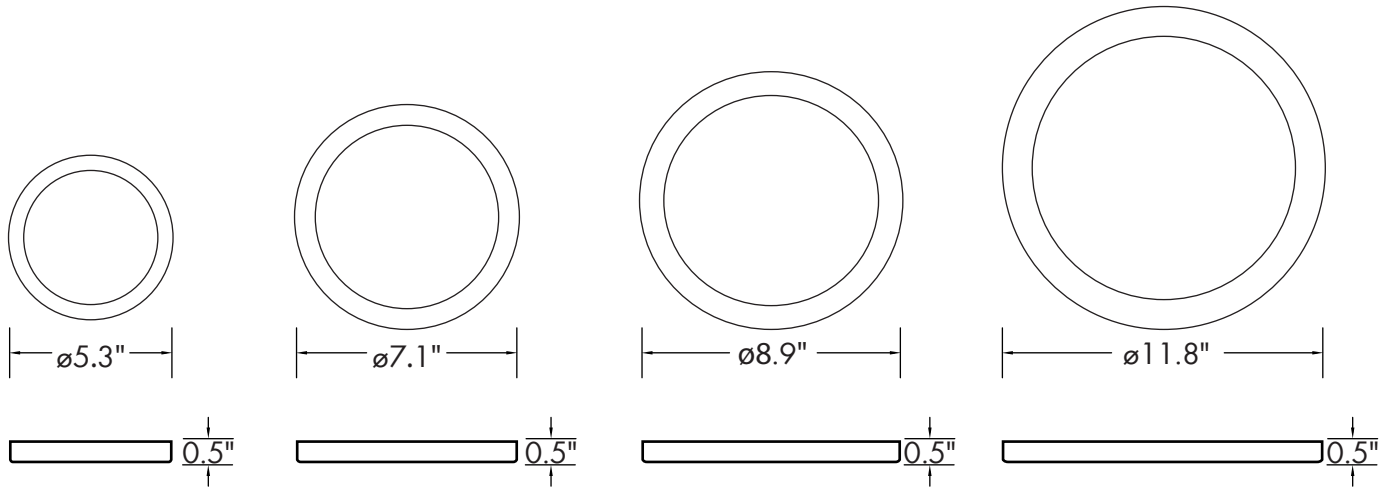
Panel	Size/Wattage	Shape/Type	Series	CCT	CRI
88	0506 - 5"/ 6W 0712 - 7"/12W 0918 - 9"/18W 1224 - 12"/24W	R - Round	TM - ThinTek™ Mini	CC - 3000K/4000K/5000K	90CRI [Option]

Trim Finish Options	Mounting Options
8805-R (5" Trim) 8807-R (7" Trim) 8809-R (9" Trim) 8812-R (12" Trim)	88-FC (4inch Friction Clip Retrofit Kit) 88-TC-R (5"/6" Torsion Clip Retrofit Kit)

[Choose Trim Size and Finish]  
Example: 8805-R-BL

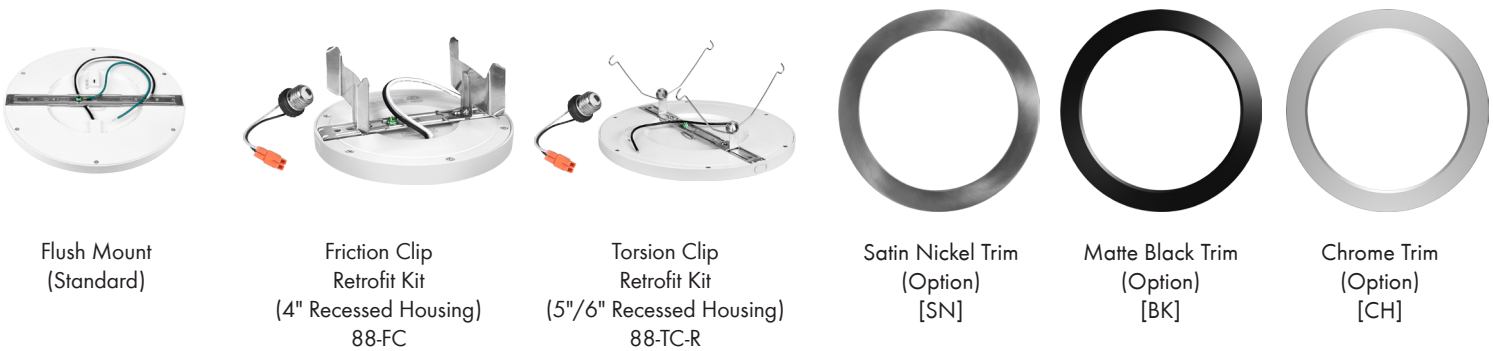
DIMENSIONS



LUMEN OUTPUT

SKU	Size (in)	Wattage (W)	Delivered Lumens (lm)	Efficacy (lm/W)
880506-R-TM-CC	5	6	400	67
880712-R-TM-CC	7	12	1000	83
880918-R-TM-CC	9	18	1530	85
881224-R-TM-CC	12	24	2160	90

ACCESSORIES



## ThinTek™ Mini R

Surface Mount Downlight



Date:	
Project Name:	
SKU #:	

### APPLICATIONS

Residential, Commercial, Multi-Family Complex

### FEATURES

#### Construction

- Injection Molded PC Housing
- Integrated driver with short circuit protection.

#### Electrical & Technical

- Input Voltage: 120-277V
- Input Frequency: 60Hz
- Projected L70: > 60,000 hrs
- PF: >0.9
- CRI: >80 or >90 [Option]
- THD: <20%
- CCT: 3000K, 4000K, 5000K
- Operating Temp.: -4°F ~ 104°F
- Damp Location Rated

#### Controls

- 0-10V Dimming

#### Dimmer Compatibility List:

Leviton: IP710-DLZ

Lutron: : DDTV, NFTV, NTSTV-DV

#### Lumen Output

- 7"/12W: 1,000lm
- 9"/18W: 1,530lm
- 12"/24W: 2,160lm

#### Finish

- White Trim [Standard]
- Satin Nickel Trim
- Matte Black Trim
- Chrome Trim
- [Trim Options Sold Separately]

#### Optical

- Edge-lit
- 110° Beam Angle

#### Installation/Mounting

- Surface Mounted
- Recessed Housing Mounting:
  - Torsion Clip Kit Mounting (4")
  - Friction Clip Kit Mounting (5"/6")

#### Compliance

- JA8 TITLE 24 Compliant at 90CRI

#### Warranty

- 36,000 Hours Warranty
- See warranty documentation for more information.



## ORDERING INFORMATION

EXAMPLE: 881224-R-TM-40-U-D

Panel	Size/Wattage	Shape/Type	Series	CCT	Input Voltage	Dimming	CRI
88	0712 - 7"/12W 0918 - 9"/18W 1224 - 12"/24W	R - Round	TM - ThinTek™ Mini	30 - 3000K 40 - 4000K 50 - 5000K	U - 120-277V	D - 0-10V Dimming	90CRI [Option]

#### Trim Finish Options

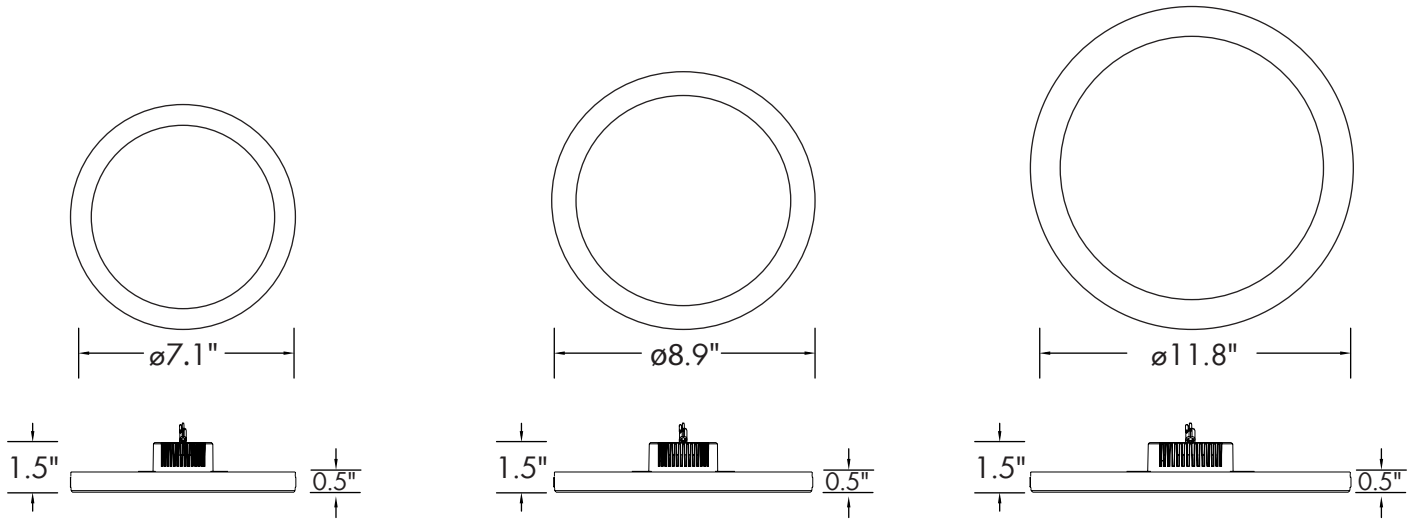
- |                   |                   |
|-------------------|-------------------|
| 8807-R (7" Trim)  | BL (Matte Black)  |
| 8809-R (9" Trim)  | SN (Satin Nickel) |
| 8812-R (12" Trim) | CH (Chrome)       |

#### Mounting Options

- |   |
|---|
| 88-FC (4inch Friction Clip Retrofit Kit)  |
| 88-TC-R (5"/6" Torsion Clip Retrofit Kit) |

[Choose Trim Size and Finish]  
Example: 8807-R-BL

**DIMENSIONS**



**LUMEN OUTPUT**

SKU	Size (in)	Wattage (W)	Delivered Lumens (lm)	Efficacy (lm/W)
880712-R-TM-40-U-D	7	12	1000	83
880918-R-TM-40-U-D	9	18	1530	85
881224-R-TM-40-U-D	12	24	2160	90

**ACCESSORIES**

