

Date:	
Project Name:	
SKU #:	

**Outline**  
T-Grid Lighting



**APPLICATIONS**

Commercial, Retail, Office, Public Spaces

**FEATURES**

- |  |   |
|--|---|
| <p><b>Construction</b></p> <ul style="list-style-type: none"> <li>- Aluminum frame for lightweight body.</li> </ul>  | <p><b>Finish</b></p> <ul style="list-style-type: none"> <li>- White Lens</li> </ul>   |
| <p><b>Electrical &amp; Technical</b></p> <ul style="list-style-type: none"> <li>- Input Voltage: 120-277V</li> <li>- Input Frequency: 50/60Hz</li> <li>- Projected Life: L70 &gt; 50,000 hrs</li> <li>- PF: &gt;0.9</li> <li>- CRI: &gt;80</li> <li>- THD: &lt;20%</li> <li>- CCT Selectable: 3500K/4000K/5000K</li> <li>- Operating Temp.: -22°F ~ 104°F</li> <li>- Damp Location Rated</li> <li>- 15W Emergency Inverter [Option]</li> <li>- 8W Emergency Battery Backup [Option]</li> </ul> | <p><b>Optical</b></p> <ul style="list-style-type: none"> <li>- Acrylic Lens</li> </ul>  |
|  | <p><b>Installation/Mounting</b></p> <ul style="list-style-type: none"> <li>- Suitable for 15/16" T-Grid Installation</li> </ul> |

**Controls**

- 0-10V Dimming
- Bi-level Occupancy/Daylight Harvesting Sensor [Option]

**Lumen Output**

- 2'x2':
  - 27W (2,700lm)
  - 35W (3,500lm)
  - 40W (4,000lm)
- 2'x4':
  - 35W (3,500lm)
  - 45W (4,500lm)
  - 54W (5,400lm)

**Warranty**

- 5 Year Warranty  
See warranty documentation for more information.



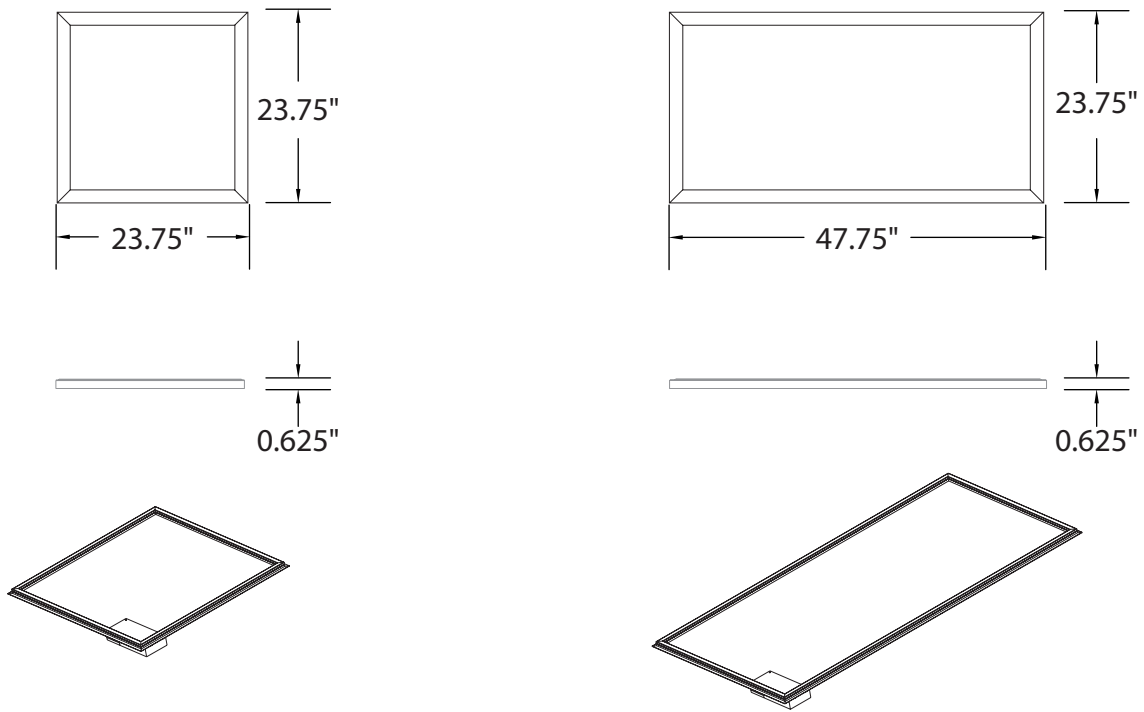
**ORDERING INFORMATION** **EXAMPLE: OFL-22-L-C-U-D**

Series	Size	Wattage	CCT	Input Voltage	Control
OFL	22 - 2'x2'	L - 27W/35W/40W	C - 3500K/4000K/5000K	U - 120-277V	D - 0-10V Dimming
	24 - 2'x4'	L - 35W/45W/54W			

**Accessories**

- T-BR-EM (T-Bar Bracket for Emergency Battery Backup)
- TGS-15W-INT [15W Emergency Inverter]
- OFL-EM [8W Emergency Battery Backup]
- RC-RC-100 (Wireless Configuration Tool)
- M [Bi-level Occupancy/Daylight Harvesting Sensor]

DIMENSIONS



LUMEN OUTPUT

SKU	Size (LxW)	Wattage (W)	Delivered Lumens (lm)	Efficacy (lm/W)	Delivered Lumens (lm)	Efficacy (lm/W)	Delivered Lumens (lm)	Efficacy (lm/W)
OLF-22-L-C-U-D	2'x2'	27/35/40	2700 (27W)	100	3500 (35W)	100	4000 (40W)	100
OLF-24-L-C-U-D	2'x4'	35/45/54	3500 (35W)	100	4500 (45W)	100	5400 (54W)	100

ACCESSORIES



Emergency Battery Backup 8W (Option) [OFL-EM]



Emergency Inverter 15W (Option) [TGS-15W-INT]



Daylight Occupancy/Daylight Harvesting Sensor (Option) [M]



Wireless Configuration Tool (Sold Separately) [RC-RC-100]



T-Bar Emergency Battery Bracket [TR-BR-EM]

**CONTROL PRE-COMMISSIONING**

Default setting are indicated by\*

High-End Trim/ Tuning	Sensitivity Range	Time Delay	Daylight Harvesting	Stand-by Light Level Setting	Stand-by Time Setting
70%	20%	10s	<b>Light Sensor Disabled*</b>	0%	∞
80%	50%	1min	1FC (10lux)	<b>10%*</b>	1min
90%	75%	<b>10min*</b>	3FC (30lux)	30%	30min
<b>100%*</b>	<b>100%*</b>	15min	5FC (50lux)	50%	<b>60min*</b>

**High-End Trim/Tuning:**

Setting that determines the maximum lumen output through high-end trim tuning, can be reduced by up to 30 percent.

**Sensitivity Range:**

Setting that determines the sensitivity range of the motion sensor when the daylight sensor is disabled.

**Time Delay:**

The light can be set to stay ON for any period of time between approx. 10 sec. to a maximum of 60 min. Any movement detected before this time elapse will re-start the timer.

**Daylight Harvesting:**

The chosen light response threshold can be disabled or respond when photocell detects foot candle levels 1-5 FC

**Stand-by Light Level:**

Setting determines how much lumen output is dimmed down to when no motion is detected.

**Stand-by Time:**

Setting determines how long after stand-by light level occurs the light will shut off. Up to 60 minutes.