

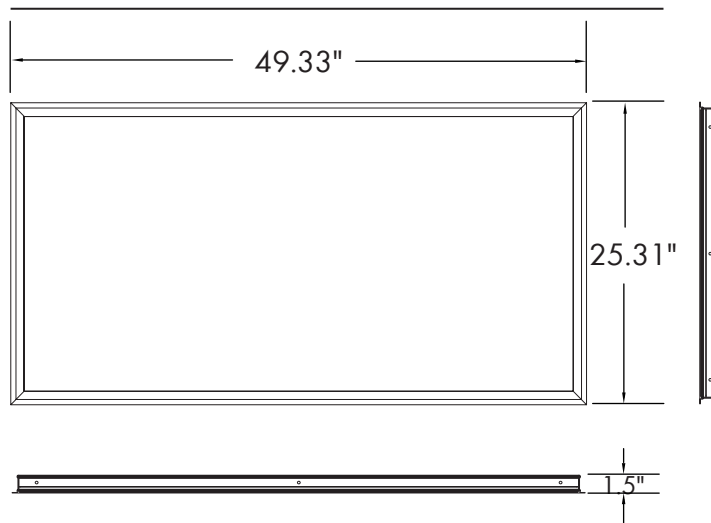
Date:	
Project Name:	
SKU #:	

2' x 4' Flange Mount Kit

Flange Mount Kit



DIMENSIONS



APPLICATIONS

Residential, Commercial, Multi-Family Complex,

FEATURES

Construction

- Extruded Aluminum with Mitered Corners for Square Fit.

Finish

- White
- Formulated for High-Durability and Long Lasting Color.

Technical

- Weight: 8.0 lb

Installation/Mounting

- Flange Mounted:
Fits Between The Drywall
- Rough Cut: 24 5/8" x48 5/8"

ORDERING INFORMATION

8824

FMK

Panel

Size

Type

88

24 - 2'x4'

FMK - Flange Mount Kit