

Date:	
Project Name:	
SKU #:	

**SBR™**  
Area & Site Light



**FINISHES**



**APPLICATIONS**

Commercial Parking Lots, Pedestrian Pathways, Street Lighting, Site and Recreational Sports

**FEATURES**

**Construction**

- Rugged Die-cast Aluminum Housing
- C3 (Medium) - Industrial and urban atmosphere a low sulphur oxide (IV) contamination level.

**Finish**

- Dark Bronze
- Black
- Green

**Electrical & Technical**

- Input Voltage: 100-277V 277-480V
- Input Frequency: 50/60Hz
- Projected Life: L70 > 100,000 hrs
- PF: >0.93
- CRI: >70
- THD: <20%
- Adjustable Lumen Output
- CCT: 5000K
- Operating Temp.: -22°F ~ 122°F
- IP Rating: IP66 Fixture Enclosure
- IK Rating: IK08
- Surge Protection: 20kV [Standard]

**Optical**

- Distribution Type:
  - Type II Short
  - Type II Very Short
  - Type III Short
  - Type III Very Short
  - Type IV Short
  - Type V Short
- NEMA 3x3
- NEMA 6x4

**Installation/Mounting**

- Fixed Direct Pole Arm Mount [Round & Square Pole]
- Slipfitter
- Yoke Mount

**Controls**

- 0-10V Dimming [Standard]
- 7 Pin Receptacle with Shorting Cap [Option]
- 7 Pin Receptacle with 7 Pin Photocell [Option]
- TL7-HVG (110-480V Wireless Lighting Controller Power By SYNAPSE)

**EPA Rating**

- 180W/240W/300W [2.47ft²]
- 450W/500W/600W [3.47ft²]

**Warranty**

- 5 Year Warranty
- See warranty documentation for more information.

**Lumen Output**

- See Page 3

POWERED BY



**ORDERING INFORMATION** **EXAMPLE: SBR-L-L-40-3-U-FM-D-D1-7SC**

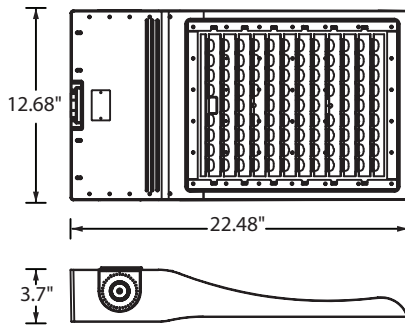
Series	Size	Wattage	CCT	Distribution	Input Voltage	Mount	Finish
SBR	L - Single	L - 180W/240W/300W	50 - 5000K	2S - Type II Short 2V - Type II Very Short 3S - Type III Short 3V - Type III Very Short 4S - Type IV Short 5S - Type V Short 3 - NEMA 3x3 6 - NEMA 6x4	U - 100-277V H - 277-480V	FM (Fixed Arm Pole Mount) SF (Slipfitter) YM (Yoke Mount Bracket)	D - Dark Bronze B - Black G - Green
	XL - Double	L - 450W/500W/600W					

Controls Option
D1-7SC (7 Pin Receptacle W/Shorting Cap) D1-7PC (7 Pin Receptacle W/On/Off Photocell) TL7-HVG (110-480V Wireless Lighting Controller Power By SYNAPSE)

Accessories
SP-U-20kV (20kV/10kA Surge Protection [120-277V]) SP-H-20kV (20kV/10kA Surge Protection [277-480V]) SBR-BLC (Back Light Control Louvre)

TECHNICAL DETAIL

**SBR L [Single]**



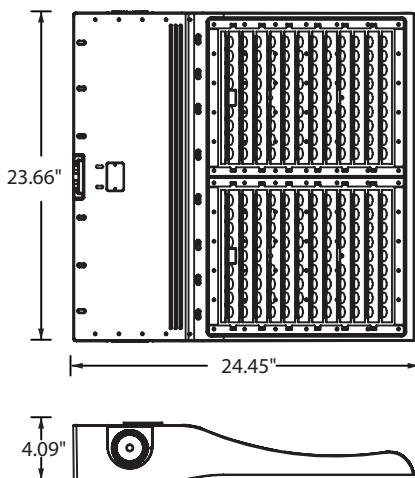
Wattage	5000K	
	Deliver Lumens	Efficacy
180W	27,000lm	150lm/W
240W	36,000lm	150lm/W
300W	45,000lm	150lm/W

**EPA: 0.37ft<sup>2</sup>**

Net weight: 17.2lbs.(150W/200W) & 18.52lbs. (300W)

Product Dimension: 22.48"x12.68"x3.7"

**SBR XL [Double]**



Wattage	5000K	
	Deliver Lumens	Efficacy
450W	67,500lm	150lm/W
500W	75,000lm	150lm/W
600W	90,000lm	150lm/W

**EPA: 0.77ft<sup>2</sup>**

Net weight: 36.38 lbs.(400W/500W) & 39.68lbs. (600W)

Product Dimension: 23.66"x24.45"x4.09"

ACCESSORIES



Fixed Pole Arm Mount  
[Round & Square Pole]  
[SBR-FM]



Slipfitter  
[SBR-SF]



Yoke Mount  
[SBR-L-YM]  
[SBR-XL-YM]



Back Light Control  
[Not Available for  
NEMA 3x3 and  
NEMA 6x4]  
[SBR-BLC]



Photocell  
[D1]



7 Pin Wireless Lighting Controller  
Powered By SYNAPSE  
[TL7-HVG]

WIRELESS CONTROL SYSTEM

POWERED BY



- Utility grade power monitoring.
- WiFi Mesh Receiver Nodes.
- Communication range is up to 1 mile line of sight.
- Control dimming and On/Off.
- Secure, over-the-air software upgrades.



- Manual/Remote/Web access to Nodes.
- Control up to 1000 Nodes.
- Weather protected.
- Optional, pre-configured 5 button switch to allow for control of all lighting (Central Base Station only).



Central Control Base Station  
(Optional)

or



SimplySnap Controller



WiFi or LAN Network with browser based control interface



Optional Cloud Control with Verizon 4G LTG