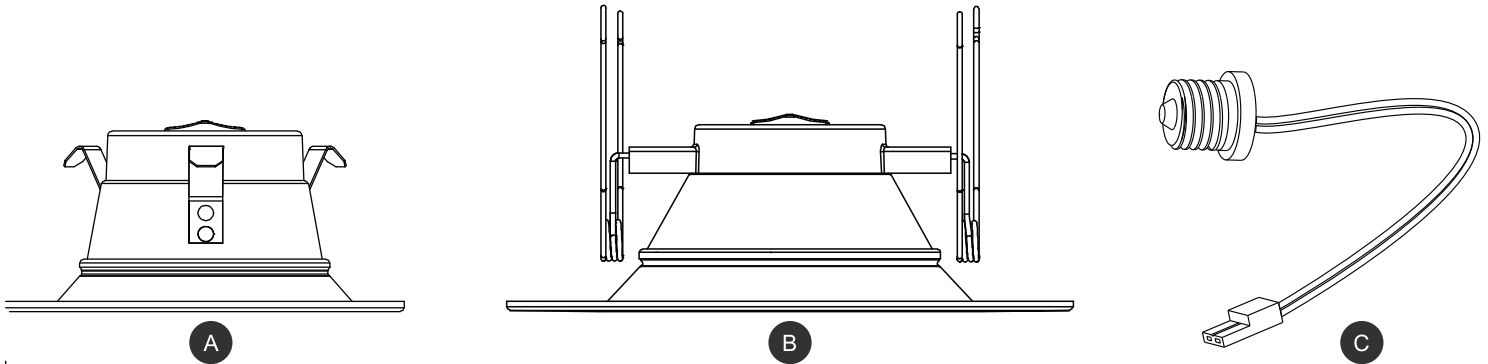


**WARNING**

**PLEASE READ ALL INSTRUCTIONS BEFORE ATTEMPTING INSTALLATION**

- To prevent personal injury or product damage only licensed electricians should install.
- To avoid electric shock or component damage disconnect power before attempting installation or servicing.
- This product must be installed in accordance with the national electric code (NEC) and all applicable federal, state and local electric codes and safety standards.
- Disconnect product and allow cooling prior to servicing.
- Any alteration or modification of this product is expressly forbidden as it may cause serious personal injury, death, property damage and/or product malfunction.
- To prevent product malfunction and/or electrical shock this product must be properly grounded.
- This product must be installed in accordance with the applicable installation code by a Person familiar with the construction and operation of the product and the hazards involved.
- The device is not intended for use with emergency exit.
- Suitable for damp location



## Packaging Contents

PART	Description	QUANTITY	PART	Description	QUANTITY
A	4 inch Retrofit Round Downlight (Baffled/Smooth Trim)	1	B	5/6 inch Retrofit Round Downlight (Baffled/Smooth Trim)	1
C	E26 Adapter	1	C	E26 Adapter	1

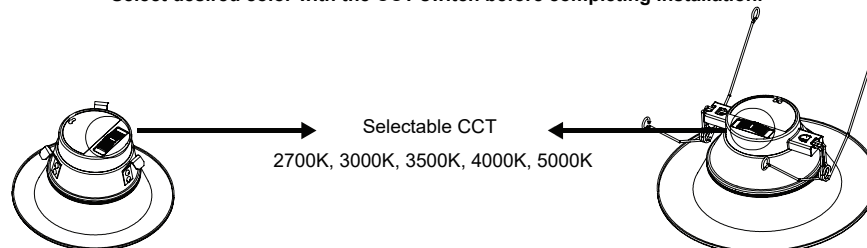
## Dimmer Compatibility List

This unit may operate on other dimmers, have not been tested. Input 120V, 60Hz

<b>LEVITON</b>	6672, 6674, PD-6WCL, DSL06, MACL-153M/MA-R
<b>LUTRON</b>	TG-6000PR-WH, S-600PR-WH, CTCL-153PDH-WH, TGCL-153PH-LA, SLV-600P-AL, DV-600PR-WH, SCL-153ph-WH, GT-600P, DVCL-153P, RNL06, MSCL-OP153M, IP06

## CCT Adjustment

Select desired color with the CCT switch before completing installation.



### Installation

**MAKE SURE THE TO TURN OFF THE POWER AT THE BREAKER OR FUSE BOX**

**Step 1:** Screw the included E26 socket adapter in the existing socket, see Fig1.

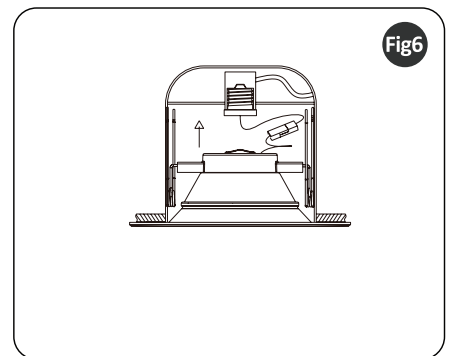
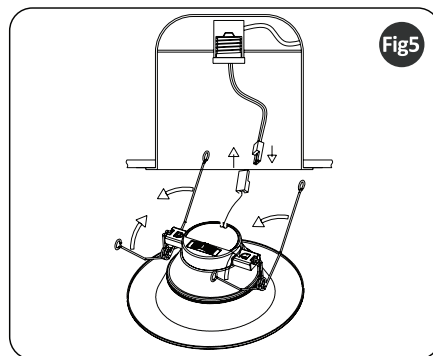
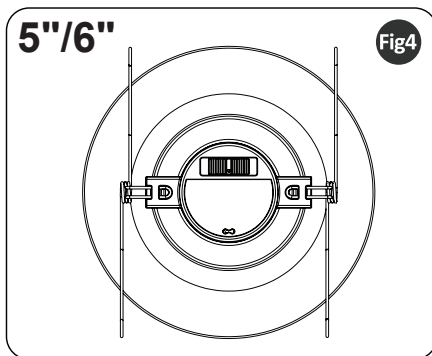
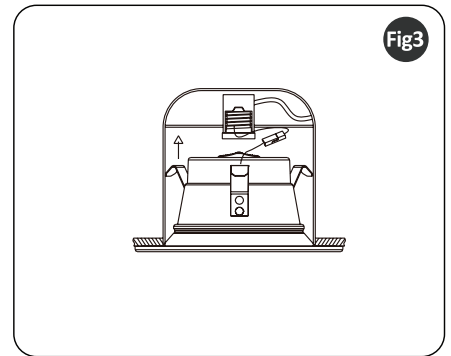
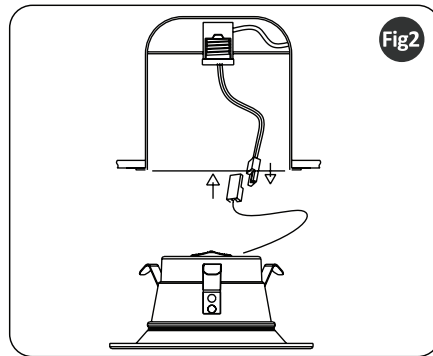
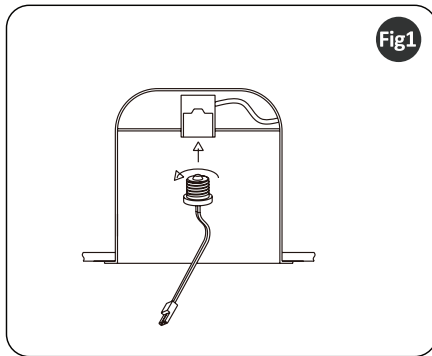
**Step 2:** Connect the terminals from the E26 socket adapter to the fixture, see Fig.2, Fig5.

**For 4" Retrofit:**

**Step 3:** Push fixture up into the can, ensuring it is flush to the ceiling, see Fig3.

**For 5/6" Retrofit:**

**Step 4:** Press spring clips together, push fixture up into the can and release once in, continue pushing until flush with ceiling, see Fig6.



### Removing Luminaire

1. Use fingertips, pull down firmly on the trim ring until the fixture stops.
2. Squeeze the torsion springs together to remove the fixture.
3. Disconnect the fixture from the E26 socket adapter.
4. Unscrew the E26 socket adapter from the recessed can.