

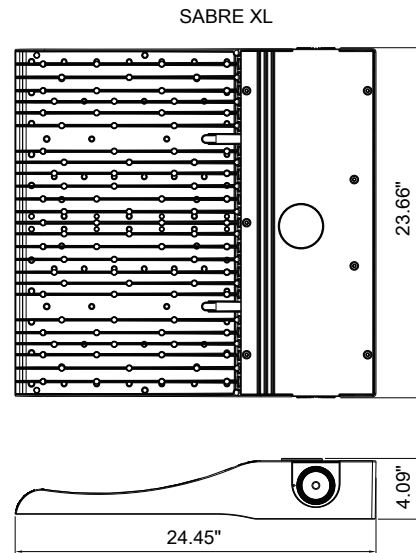
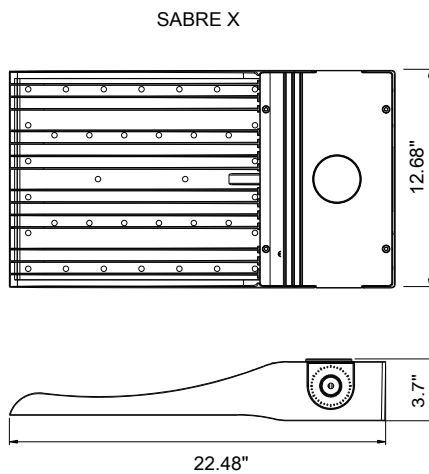
**WARNING**

**PLEASE READ ALL INSTRUCTIONS BEFORE ATTEMPTING INSTALLATION**

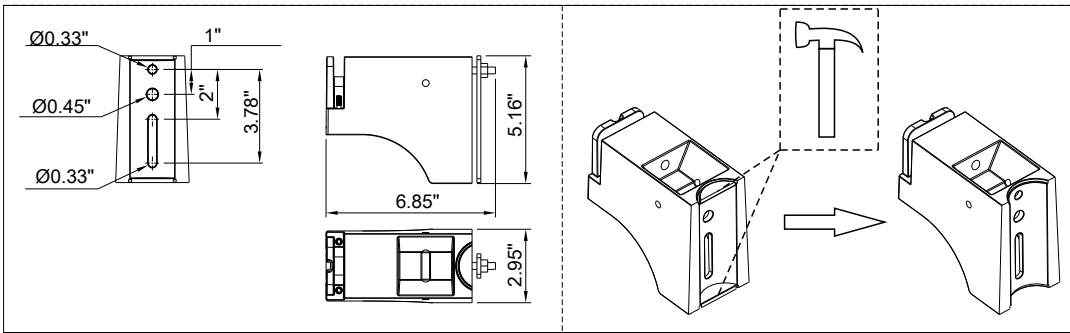
- To prevent personal injury or product damage only licensed electricians should install.
- To avoid electric shock or component damage, disconnect power before attempting installation or servicing.
- This product must be installed in accordance with the national electric code (NEC) and all applicable federal, state and local electric codes and safety standards.
- Disconnect product and allow cooling prior to servicing.
- Any alteration or modification of this product is expressly forbidden as it may cause serious personal injury, death, property damage and/or product malfunction.
- This product must be installed in accordance with the applicable installation code by a Person familiar with the construction and operation of the product and the hazards involved.
- Suggested mounting heights of lights no higher than 49'

Specifications	180W~300W	450W~600W
Input Voltage	120-277VAC/277-480VAC	
Power Frequency	50/60Hz	
Dimension (LxWxH)	22.48"x12.68"x3.7"	24.45"x23.66"x4.09"
Weight	18.52±0.66 lbs	39.68±0.66 lbs
Working Temperature	-22°F to +122°F	
Storing Temperature	-40°F to +158°F	

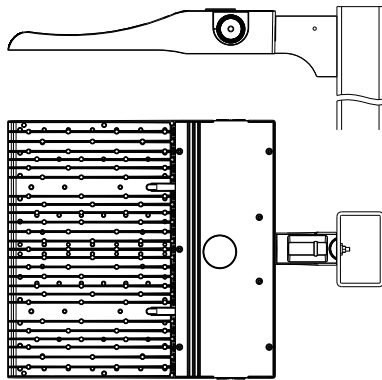
**Dimensions**



## Pole Arm Mount Installation

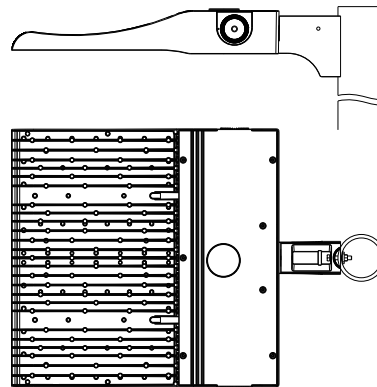


### Square Pole

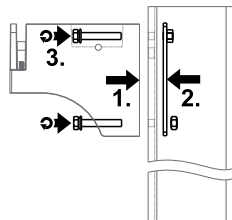


### Round Pole

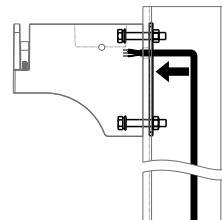
Pole Diameter > 2.36



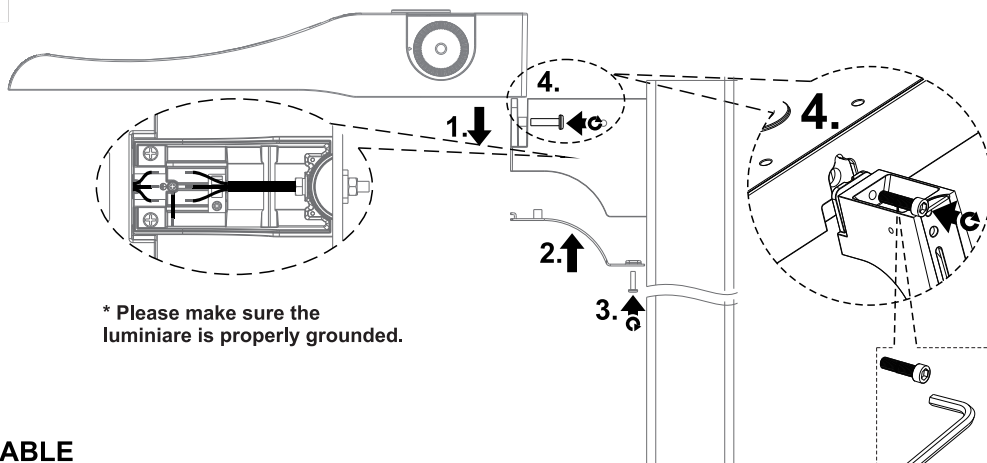
1.



2.

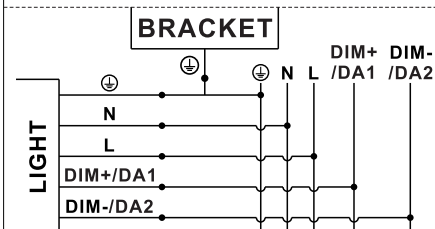


3.

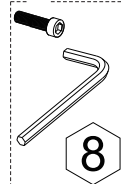
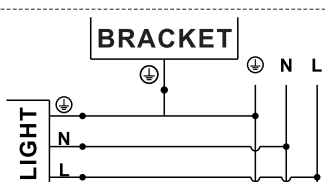


\* Please make sure the luminaire is properly grounded.

### DIMMABLE



### NON-DIMMABLE



## Slipfitter Installation

**1.** Mount the device to the ceiling bracket using M8x25 screws. The bracket is secured to the ceiling with M10x50 screws. The device is then secured to the ceiling grid with M4x8 screws.

**2.** Tighten the M4x8 screws on the device to 1.2Nm. Tighten the M16x40 screws on the ceiling grid to 17Nm.

**3.** Connect the device to the ceiling bracket using the provided screws.

**DIMMABLE**

**BRACKET**

**LIGHT**

⊕ N L DIM+ DIM- /DA1 /DA2

**NON-DIMMABLE**

**BRACKET**

**LIGHT**

⊕ N L

# Yoke Installation

**1.**

---

**2.**

**3.**

---

**NON-DIMMABLE**

**DIMMABLE**

## Wiring Diagram

