



lighting facts
A Program of the U.S. DOE



RoHS
Compliant



5 YEAR
WARRANTY



Not all products are qualified on the DLC QPL. To view our DLC qualified products, please consult the DLC Qualified Products List at www.designlights.org/qpl.

TRUEFIT™ LED TUBE

www.trulygreensolutions.com





The Most Versatile LED Tube



3 LENGTHS
AVAILABLE IN
15W AND 18W



EXPECTED LIFE
OVER 50,000 HRS



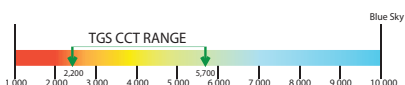
IES FILES @
www.trulygreensolutions.com



SUITABLE FOR
DAMP LOCATIONS



GLARE FREE
PC LENS



SELECTION OF
COLOR RANGES

- Type A : Ballast Compatible
- Type B : Bypass Ballast
- Type A/B : Ballast Compatible or Bypass Ballast
- Type C : External Power



EASY INSTALLATION



Application



Parking Garage



Mall



Storage Facility



Not all products are qualified on the DLC QPL. To view our DLC qualified products, please consult the DLC Qualified Products List at www.designlights.org/qpl.





TRUEFIT™ LED TUBE (TYPE A/B)

4' 18W SPECIFICATIONS



	Bare Lamp	Low Ballast Factor (0.78)	Normal Ballast Factor (0.88)	High Ballast Factor (1.10)
Wattage	18W	16.8	20.7	23.5
Lumen	2160	1700	2200	2450

Replaces 4' T8 Fluorescent Tubes

Optical Details

System Efficacy	120 LpW (Without Ballast)
Lumen Output	2,160 lm
CCT	3000K, 3500K, 4000K, 5000K
Beam Angle	180°
CRI	>80
System Efficiency	N/A

Electrical Details

Input Voltage	100-277V AC (347V Available)
Power Frequency	50-60 Hz
Output Voltage	50-80V
Output Current	230mA
Power Efficiency	N/A
Power Factor	>0.99
Total Harmonic Distortion	<20%
Dimmable	No

Other Details

System Power Usage	18W
LED Power Usage	N/A
Fixture Material	Aluminum Base and PC Housing
Finish	N/A
Ingress Protection	Suitable For Damp Locations
Luminaire Net Weight	0.794 lbs (360g)
Lifespan	50,000+ Hours
Storage Temperature	-4°~122°F
Operating Temperature	-4°~104°F
Operating Humidity	N/A
Product Dimension	47.76x1.02 in (pin to pin)
Replaces	T8 Fluorescent

Application

• Offices	• Hospitals
• Industrial Shops	• Hotels
• Schools	• High / Low Bay
• Commercial Buildings	• Troffers / Strips

Pin Type

• G13 Pin (Bi-pin)

Highlights

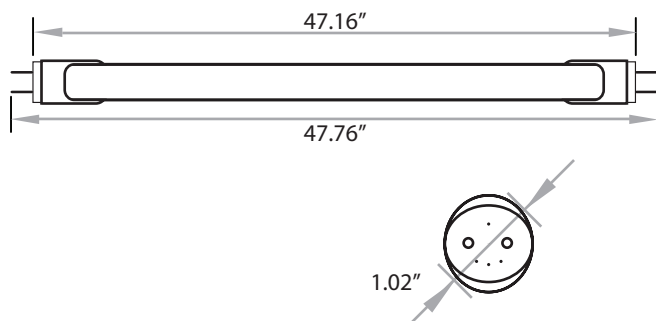
The TGS TrueFit™ LED T8 lamp offers an easy and safe energy-saving retrofit solution for fluorescent tube lamps, with over 120 lumens per watt. The TrueFit™ lamp provides universal operating options: plug and play with instant-start electronic ballasts, or bypass the existing ballast to run directly off line voltage.

The TrueFit™ LED T8 lamp provides instant energy savings and superior quality uniform, flicker-free lighting in a complete package. It uses about half the energy as T8 fluorescent lamps, with up to 70% reduction of overall operating costs. The UL, cUL, and RoHS certified lamps are available in 2', 3' and 4' lengths, in 2 different wattages (15W and 18W), with the form, fit, and function of traditional T8 fluorescent lamps. The TrueFit™ lamp is constructed with a polycarbonate optical diffuser, which provides a wide beam angle of 180° for comprehensive spatial illumination.

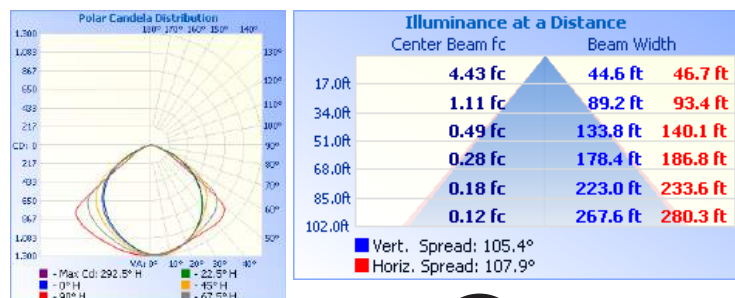
Featuring a unique advanced heat sink technology that ensures maximum thermal management, the TrueFit™ is backed by a 5 year/50,000 hour warranty for a long life of maintenance-free service. Available CCT's are 3000K, 3500K, 4000K and 5000K.

Product Dimensions

Length: 47.76 in (1213mm) [Pin to Pin] Weight: 0.794 lbs (360g)
 Length: 47.17 in (1198mm) [Cap to Cap] Diameter: 1.02in (26mm)



Photometrics



180°



Not all products are qualified on the DLC QPL. To view our DLC qualified products, please consult the DLC Qualified Products List at www.designlights.org/qpl.



