



Not all products are qualified on the DLC QPL. To view our DLC qualified products, please consult the DLC Qualified Products List at [www.designlights.org/qpl](http://www.designlights.org/qpl).

# TRUEFIT™ LED TUBE

[www.trulygreensolutions.com](http://www.trulygreensolutions.com)

**tgs**  
TRULY GREEN SOLUTIONS



3 LENGTHS  
AVAILABLE IN  
12W/15W/18W



EXPECTED LIFE  
OVER 50,000 HRS



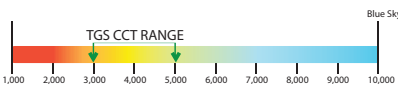
IES FILES @  
[www.trulygreensolutions.com](http://www.trulygreensolutions.com)



SUITABLE FOR  
DAMP LOCATIONS



GLARE FREE  
PC LENS



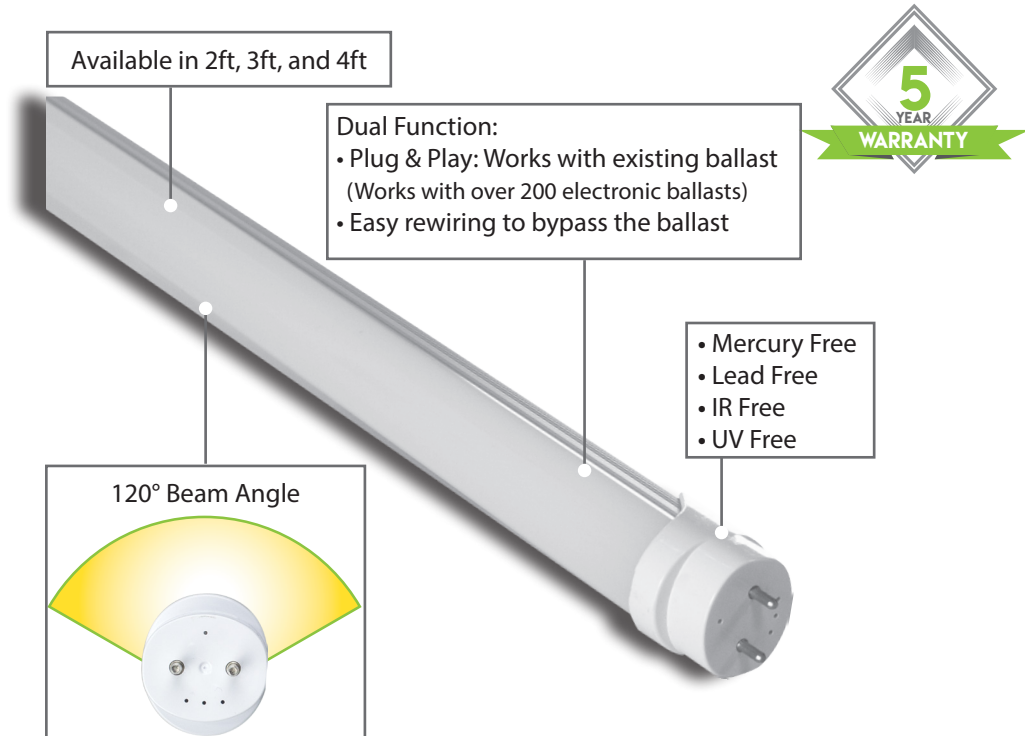
SELECTION OF  
COLOR RANGES

Type A : Ballast Compatible  
Type B : Bypass Ballast  
**Type A/B : Ballast Compatible  
or Bypass Ballast**  
Type C : External Power



EASY INSTALLATION

# The Most Versatile LED Tube



# Applications



Parking Garage



Mall



Storage Facility



Not all products are qualified on the DLC QPL. To view our DLC qualified products, please consult the DLC Qualified Products List at [www.design-lights.org/apl](http://www.design-lights.org/apl).







	Bare Lamp	Low Ballast Factor (0.78)	Normal Ballast Factor (0.88)	High Ballast Factor (1.10)
Wattage	18W	19.5	21.5	22.5
Lumen	2520	2430	2680	2810

Replaces 4' T8 Fluorescent Tubes

**Highlights**

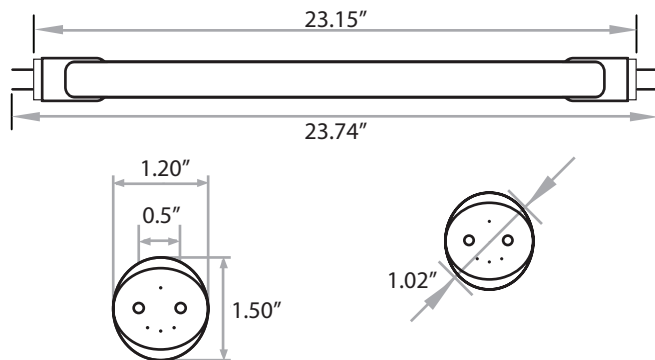
The TGS TrueFit™ LED T8 lamp offers an easy and safe energy-saving retrofit solution for fluorescent tube lamps, with over 130 lumens per watt. The TrueFit™ lamp provides universal operating options: plug and play with instant-start electronic ballasts, or bypass the existing ballast to run directly off line voltage.

The Truefit™ LED T8 lamp provides instant energy savings and superior quality uniform, flicker-free lighting in a complete package. It uses about half the energy as T8 fluorescent lamps, with up to 70% reduction of overall operating costs. The UL, cUL, and RoHS certified lamps are available in 2', 3' and 4' lengths, in 3 different wattages (12W, 15W and 18W), with the form, fit, and function of traditional T8 fluorescent lamps. The TrueFit™ lamp is constructed with a polycarbonate optical diffuser, which provides a wide beam angle of 120° for comprehensive spatial illumination.

Featuring a unique advanced heat sink technology that ensures maximum thermal management, the Truefit™ is backed by a 5 year/50,000 hour warranty for a long life of maintenance-free service. Available CCT's are 3000K, 3500K, 4000K and 5000K.

**Product Dimensions**

Length: 47.76 in (1213mm) [Pin to Pin]      Weight: 0.794 lbs (360g)  
 Length: 47.17 in (1198mm) [Cap to Cap]      Diameter: 1.02 in (26mm)



**Optical Details**

System Efficacy	130LpW
Lumen Output	2,520 lm
CCT	3000K, 3500K, 4000K, 5000K
Beam Angle	120°
CRI	>80
System Efficiency	N/A

**Electrical Details**

Input Voltage	100-277V AC (347V Available)
Power Frequency	50-60 Hz
Output Voltage	N/A
Output Current	N/A
Power Efficiency	N/A
Power Factor	>0.99
Total Harmonic Distortion	<20%
Dimmable	No

**Other Details**

System Power Usage	18W
LED Power Usage	N/A
Fixture Material	Aluminum Base and PC Housing
Finish	N/A
Ingress Protection	Suitable For Damp Locations
Luminaire Net Weight	0.794 lbs (360g)
Lifespan	50,000+ Hours
Storage Temperature	-4°~122°F
Operating Temperature	-22~104°F
Operating Humidity	N/A
Product Dimension	47.76x1.02 in (pin to pin)
Replaces	T8 Fluorescent

**Application**

• Offices	• Hospitals
• Industrial Shops	• Hotels
• Schools	• High / Low Bay
• Commercial Buildings	• Troffers / Strips

**Base Options**

• G13 Pin (Bi-pin)
--------------------



Not all products are qualified on the DLC QPL. To view our DLC qualified products, please consult the DLC Qualified Products List at [www.design-lights.org/qpl](http://www.design-lights.org/qpl).



# Ballast Compatibility List

**GE:**

1. **GE-132MAX-L/ULTRA** INSTANT START BALLAST
2. **GE-232MAX-L/ULTRA** INSTANT START BALLAST
3. **GE-332MAX-L/ULTRA** INSTANT START BALLAST
4. **GE-432MAX-L/ULTRA** INSTANT START BALLAST
5. **GE-132MAX-N/ULTRA** INSTANT START BALLAST
6. **GE-232MAX-N/ULTRA** INSTANT START BALLAST
7. **GE-332MAX-N/ULTRA** INSTANT START BALLAST
8. **GE-432MAX-N/ULTRA** INSTANT START BALLAST
9. **GE-132MAX-H/ULTRA** INSTANT START BALLAST
10. **GE-232MAX-H/ULTRA** INSTANT START BALLAST
11. **GE-332MAX-H/ULTRA** INSTANT START BALLAST
12. **GE-432MAX-H/ULTRA** INSTANT START BALLAST
13. **GE-132MAX-347-L** INSTANT START BALLAST
14. **GE-232MAX-347-L** INSTANT START BALLAST
15. **GE-332MAX-347-L** INSTANT START BALLAST
16. **GE-432MAX-347-L** INSTANT START BALLAST
17. **GE-132MAX-347-N** INSTANT START BALLAST
18. **GE-232MAX-347-N** INSTANT START BALLAST
19. **GE-332MAX-347-N** INSTANT START BALLAST
20. **GE-432MAX-347-N** INSTANT START BALLAST
21. **GE-132MAX-347-H** INSTANT START BALLAST
22. **GE-232MAX-347-H** INSTANT START BALLAST
23. **GE-332MAX-347-H** INSTANT START BALLAST
24. **GE-432MAX-347-H** INSTANT START BALLAST
25. **GE-132MAX-H-42T** INSTANT START BALLAST
26. **GE-232MAX-H-42T** INSTANT START BALLAST
27. **GE-332MAX-H-42T** INSTANT START BALLAST
28. **GE-432MAX-H-42T** INSTANT START BALLAST
29. **GE-132MAX-G-N-DIYB** INSTANT START BALLAST
30. **GE-232MAX-G-N-DIYB** INSTANT START BALLAST
31. **GE-332MAX-G-N-DIYB** INSTANT START BALLAST
32. **GE-432MAX-G-N-DIYB** INSTANT START BALLAST
33. **GE-132-120RESDIYB** INSTANT START BALLAST
34. **GE-232-120RESDIYB** INSTANT START BALLAST
35. **GE-332-120RESDIYB** INSTANT START BALLAST
36. **GE-432-120RESDIYB** INSTANT START BALLAST
37. **GE240RES120-DIYB** RAPID START BALLAST
38. **GE240RSMVN-DIYB** RAPID START BALLAST
39. **GE-132-120RES-DIY** INSTANT START BALLAST
40. **GE-232-120RES-DIY** INSTANT START BALLAST
41. **GE-332-120RES-DIY** INSTANT START BALLAST
42. **GE-432-120RES-DIY** INSTANT START BALLAST
43. **GE240RS120-DIY** RAPID START BALLAST
44. **GEM220TS120/2-DIY** RAPID START BALLAST
45. **GE-132MV-N-DIY** INSTANT START BALLAST
46. **GE-232MV-N-DIY** INSTANT START BALLAST
47. **GE-332MV-N-DIY** INSTANT START BALLAST
48. **GE-432MV-N-DIY** INSTANT START BALLAST
49. **GE-259MV-N-DIY** INSTANT START BALLAST
50. **GE-232-MVPS-N** RAPID START BALLAST
51. **GE-132-MV-N** INSTANT START BALLAST
52. **GE-232-MV-N** INSTANT START BALLAST
53. **GE-332-MV-N** INSTANT START BALLAST
54. **GE-432-MV-N** INSTANT START BALLAST
55. **GEM1FC16T9RS120/2** RAPID START BALLAST
56. **MAGNETEK-200-H2** PREHEAT START BALLAST
57. **GE-232MAXP-L/ULTRA** INSTANT START BALLAST
58. **GEM120TC120/2-DIY** RAPID START BALLAST
59. **GE-240-RS-MV-N-DIY** RAPID START BALLAST
60. **GE260IS-MV-N** INSTANT START BALLAST
61. **446-LR-TC-P** MAGNETIC RAPID START BALLAST

**PHILIPS:**

62. **ICN-2528** PROGRAM START BALLAST

63. **ICN-2528-N** PROGRAM START BALLAST
64. **ICN-2M32-MC** INSTANT START BALLAST
65. **ICN-1P32-N** INSTANT START BALLAST
66. **ICN-2P32-N** INSTANT START BALLAST
67. **ICN-3P32-N** INSTANT START BALLAST
68. **ICN-4P32-N** INSTANT START BALLAST
69. **ICN-1540-N** RAPID START BALLAST
70. **ICN-2540-N** RAPID START BALLAST
71. **ICN-3540-N** RAPID START BALLAST
72. **ICN-4540-N** RAPID START BALLAST
73. **REB-1P32-SC** INSTANT START BALLAST
74. **REB-2P32-SC** INSTANT START BALLAST
75. **REB-3P32-SC** INSTANT START BALLAST
76. **REB-4P32-SC** INSTANT START BALLAST
77. **RELB-1540-N** RAPID START BALLAST
78. **RELB-2540-N** RAPID START BALLAST
79. **RELB-3540-N** RAPID START BALLAST
80. **RELB-4540-N** RAPID START BALLAST
81. **IOP-1PSP32-SC** PROGRAM START BALLAST
82. **IOP-2PSP32-SC** PROGRAM START BALLAST
83. **IOP-3PSP32-SC** PROGRAM START BALLAST
84. **IOP-4PSP32-SC** PROGRAM START BALLAST
85. **IOP-1PSP32-HL-SC** PROGRAM START BALLAST
86. **IOP-2PSP32-HL-SC** PROGRAM START BALLAST
87. **IOP-3PSP32-HL-SC** PROGRAM START BALLAST
88. **IOP-4PSP32-HL-SC** PROGRAM START BALLAST
89. **IOP-1PSP32-LW-N** PROGRAM START BALLAST
90. **IOP-2PSP32-LW-N** PROGRAM START BALLAST
91. **IOP-3PSP32-LW-N** PROGRAM START BALLAST
92. **IOP-4PSP32-LW-N** PROGRAM START BALLAST
93. **IOP-2P32-N** INSTANT START BALLAST
94. **IOPA-1P32-N** INSTANT START BALLAST
95. **IOPA-2P32-N** INSTANT START BALLAST
96. **IOPA-3P32-N** INSTANT START BALLAST
97. **IOPA-4P32-N** INSTANT START BALLAST
98. **IOPA-1P32-LM-N** INSTANT START BALLAST
99. **IOPA-2P32-LM-N** INSTANT START BALLAST
100. **IOPA-3P32-LM-N** INSTANT START BALLAST
101. **IOPA-4P32-LM-N** INSTANT START BALLAST
102. **GOPA-1P32-SC** INSTANT START BALLAST
103. **GOPA-2P32-SC** INSTANT START BALLAST
104. **GOPA-3P32-SC** INSTANT START BALLAST
105. **GOPA-4P32-SC** INSTANT START BALLAST
106. **RLQ5-122-TP-W** RAPID START BALLAST
107. **RLQ-120-TP** RAPID START BALLAST

**SYLVANIA:**

108. **QHE1x32T8/UNV ISL-SC** INSTANT START BALLAST
109. **QHE2x32T8/UNV ISL-SC** INSTANT START BALLAST
110. **QHE3x32T8/UNV ISL-SC** INSTANT START BALLAST
111. **QHE4x32T8/UNV ISL-SC** INSTANT START BALLAST
112. **QHE1x32T8/UNV ISN-SC** INSTANT START BALLAST
113. **QHE2x32T8/UNV ISN-SC** INSTANT START BALLAST
114. **QHE3x32T8/UNV ISN-SC** INSTANT START BALLAST
115. **QHE4x32T8/UNV ISN-SC** INSTANT START BALLAST
116. **QHE1x32T8/UNV ISH-SC** INSTANT START BALLAST

117. **QHE2x32T8/UNV ISH-SC** INSTANT START BALLAST
118. **QHE3x32T8/UNV ISH-SC** INSTANT START BALLAST
119. **QHE4x32T8/UNV ISH-SC** INSTANT START BALLAST
120. **QHE1x32T8/UNV ISL-SC-1** INSTANT START BALLAST
121. **QHE2x32T8/UNV ISL-SC-1** INSTANT START BALLAST
122. **QHE3x32T8/UNV ISL-SC-1** INSTANT START BALLAST
123. **QHE4x32T8/UNV ISL-SC-1** INSTANT START BALLAST
124. **QHE1x32T8/UNV ISN-SC-1** INSTANT START BALLAST
125. **QHE2x32T8/UNV ISN-SC-1** INSTANT START BALLAST
126. **QHE3x32T8/UNV ISN-SC-1** INSTANT START BALLAST
127. **QHE4x32T8/UNV ISN-SC-1** INSTANT START BALLAST
128. **QHE1x32T8/UNV ISH-SC-1** INSTANT START BALLAST
129. **QHE2x32T8/UNV ISH-SC-1** INSTANT START BALLAST
130. **QHE3x32T8/UNV ISH-SC-1** INSTANT START BALLAST
131. **QHE4x32T8/UNV ISH-SC-1** INSTANT START BALLAST
132. **QTP1x32T8/UNV PSN-SC** PROGRAM START BALLAST
133. **QTP2x32T8/UNV PSN-SC** PROGRAM START BALLAST
134. **QTP3x32T8/UNV PSN-SC** PROGRAM START BALLAST
135. **QTP4x32T8/UNV PSN-SC** PROGRAM START BALLAST
136. **QHE1x32T8/UNV PSN-MC** PROGRAM START BALLAST
137. **QHE2x32T8/UNV PSN-MC** PROGRAM RAPID START BALLAST
138. **QHE3x32T8/UNV PSN-MC** PROGRAM RAPID START BALLAST
139. **QHE4x32T8/UNV PSN-MC** PROGRAM RAPID START BALLAST
140. **QHE1x32T8/347 ISL-SC** INSTANT START BALLAST
141. **QHE2x32T8/347 ISL-SC** INSTANT START BALLAST
142. **QHE3x32T8/347 ISL-SC** INSTANT START BALLAST
143. **QHE4x32T8/347 ISL-SC** INSTANT START BALLAST
144. **QHE1x32T8/347 ISN-SC** INSTANT START BALLAST
145. **QHE2x32T8/347 ISN-SC** INSTANT START BALLAST
146. **QHE3x32T8/347 ISN-SC** INSTANT START BALLAST
147. **QHE4x32T8/347 ISN-SC** INSTANT START BALLAST
148. **QHE1x32T8/347 ISH-SC** INSTANT START BALLAST
149. **QHE2x32T8/347 ISH-SC** INSTANT START BALLAST
150. **QHE3x32T8/347 ISH-SC** INSTANT START BALLAST
151. **QHE4x32T8/347 ISH-SC** INSTANT START BALLAST
152. **QTP1x32T8/UNV ISL-SC** INSTANT START BALLAST
153. **QTP2x32T8/UNV ISL-SC** INSTANT START BALLAST
154. **QTP3x32T8/UNV ISL-SC** INSTANT START BALLAST
155. **QTP4x32T8/UNV ISL-SC** INSTANT START BALLAST
156. **QTP1x32T8/UNV ISN-SC** INSTANT START BALLAST
157. **QTP2x32T8/UNV ISN-SC** INSTANT START BALLAST
158. **QTP3x32T8/UNV ISN-SC** INSTANT START BALLAST
159. **QTP4x32T8/UNV ISN-SC** INSTANT START BALLAST
160. **QTP1x32T8/UNV ISH-SC** INSTANT START BALLAST
161. **QTP2x32T8/UNV ISH-SC** INSTANT START BALLAST
162. **QTP3x32T8/UNV ISH-SC** INSTANT START BALLAST
163. **QTP4x32T8/UNV ISH-SC** INSTANT START BALLAST
164. **QHE1x59T8/UNV ISL-SC** INSTANT START BALLAST
165. **QHE2x59T8/UNV ISL-SC** INSTANT START BALLAST
166. **QHE3x59T8/UNV ISL-SC** INSTANT START BALLAST
167. **QHE4x59T8/UNV ISL-SC** INSTANT START BALLAST
168. **QHE1x59T8/UNV ISN-SC** INSTANT START BALLAST
169. **QHE2x59T8/UNV ISN-SC** INSTANT START BALLAST
170. **QHE3x59T8/UNV ISN-SC** INSTANT START BALLAST
171. **QHE4x59T8/UNV ISN-SC** INSTANT START BALLAST
172. **QHE1x59T8/UNV ISH-SC** INSTANT START BALLAST
173. **QHE2x59T8/UNV ISH-SC** INSTANT START BALLAST
174. **QHE3x59T8/UNV ISH-SC** INSTANT START BALLAST
175. **QHE4x59T8/UNV ISH-SC** INSTANT START BALLAST

**SUNPARK:**

176. **U-1/32PSE** RAPID START BALLAST
177. **U-2/32PSE** RAPID START BALLAST

178. **U-3/32PSE** RAPID START BALLAST
179. **U-1/32ISE** INSTANT START BALLAST
180. **U-2/32ISE** INSTANT START BALLAST
181. **U-3/32ISE** INSTANT START BALLAST
182. **U-1/32ISE-HBF** INSTANT START BALLAST
183. **U-2/32ISE-HBF** INSTANT START BALLAST
184. **U-1/32ISE-LBF** INSTANT START BALLAST
185. **U-2/32ISE-LBF** INSTANT START BALLAST
186. **5L15T** RAPID START BALLAST
187. **U-132P53-HBF** PROGRAM START BALLAST
188. **U-232P53** PROGRAM START BALLAST

**ROBERTSON:**

189. **ISU232T8120** INSTANT START BALLAST
190. **RN320P RAPID** START BALLAST
191. **SS2P** PREHEAT SELF START BALLAST
192. **HPS1P** PREHEAT START BALLAST
193. **L15A** SIMPLE REACTANCE BALLAST
194. **SP258** SIMPLE REACTANCE BALLAST
195. **O1527P** SIMPLE REACTANCE BALLAST
196. **PSA124T5MV** PROGRAM START BALLAST

**STERIL-AIRE:**

197. **10000175** RAPID START BALLAST

**TRIAD:**

198. **B232IUNVEL-A** INSTANT START BALLAST
199. **B232IUNVHP-B** INSTANT START BALLAST
200. **B232IUNVHP-N** INSTANT START BALLAST
201. **B234SR120M-A** RAPID START BALLAST

**HI:**

202. **EPH2/32IS/MV/MC/HE** INSTANT START BALLAST
203. **E2/40RS-120MC** RAPID START BALLAST

**KEYSTONE:**

204. **KTEB-2C72-1-TP** RAPID START BALLAST
205. **KTEB-220-1-TP-EMI /C** RAPID START BALLAST
206. **240TPES** RAPID START BALLAST

**ESPEN:**

207. **VE232MVHIPLE** INSTANT START BALLAST
208. **VE259120HIP** INSTANT START BALLAST

**PROLUME:**

209. **EP223IS/L/MV/SL** INSTANT START BALLAST

**RADIONIC:**

210. **E232H12** INSTANT START BALLAST

**WORKHORSE:**

211. **WH3-120-L** INSTANT START BALLAST
212. **WHCG2-120-T8** INSTANT START BALLAST

**SUPERIOR LIFE:**

213. **70201** INSTANT START BALLAST

**PRO STANDARD:**

214. **G122540-TP** RAPID START BALLAST



Not all products are qualified on the DLC QPL. To view our DLC qualified products, please consult the DLC Qualified Products List at [www.design-lights.org/qpl](http://www.design-lights.org/qpl).



# Ordering Information

**EXAMPLE NUMBER: 834115-40-B-F**

83	Length	Wattage	CCT	Company Code	Lens Cover	Input Power
TrueFit™ LED Tube	21 - 24"	12 - 12W	50 - 5000K	B	F - Frosted	100-277V (Standard)
	31 - 36"	15 - 15W	40 - 4000K			347V - 347V (Option)
	41 - 48"	18 - 18W	35 - 3500K 30 - 3000K			

**\*Note:**  
- 15W Available in 2', 3', and 4'  
- 12W and 18W Available in 4'

**Emergency Battery Backup Accessory Options**

**EXAMPLE NUMBER: 90018-H**

900	Wattage	High Voltage
High Voltage LED Emergency Battery Backup	18 - 18W	H
	25 - 25W	

**Accessory: Tombstone**

**EXAMPLE NUMBER: 9913-A**

Tombstones	
Tombstones	9913-A (Non-Shunted Tombstone Socket - Single-End Power) 9913-B (Shunted Tombstone Socket - Double-End Power)



Not all products are qualified on the DLC QPL. To view our DLC qualified products, please consult the DLC Qualified Products List at [www.design-lights.org/qpl](http://www.design-lights.org/qpl).



**100-277V SKU Numbers:**

Product Number	Description	Base Type	Wattage	Color Temp (K)	Dimensions	Lumens (lm)	Input Voltage	Warranty	Certification
832115-50-B-F	TrueFit™ (Type A/B) Tube	G13	15W	5000	23.74"x1.02"	2,040	100-277V	5 year	UL, cUL, & DLC
832115-40-B-F	TrueFit™ (Type A/B) Tube	G13	15W	4000	23.74"x1.02"	2,040	100-277V	5 year	UL, cUL, & DLC
832115-35-B-F	TrueFit™ (Type A/B) Tube	G13	15W	3500	23.74"x1.02"	2,040	100-277V	5 year	UL, cUL, & DLC
833115-30-B-F	TrueFit™ (Type A/B) Tube	G13	15W	3000	23.74"x1.02"	2,040	100-277V	5 year	UL, cUL, & DLC
833115-50-B-F	TrueFit™ (Type A/B) Tube	G13	15W	5000	35.71"x1.02"	1,776	100-277V	5 year	UL, cUL
833115-40-B-F	TrueFit™ (Type A/B) Tube	G13	15W	4000	35.71"x1.02"	1,776	100-277V	5 year	UL, cUL
833115-35-B-F	TrueFit™ (Type A/B) Tube	G13	15W	3500	35.71"x1.02"	1,776	100-277V	5 year	UL, cUL
833115-30-B-F	TrueFit™ (Type A/B) Tube	G13	15W	3000	35.71"x1.02"	1,776	100-277V	5 year	UL, cUL
834112-50-B-F	TrueFit™ (Type A/B) Tube	G13	12W	5000	47.76"x1.02"	1,776	100-277V	5 year	UL, cUL, & DLC
834112-40-B-F	TrueFit™ (Type A/B) Tube	G13	12W	4000	47.76"x1.02"	1,776	100-277V	5 year	UL, cUL, & DLC
834112-35-B-F	TrueFit™ (Type A/B) Tube	G13	12W	3500	47.76"x1.02"	1,776	100-277V	5 year	UL, cUL, & DLC
834112-30-B-F	TrueFit™ (Type A/B) Tube	G13	12W	3000	47.76"x1.02"	1,776	100-277V	5 year	UL, cUL, & DLC
834115-50-B-F	TrueFit™ (Type A/B) Tube	G13	15W	5000	47.76"x1.02"	2,040	100-277V	5 year	UL, cUL, & DLC
834115-40-B-F	TrueFit™ (Type A/B) Tube	G13	15W	4000	47.76"x1.02"	2,040	100-277V	5 year	UL, cUL, & DLC
834115-35-B-F	TrueFit™ (Type A/B) Tube	G13	15W	3500	47.76"x1.02"	2,040	100-277V	5 year	UL, cUL, & DLC
834115-30-B-F	TrueFit™ (Type A/B) Tube	G13	15W	3000	47.76"x1.02"	2,040	100-277V	5 year	UL, cUL, & DLC
834118-50-B-F	TrueFit™ (Type A/B) Tube	G13	18W	5000	47.76"x1.02"	2,340	100-277V	5 year	UL, cUL, & DLC
834118-40-B-F	TrueFit™ (Type A/B) Tube	G13	18W	4000	47.76"x1.02"	2,340	100-277V	5 year	UL, cUL, & DLC
834118-35-B-F	TrueFit™ (Type A/B) Tube	G13	18W	3500	47.76"x1.02"	2,340	100-277V	5 year	UL, cUL, & DLC
834118-30-B-F	TrueFit™ (Type A/B) Tube	G13	18W	3000	47.76"x1.02"	2,340	100-277V	5 year	UL, cUL, & DLC



Not all products are qualified on the DLC QPL. To view our DLC qualified products, please consult the DLC Qualified Products List at [www.design-lights.org/qpl](http://www.design-lights.org/qpl).

