



Not all products are qualified on the DLC QPL. To view our DLC qualified products, please consult the DLC Qualified Products List at www.designlights.org/qpl.

TRUEFIT™ LED TUBE

www.trulygreensolutions.com

tgs
TRULY GREEN SOLUTIONS



Not all products are qualified on the DLC QPL. To view our DLC qualified products, please consult the DLC Qualified Products List at www.design-lights.org/qpl.

Features

The Most Versatile LED Tube



3 LENGTHS
AVAILABLE IN
12W/15W/18W



EXPECTED LIFE
OVER 50,000 HRS



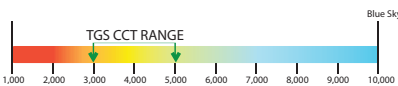
IES FILES @
www.trulygreensolutions.com



SUITABLE FOR
DAMP LOCATIONS



GLARE FREE
PC LENS



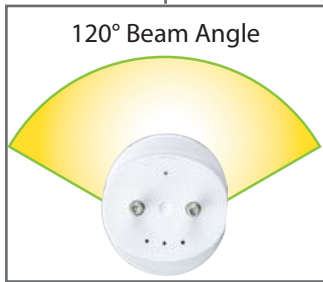
SELECTION OF
COLOR RANGES

Available in 2ft, 3ft, and 4ft

Dual Function:
• Plug & Play: Works with existing ballast (Works with over 200 electronic ballasts)
• Easy rewiring to bypass the ballast



- Mercury Free
- Lead Free
- IR Free
- UV Free



Compatible Emergency Battery Backup Available

- Type A : Ballast Compatible
- Type B : Bypass Ballast
- Type A/B : Ballast Compatible or Bypass Ballast**
- Type C : External Power



EASY INSTALLATION

Applications



Parking Garage



Mall



Storage Facility





	Bare Lamp	Low Ballast Factor (0.78)	Normal Ballast Factor (0.88)	High Ballast Factor (1.10)
Wattage	12W	13.5	16.5	17.5
Lumen	1680	1680	2069	2180

Replaces 4' T8 Fluorescent Tubes

Highlights

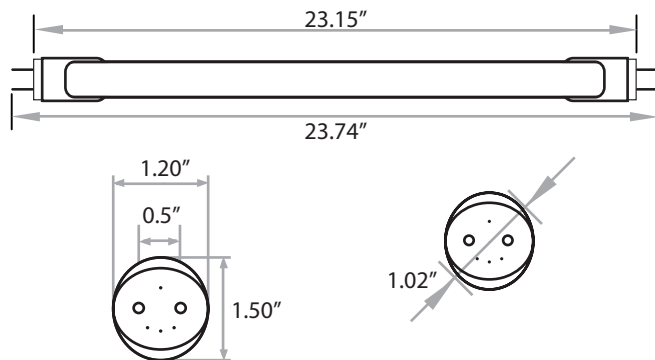
The TGS TrueFit™ LED T8 lamp offers an easy and safe energy-saving retrofit solution for fluorescent tube lamps, with over 125 lumens per watt. The TrueFit™ lamp provides universal operating options: plug and play with instant-start electronic ballasts, or bypass the existing ballast to run directly off line voltage.

The Truefit™ LED T8 lamp provides instant energy savings and superior quality uniform, flicker-free lighting in a complete package. It uses about half the energy as T8 fluorescent lamps, with up to 70% reduction of overall operating costs. The UL, cUL, and RoHS certified lamps are available in 2', 3' and 4' lengths, in 3 different wattages (12W, 15W and 18W), with the form, fit, and function of traditional T8 fluorescent lamps. The TrueFit™ lamp is constructed with a polycarbonate optical diffuser, which provides a wide beam angle of 120° for comprehensive spatial illumination.

Featuring a unique advanced heat sink technology that ensures maximum thermal management, the Truefit™ is backed by a 5 year/50,000 hour warranty for a long life of maintenance-free service. Available CCT's are 3000K, 3500K, 4000K and 5000K.

Product Dimensions

Length: 47.76 in (1213mm) [Pin to Pin] Weight: 0.794 lbs (360g)
Length: 47.17 in (1198mm) [Cap to Cap] Diameter: 1.02 in (26mm)



Optical Details

System Efficacy	110 LpW (With Ballast)
System Efficacy	125 LpW (Without Ballast)
Lumen Output	1,680 lm
CCT	3000K, 3500K, 4000K, 5000K
Beam Angle	120°
CRI	>80

Electrical Details

Input Voltage	100-277V AC (347V Available)
Power Frequency	50-60 Hz
Output Voltage	N/A
Output Current	N/A
Power Efficiency	N/A
Power Factor	>0.99
Total Harmonic Distortion	<20%
Dimmable	No

Other Details

System Power Usage	12W
LED Power Usage	N/A
Fixture Material	Aluminum Base and PC Housing
Finish	N/A
Ingress Protection	Suitable For Damp Locations
Luminaire Net Weight	0.794 lbs (360g)
Lifespan	50,000+ Hours
Storage Temperature	-4°~122°F
Operating Temperature	-22~104°F
Operating Humidity	N/A
Product Dimension	47.76x1.02 in (pin to pin)
Replaces	T8 Fluorescent

Application

• Offices	• Hospitals
• Industrial Shops	• Hotels
• Schools	• High / Low Bay
• Commercial Buildings	• Troffers / Strips

Base Options

• G13 Pin (Bi-pin)



Ballast Compatibility List

GE:

1. **GE-132MAX-L/ULTRA** INSTANT START BALLAST
2. **GE-232MAX-L/ULTRA** INSTANT START BALLAST
3. **GE-332MAX-L/ULTRA** INSTANT START BALLAST
4. **GE-432MAX-L/ULTRA** INSTANT START BALLAST
5. **GE-132MAX-N/ULTRA** INSTANT START BALLAST
6. **GE-232MAX-N/ULTRA** INSTANT START BALLAST
7. **GE-332MAX-N/ULTRA** INSTANT START BALLAST
8. **GE-432MAX-N/ULTRA** INSTANT START BALLAST
9. **GE-132MAX-H/ULTRA** INSTANT START BALLAST
10. **GE-232MAX-H/ULTRA** INSTANT START BALLAST
11. **GE-332MAX-H/ULTRA** INSTANT START BALLAST
12. **GE-432MAX-H/ULTRA** INSTANT START BALLAST
13. **GE-132MAX-347-L** INSTANT START BALLAST
14. **GE-232MAX-347-L** INSTANT START BALLAST
15. **GE-332MAX-347-L** INSTANT START BALLAST
16. **GE-432MAX-347-L** INSTANT START BALLAST
17. **GE-132MAX-347-N** INSTANT START BALLAST
18. **GE-232MAX-347-N** INSTANT START BALLAST
19. **GE-332MAX-347-N** INSTANT START BALLAST
20. **GE-432MAX-347-N** INSTANT START BALLAST
21. **GE-132MAX-347-H** INSTANT START BALLAST
22. **GE-232MAX-347-H** INSTANT START BALLAST
23. **GE-332MAX-347-H** INSTANT START BALLAST
24. **GE-432MAX-347-H** INSTANT START BALLAST
25. **GE-132MAX-H-42T** INSTANT START BALLAST
26. **GE-232MAX-H-42T** INSTANT START BALLAST
27. **GE-332MAX-H-42T** INSTANT START BALLAST
28. **GE-432MAX-H-42T** INSTANT START BALLAST
29. **GE-132MAX-G-N-DIYB** INSTANT START BALLAST
30. **GE-232MAX-G-N-DIYB** INSTANT START BALLAST
31. **GE-332MAX-G-N-DIYB** INSTANT START BALLAST
32. **GE-432MAX-G-N-DIYB** INSTANT START BALLAST
33. **GE-132-120RESDIYB** INSTANT START BALLAST
34. **GE-232-120RESDIYB** INSTANT START BALLAST
35. **GE-332-120RESDIYB** INSTANT START BALLAST
36. **GE-432-120RESDIYB** INSTANT START BALLAST
37. **GE240RES120-DIYB** RAPID START BALLAST
38. **GE240RSMVN-DIYB** RAPID START BALLAST
39. **GE-132-120RES-DIY** INSTANT START BALLAST
40. **GE-232-120RES-DIY** INSTANT START BALLAST
41. **GE-332-120RES-DIY** INSTANT START BALLAST
42. **GE-432-120RES-DIY** INSTANT START BALLAST
43. **GE240RS120-DIY** RAPID START BALLAST
44. **GEM220TS120/2-DIY** RAPID START BALLAST
45. **GE-132MV-N-DIY** INSTANT START BALLAST
46. **GE-232MV-N-DIY** INSTANT START BALLAST
47. **GE-332MV-N-DIY** INSTANT START BALLAST
48. **GE-432MV-N-DIY** INSTANT START BALLAST
49. **GE-259MV-N-DIY** INSTANT START BALLAST
50. **GE-232-MVPS-N** RAPID START BALLAST
51. **GE-132-MV-N** INSTANT START BALLAST
52. **GE-232-MV-N** INSTANT START BALLAST
53. **GE-332-MV-N** INSTANT START BALLAST
54. **GE-432-MV-N** INSTANT START BALLAST
55. **GEM1FC16T9RS120/2** RAPID START BALLAST
56. **MAGNETEK-200-H2** PREHEAT START BALLAST
57. **GE-232MAXP-L/ULTRA** INSTANT START BALLAST
58. **GEM120TC120/2-DIY** RAPID START BALLAST
59. **GE-240-RS-MV-N-DIY** RAPID START BALLAST
60. **GE260IS-MV-N** INSTANT START BALLAST
61. **446-LR-TC-P** MAGNETIC RAPID START BALLAST

PHILIPS:

62. **ICN-2528** PROGRAM START BALLAST

63. **ICN-2528-N** PROGRAM START BALLAST
64. **ICN-2M32-MC** INSTANT START BALLAST
65. **ICN-1P32-N** INSTANT START BALLAST
66. **ICN-2P32-N** INSTANT START BALLAST
67. **ICN-3P32-N** INSTANT START BALLAST
68. **ICN-4P32-N** INSTANT START BALLAST
69. **ICN-1S40-N** RAPID START BALLAST
70. **ICN-2S40-N** RAPID START BALLAST
71. **ICN-3S40-N** RAPID START BALLAST
72. **ICN-4S40-N** RAPID START BALLAST
73. **REB-1P32-SC** INSTANT START BALLAST
74. **REB-2P32-SC** INSTANT START BALLAST
75. **REB-3P32-SC** INSTANT START BALLAST
76. **REB-4P32-SC** INSTANT START BALLAST
77. **RELB-1S40-N** RAPID START BALLAST
78. **RELB-2S40-N** RAPID START BALLAST
79. **RELB-3S40-N** RAPID START BALLAST
80. **RELB-4S40-N** RAPID START BALLAST
81. **IOP-1PSP32-SC** PROGRAM START BALLAST
82. **IOP-2PSP32-SC** PROGRAM START BALLAST
83. **IOP-3PSP32-SC** PROGRAM START BALLAST
84. **IOP-4PSP32-SC** PROGRAM START BALLAST
85. **IOP-1PSP32-HL-SC** PROGRAM START BALLAST
86. **IOP-2PSP32-HL-SC** PROGRAM START BALLAST
87. **IOP-3PSP32-HL-SC** PROGRAM START BALLAST
88. **IOP-4PSP32-HL-SC** PROGRAM START BALLAST
89. **IOP-1PSP32-LW-N** PROGRAM START BALLAST
90. **IOP-2PSP32-LW-N** PROGRAM START BALLAST
91. **IOP-3PSP32-LW-N** PROGRAM START BALLAST
92. **IOP-4PSP32-LW-N** PROGRAM START BALLAST
93. **IOP-2P32-N** INSTANT START BALLAST
94. **IOPA-1P32-N** INSTANT START BALLAST
95. **IOPA-2P32-N** INSTANT START BALLAST
96. **IOPA-3P32-N** INSTANT START BALLAST
97. **IOPA-4P32-N** INSTANT START BALLAST
98. **IOPA-1P32-LM-N** INSTANT START BALLAST
99. **IOPA-2P32-LM-N** INSTANT START BALLAST
100. **IOPA-3P32-LM-N** INSTANT START BALLAST
101. **IOPA-4P32-LM-N** INSTANT START BALLAST
102. **GOPA-1P32-SC** INSTANT START BALLAST
103. **GOPA-2P32-SC** INSTANT START BALLAST
104. **GOPA-3P32-SC** INSTANT START BALLAST
105. **GOPA-4P32-SC** INSTANT START BALLAST
106. **RLQ5-122-TP-W** RAPID START BALLAST
107. **RLQ-120-TP** RAPID START BALLAST

SYLVANIA:

108. **QHE1x32T8/UNV ISL-SC** INSTANT START BALLAST
109. **QHE2x32T8/UNV ISL-SC** INSTANT START BALLAST
110. **QHE3x32T8/UNV ISL-SC** INSTANT START BALLAST
111. **QHE4x32T8/UNV ISL-SC** INSTANT START BALLAST
112. **QHE1x32T8/UNV ISN-SC** INSTANT START BALLAST
113. **QHE2x32T8/UNV ISN-SC** INSTANT START BALLAST
114. **QHE3x32T8/UNV ISN-SC** INSTANT START BALLAST
115. **QHE4x32T8/UNV ISN-SC** INSTANT START BALLAST
116. **QHE1x32T8/UNV ISH-SC** INSTANT START BALLAST

117. **QHE2x32T8/UNV ISH-SC** INSTANT START BALLAST
118. **QHE3x32T8/UNV ISH-SC** INSTANT START BALLAST
119. **QHE4x32T8/UNV ISH-SC** INSTANT START BALLAST
120. **QHE1x32T8/UNV ISL-SC-1** INSTANT START BALLAST
121. **QHE2x32T8/UNV ISL-SC-1** INSTANT START BALLAST
122. **QHE3x32T8/UNV ISL-SC-1** INSTANT START BALLAST
123. **QHE4x32T8/UNV ISL-SC-1** INSTANT START BALLAST
124. **QHE1x32T8/UNV ISN-SC-1** INSTANT START BALLAST
125. **QHE2x32T8/UNV ISN-SC-1** INSTANT START BALLAST
126. **QHE3x32T8/UNV ISN-SC-1** INSTANT START BALLAST
127. **QHE4x32T8/UNV ISN-SC-1** INSTANT START BALLAST
128. **QHE1x32T8/UNV ISH-SC-1** INSTANT START BALLAST
129. **QHE2x32T8/UNV ISH-SC-1** INSTANT START BALLAST
130. **QHE3x32T8/UNV ISH-SC-1** INSTANT START BALLAST
131. **QHE4x32T8/UNV ISH-SC-1** INSTANT START BALLAST
132. **QTP1x32T8/UNV PSN-SC** PROGRAM START BALLAST
133. **QTP2x32T8/UNV PSN-SC** PROGRAM START BALLAST
134. **QTP3x32T8/UNV PSN-SC** PROGRAM START BALLAST
135. **QTP4x32T8/UNV PSN-SC** PROGRAM START BALLAST
136. **QHE1x32T8/UNV PSN-MC** PROGRAM START BALLAST
137. **QHE2x32T8/UNV PSN-MC** PROGRAM RAPID START BALLAST
138. **QHE3x32T8/UNV PSN-MC** PROGRAM RAPID START BALLAST
139. **QHE4x32T8/UNV PSN-MC** PROGRAM RAPID START BALLAST
140. **QHE1x32T8/347 ISL-SC** INSTANT START BALLAST
141. **QHE2x32T8/347 ISL-SC** INSTANT START BALLAST
142. **QHE3x32T8/347 ISL-SC** INSTANT START BALLAST
143. **QHE4x32T8/347 ISL-SC** INSTANT START BALLAST
144. **QHE1x32T8/347 ISN-SC** INSTANT START BALLAST
145. **QHE2x32T8/347 ISN-SC** INSTANT START BALLAST
146. **QHE3x32T8/347 ISN-SC** INSTANT START BALLAST
147. **QHE4x32T8/347 ISN-SC** INSTANT START BALLAST
148. **QHE1x32T8/347 ISH-SC** INSTANT START BALLAST
149. **QHE2x32T8/347 ISH-SC** INSTANT START BALLAST
150. **QHE3x32T8/347 ISH-SC** INSTANT START BALLAST
151. **QHE4x32T8/347 ISH-SC** INSTANT START BALLAST
152. **QTP1x32T8/UNV ISL-SC** INSTANT START BALLAST
153. **QTP2x32T8/UNV ISL-SC** INSTANT START BALLAST
154. **QTP3x32T8/UNV ISL-SC** INSTANT START BALLAST
155. **QTP4x32T8/UNV ISL-SC** INSTANT START BALLAST
156. **QTP1x32T8/UNV ISN-SC** INSTANT START BALLAST
157. **QTP2x32T8/UNV ISN-SC** INSTANT START BALLAST
158. **QTP3x32T8/UNV ISN-SC** INSTANT START BALLAST
159. **QTP4x32T8/UNV ISN-SC** INSTANT START BALLAST
160. **QTP1x32T8/UNV ISH-SC** INSTANT START BALLAST
161. **QTP2x32T8/UNV ISH-SC** INSTANT START BALLAST
162. **QTP3x32T8/UNV ISH-SC** INSTANT START BALLAST
163. **QTP4x32T8/UNV ISH-SC** INSTANT START BALLAST
164. **QHE1x59T8/UNV ISL-SC** INSTANT START BALLAST
165. **QHE2x59T8/UNV ISL-SC** INSTANT START BALLAST
166. **QHE3x59T8/UNV ISL-SC** INSTANT START BALLAST
167. **QHE4x59T8/UNV ISL-SC** INSTANT START BALLAST
168. **QHE1x59T8/UNV ISN-SC** INSTANT START BALLAST
169. **QHE2x59T8/UNV ISN-SC** INSTANT START BALLAST
170. **QHE3x59T8/UNV ISN-SC** INSTANT START BALLAST
171. **QHE4x59T8/UNV ISN-SC** INSTANT START BALLAST
172. **QHE1x59T8/UNV ISH-SC** INSTANT START BALLAST
173. **QHE2x59T8/UNV ISH-SC** INSTANT START BALLAST
174. **QHE3x59T8/UNV ISH-SC** INSTANT START BALLAST
175. **QHE4x59T8/UNV ISH-SC** INSTANT START BALLAST

SUNPARK:

176. **U-1/32PSE** RAPID START BALLAST
177. **U-2/32PSE** RAPID START BALLAST

178. **U-3/32PSE** RAPID START BALLAST
179. **U-1/32ISE** INSTANT START BALLAST
180. **U-2/32ISE** INSTANT START BALLAST
181. **U-3/32ISE** INSTANT START BALLAST
182. **U-1/32ISE-HBF** INSTANT START BALLAST
183. **U-2/32ISE-HBF** INSTANT START BALLAST
184. **U-1/32ISE-LBF** INSTANT START BALLAST
185. **U-2/32ISE-LBF** INSTANT START BALLAST
186. **5L15T** RAPID START BALLAST
187. **U-132P53-HBF** PROGRAM START BALLAST
188. **U-232P53** PROGRAM START BALLAST

ROBERTSON:

189. **ISU232T8120** INSTANT START BALLAST
190. **RN320P RAPID** START BALLAST
191. **SS2P** PREHEAT SELF START BALLAST
192. **HPS1P** PREHEAT START BALLAST
193. **L15A** SIMPLE REACTANCE BALLAST
194. **SP258** SIMPLE REACTANCE BALLAST
195. **O1527P** SIMPLE REACTANCE BALLAST
196. **PSA124T5MV** PROGRAM START BALLAST

STERIL-AIRE:

197. **10000175** RAPID START BALLAST

TRIAD:

198. **B232IUNVEL-A** INSTANT START BALLAST
199. **B232IUNVHP-B** INSTANT START BALLAST
200. **B232IUNVHP-N** INSTANT START BALLAST
201. **B234SR120M-A** RAPID START BALLAST

HI:

202. **EPH2/32IS/MV/MC/HE** INSTANT START BALLAST
203. **E2/40RS-120MC** RAPID START BALLAST

KEYSTONE:

204. **KTEB-2C72-1-TP** RAPID START BALLAST
205. **KTEB-220-1-TP-EMI /C** RAPID START BALLAST
206. **240TPES** RAPID START BALLAST

ESPEN:

207. **VE232MVHIPLE** INSTANT START BALLAST
208. **VE259120HIP** INSTANT START BALLAST

PROLUME:

209. **EP232IS/L/MV/SL** INSTANT START BALLAST

RADIONIC:

210. **E232H12** INSTANT START BALLAST

WORKHORSE:

211. **WH3-120-L** INSTANT START BALLAST
212. **WHCG2-120-T8** INSTANT START BALLAST

SUPERIOR LIFE:

213. **70201** INSTANT START BALLAST

PRO STANDARD:

214. **G122540-TP** RAPID START BALLAST



Ordering Information

EXAMPLE NUMBER: 834115-40-B-X (TrueFit™ Frosted Tube 15W 4000K)

83	Length	Wattage	CCT	Company Code	Company Code	Input Power
TrueFit™ LED Tube Frosted	21 - 24"	12 - 12W	50 - 5000K	B	X	100-277V (Standard)
	31 - 36"	15 - 15W	40 - 4000K			347V - 347V (Option)
	41 - 48"	18 - 18W	35 - 3500K			
			30 - 3000K			

***Note:**
 - 15W Available in 2', 3', and 4'
 - 12W and 18W Available in 4'

Emergency Battery Backup Accessory Options

EXAMPLE NUMBER: 90018-H

900	Wattage	High Voltage
High Voltage LED Emergency Battery Backup	18 - 18W	H
	25 - 25W	

Accessory: Tombstone

EXAMPLE NUMBER: 9913-A

Tombstones	
Tombstones	9913-A (Non-Shunted Tombstone Socket - Single-End Power) 9913-B (Shunted Tombstone Socket - Double-End Power)

Frosted SKU Numbers:

For **347V** add "**347V**" at the end of the SKU:
EXAMPLE NUMBER: 834112-50-B-X-[347V]

Product Number	Base Type	Wattage	Color Temp (K)	Dimensions	Lumens (lm)	Input Voltage	Warranty	DLC® Qualified
832115-50-B-X	G13	15W	5000	23.74"x1.02"	2,100	100-277V	5 year	Yes
832115-40-B-X	G13	15W	4000	23.74"x1.02"	2,100	100-277V	5 year	Yes
832115-35-B-X	G13	15W	3500	23.74"x1.02"	2,100	100-277V	5 year	Yes
833115-30-B-X	G13	15W	3000	23.74"x1.02"	2,100	100-277V	5 year	Yes
833115-50-B-X	G13	15W	5000	35.71"x1.02"	2,100	100-277V	5 year	No
833115-40-B-X	G13	15W	4000	35.71"x1.02"	2,100	100-277V	5 year	No
833115-35-B-X	G13	15W	3500	35.71"x1.02"	2,100	100-277V	5 year	No
833115-30-B-X	G13	15W	3000	35.71"x1.02"	2,100	100-277V	5 year	No
834112-50-B-X	G13	12W	5000	47.76"x1.02"	1,680	100-277V	5 year	Yes
834112-40-B-X	G13	12W	4000	47.76"x1.02"	1,680	100-277V	5 year	Yes
834112-35-B-X	G13	12W	3500	47.76"x1.02"	1,680	100-277V	5 year	Yes
834112-30-B-X	G13	12W	3000	47.76"x1.02"	1,680	100-277V	5 year	Yes
834115-50-B-X	G13	15W	5000	47.76"x1.02"	2,100	100-277V	5 year	Yes
834115-40-B-X	G13	15W	4000	47.76"x1.02"	2,100	100-277V	5 year	Yes
834115-35-B-X	G13	15W	3500	47.76"x1.02"	2,100	100-277V	5 year	Yes
834115-30-B-X	G13	15W	3000	47.76"x1.02"	2,100	100-277V	5 year	Yes
834118-50-B-F	G13	18W	5000	47.76"x1.02"	2,520	100-277V	5 year	Yes
834118-40-B-F	G13	18W	4000	47.76"x1.02"	2,520	100-277V	5 year	Yes
834118-35-B-F	G13	18W	3500	47.76"x1.02"	2,520	100-277V	5 year	Yes
834118-30-B-F	G13	18W	3000	47.76"x1.02"	2,520	100-277V	5 year	Yes



Not all products are qualified on the DLC QPL. To view our DLC qualified products, please consult the DLC Qualified Products List at www.design-lights.org/qpl.

