

LED ECO™ PANEL

www.trulygreensolutions.com



Features



7 MODELS
AVAILABLE IN
30W TO 75W



EXPECTED LIFE
OVER 50,000 HRS



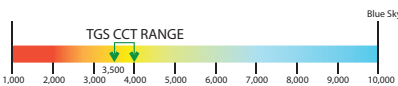
IES FILES @
www.trulygreensolutions.com



SUITABLE FOR
DAMP LOCATIONS



0-10V
DIMMABLE



SELECTION OF
COLOR RANGES

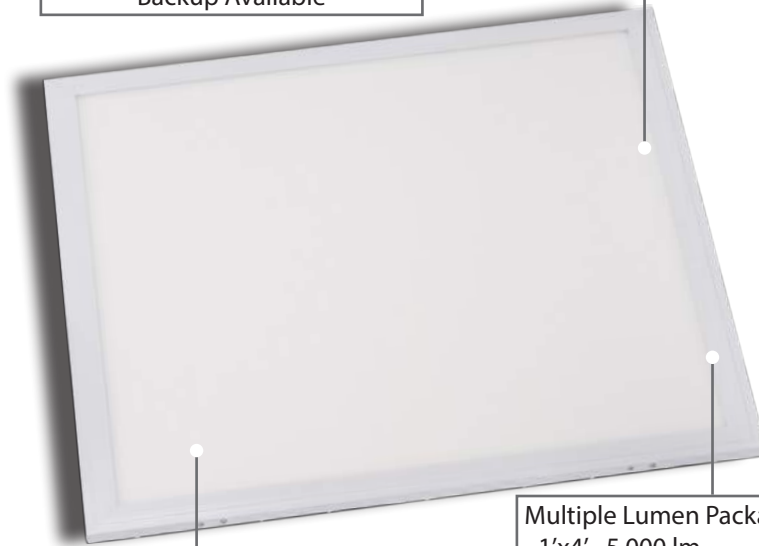


EASY INSTALLATION



Compatible Emergency Battery
Backup Available

Suitable For Damp Location Use



Standard 0-10V Dimming

Multiple Lumen Packages:
 • 1'x4' - 5,000 lm
 • 2'x2' - 3,750 lm, 5,000 lm, 6,600 lm
 • 2'x4' - 5,000 lm, 6,000 lm, 9,375 lm

Recommended Dimmers:



NOVA T NTSATV-DV
LUTRON.

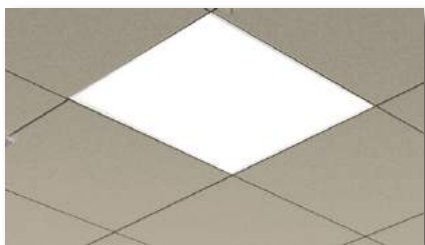


DIVA-DVTV
LUTRON.



IP710-DLZ
LEVITON.

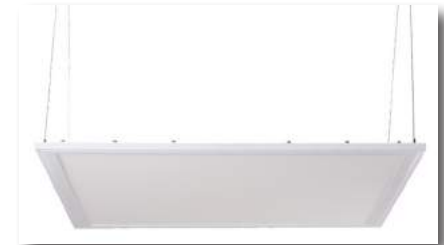
Mounting Options



Recessed Mount



Surface Mount



Suspended Mount





Highlights

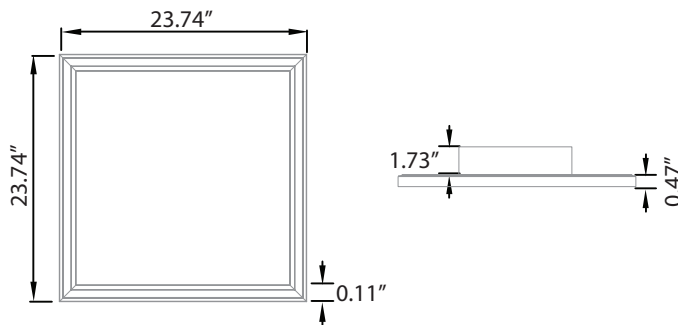
The TGS Eco™ Edge Lit panel affords an efficient and elegant LED replacement for fluorescent lamps and troffer fixtures in offices, schools, hospitality, healthcare and other commercial and industrial applications. It provides flicker-free, uniform lighting, with an on-board driver that allows bypass of existing ballasts for quick, easy and safe installation.

The Eco™ Edge Lit panel is equipped with an aluminum heat sink for advanced thermal control. Designed with high-quality, durable components, the panels can be surface, recess or suspension mounted for a contemporary or traditional look. Engineered with robust LEDs, the Eco™ Panel produces high lumen output and provides superior correlation to a wide range of selected color temperatures (CCT). The comprehensive spatial illumination provides a more natural light and reduces stress associated with fluorescent lighting.

It is available in 1'x4', 2'x2' and 2'x4' models, in 3500K and 4000K CCT. The TGS Eco™ Edge Lit LED panel is Title 24 compliant, with full dimmable functionality, and is compatible with building controls, motion sensors, timers, and daylight harvesting systems. The TGS Eco™ panel is UL, cUL, and RoHS certified, and suitable for damp locations. It is backed by a 5 year/50,000 hour warranty for a long life of maintenance-free service. Recommended for indoor use only.

Product Dimensions

Length: 23.74 in (603mm) Width: 23.74in (603mm) Weight: 9.81 lbs (4.45kg) w/o driver
Height: 2.2 in (55.89mm) w/ driver box Height: 0.47 in (11.94mm) w/o driver box



Optical Details

System Efficacy	110 LpW
Lumen Output	6,600 lm
CCT	3500K, 4000K
Beam Angle	120°
CRI	>90
System Efficiency	N/A

Electrical Details

Input Voltage	100-277V AC
Power Frequency	50-60 Hz
Output Voltage	N/A
Output Current	N/A
Power Efficiency	N/A
Power Factor	>0.9
Total Harmonic Distortion	< 20%
Dimmable	0-10 Dimming

Other Details

System Power Usage	60W
LED Power Usage	N/A
Fixture Material	Aluminum Housing and PC Lens
Finish	N/A
Ingress Protection	Suitable For Damp Locations
Luminaire Net Weight	9.81 lbs (4.45kg) w/o driver
Lifespan	50,000+ Hours
Storage Temperature	32°~122°F
Operating Temperature	-4°~122°F
Operating Humidity	N/A
Product Dimension	23.74x23.74x2.2 in
Replaces (HID, CFL, MH, HPS, Fluor)	1'x4', 2'x2', and 2'x4' Fluorescent Fixtures

Application

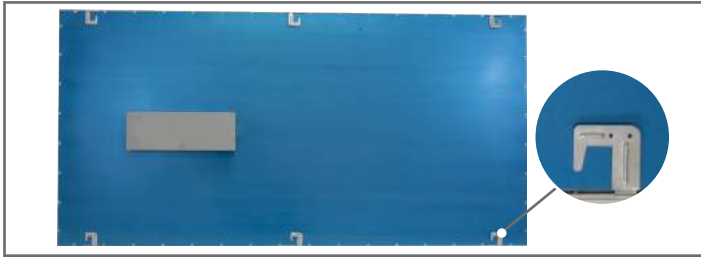
• Offices	• Healthcare
• Reception Halls	• Hospitality
• Schools	• Conference Rooms
• Commercial Application	• Residential Application

Base Options

• Recessed Mount (Standard)
• Surface Mount (Additional Cost)
• Suspended Mount (Additional Cost)



Mounting Options



Recessed Mounting:

The recessed mounting option allows standard panel recessed installation utilizing the T-Bar frame of the drop ceiling. Four metal hooks attached to the rear/top of the panel accommodate safety reinforcement cables that hang from above.



Surface Mounting:

Surface mounting utilizes four mounting brackets in the surface mount kit. The brackets are screwed together to make a frame, then mounted on the ceiling. With three brackets installed, the panel can be slid into place in the ceiling and the fourth end bracket is added to complete the installation. The frame and panel protrude approximately 2 3/4" below the ceiling.



Suspended Mounting:

The suspended mount kit includes steel cables with a ceiling and panel end. The ceiling end is comprised of pre-drilled disks for bolting into the ceiling, and the panel end is equipped with metal brackets with pre-drilled holes. These brackets can be screwed onto the rear/top of the panel by unscrewing 4 of the assembly screws and inserting the brackets.

Accessory



Low Voltage Battery Backup:

The Truly Green Solutions Low-Voltage LED Emergency Battery Backup is an invaluable addition to your LED luminaires. In the event of a power failure, it switches to emergency mode and powers LED lights with external drivers. The device output is 12V-48V DC, and is suitable for use with 100-277V AC devices. The TGS Low Voltage Emergency Battery Backup maintains illumination at a constant level for up to 90 minutes.

Ordering Information

EXAMPLE NUMBER: 881440-40-L-F-90CRI

* Recessed Mount is standard no additional cost

88	Size	Wattage	CCT	Company Code	F	CRI
LED Eco Panel	14 -1x4	40 - 40W	40 - 4000K 35 - 3500K	L	F	90CRI

88	Size	Wattage	CCT	Company Code	F	CRI
LED Eco Panel	22 -2x2	30 - 30W 40 - 40W 60 - 60W	40 - 4000K 35 - 3500K	L	F	90CRI

88	Size	Wattage	CCT	Company Code	F	CRI
LED Eco Panel	24 -2x4	40 - 40W 50 - 50W 75 - 75W	40 - 4000K 35 - 3500K	L	F	90CRI

Mounting Options

EXAMPLE NUMBER: 8814-SK-L

* Recessed Mount is standard no additional cost

88	Size	Mounting Option	L
Mounting options	14 -1x4 22 -2x2 44 -2x4	SK - Surface Mount Kit SM - Suspension Kit	L

Emergency Battery Backup Accessory Options

EXAMPLE NUMBER: 90012-L

900	Wattage	Low Voltage
Low Voltage LED Emergency Battery Backup	8 - 8W 12 - 12W 25 - 25W	L



1x4 Panel SKU Numbers:

SKU Number	Dimmable	Wattage	Color Temp (K)	Dimensions	Lumens (lm)	Input Voltage	Warranty	DLC® Qualified
881440-40-L-F-90CRI	Yes	40W	4000	47.44"x11.81"x2.2"	5,000	100-277V	5 year	No
881440-35-L-F-90CRI	Yes	40W	3500	47.44"x11.81"x2.2"	5,000	100-277V	5 year	No

2x2 Panel SKU Numbers:

SKU Number	Dimmable	Wattage	Color Temp (K)	Dimensions	Lumens (lm)	Input Voltage	Warranty	DLC® Qualified
882230-40-L-F-90CRI	Yes	30W	4000	23.74"x23.74"x2.2"	3,750	100-277V	5 year	No
882230-35-L-F-90CRI	Yes	30W	3500	23.74"x23.74"x2.2"	3,750	100-277V	5 year	No
882240-40-L-F-90CRI	Yes	40W	4000	23.74"x23.74"x2.2"	5,000	100-277V	5 year	No
882240-35-L-F-90CRI	Yes	40W	3500	23.74"x23.74"x2.2"	5,000	100-277V	5 year	No
882260-40-L-F-90CRI	Yes	60W	4000	23.74"x23.74"x2.2"	6,600	100-277V	5 year	No
882260-35-L-F-90CRI	Yes	60W	3500	23.74"x23.74"x2.2"	6,600	100-277V	5 year	No

2x4 Panel SKU Numbers:

SKU Number	Dimmable	Wattage	Color Temp (K)	Dimensions	Lumens (lm)	Input Voltage	Warranty	DLC® Qualified
882440-40-L-F-90CRI	Yes	40W	4000	47.72"x23.74"x2.2"	5,000	100-277V	5 year	No
882440-35-L-F-90CRI	Yes	40W	3500	47.72"x23.74"x2.2"	5,000	100-277V	5 year	No
882450-40-L-F-90CRI	Yes	50W	4000	47.72"x23.74"x2.2"	6,250	100-277V	5 year	No
882450-35-L-F-90CRI	Yes	50W	3500	47.72"x23.74"x2.2"	6,250	100-277V	5 year	No
882475-40-L-F-90CRI	Yes	75W	4000	47.72"x23.74"x2.2"	9,375	100-277V	5 year	No
882475-35-L-F-90CRI	Yes	75W	3500	47.72"x23.74"x2.2"	9,375	100-277V	5 year	No

