

Date:	
Project Name:	
SKU #:	

LSL™
Linear Strip Light



APPLICATIONS

Commercial and Industrial

FEATURES

Construction

- Die-formed Cold-Rolled Steel Body

Finish

- Matte White

Electrical & Technical

- Input Voltage: 120-277V
- Input Frequency: 50/60Hz
- Projected Life: L70 > 100,000 hrs
- PF: >0.9
- CRI: >80
- THD: <20%
- Adjustable Lumen Output
- CCT Selectable:
3000K/3500K/4000K/5000K
- Operating Temp.: -40F ~ 104°F
- 8W Emergency Battery Backup
[Factory Installed] [Only For 120-277V]

Optical

- Diffused PC Lens
- 120° Beam Angle

Installation/Mounting

- Surface Mount [Standard]
- Hanging Chain: 4'
- Hanging Wire: 4" Adjustable

Controls

- 0-10V Dimming
- Internal Bi-level Motion/Daylight Harvesting Sensor [Option] [Factory Installed]

Lumen Output

- L1:
- 15W: 1,950lm
 - 20W: 2,600lm
 - 25W: 3,250lm
- L2:
- 25W: 2,600lm
 - 30W: 3,900lm
 - 40W: 5,200lm

Warranty

- 5 Year Warranty
See warranty documentation for more information.



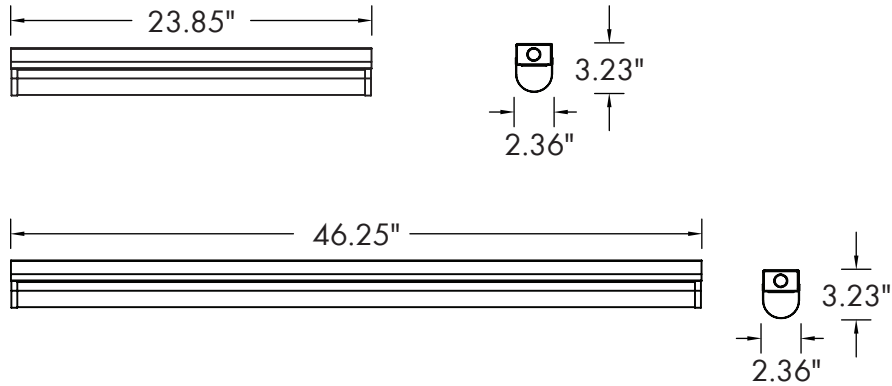
ORDERING INFORMATION **EXAMPLE: LSL-4-L2-C-U-D-SM**

Series	Length	Wattage	CCT	Input Voltage	Dimming	Mounting Option	Control Option	EM Battery Option
LSL	2 - 2' 4 - 4'	L1 - 15W/20W/25W L2 - 25W/30W/40W	C - 3000K/3500K/4000K/5000K	U - 120-277V	D - 0-10V Dimming	SM - Surface Mount HC - Hanging Chain HW - Hanging Wire	M - Bi-level Motion/ Daylight Harvesting Sensor	EM - EM Battery Backup

Accessories

- LSL-WG1 (2' Wire Guard)
- LSL-WG2 (4' Wire Guard)

DIMENSIONS



LUMEN OUTPUT

SKU	Length (ft)	Wattage (W)	Delivered Lumens (lm)	Efficacy (lm/W)	Delivered Lumens (lm)	Efficacy (lm/W)	Delivered Lumens (lm)	Efficacy (lm/W)
LSL-2-L1-C-U-D-SM	2	15/20/25	1950 (15W)	130	2600 (20W)	130	3250 (25W)	130
LSL-4-L2-C-U-D-SM	4	25/30/40	2600 (25W)	130	3900 (30W)	130	5200 (40W)	130

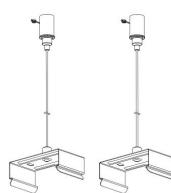
ACCESSORIES



Junction Box
Plate Cover
Surface Mount
[Included]



Hanging Chain
Mount
[HC]



Hanging Wire
Mount
[HW]



8W Emergency
Battery Backup
(Factory Installed)
[EM]



Internal Bi-level Motion/
Daylight Harvesting Sensor
(Factory Installed)
[M]



Wire Guard
[LSL-WG1 (2' Wire Guard)]
[LSL-WG2 (4' Wire Guard)]

CONTROL PRE-COMMISSIONING

Default setting are indicated by *

Detection Angle	Time Delay	Daylight Harvesting	Stand-by Light Level Setting	Stand-by Time Setting
50%	1 min	Light Sensor Disabled*	10%	∞
100%*	10min*	1FC (10lux)	20%*	1 min
	20min	3FC (30lux)	30%	30min
	30min	5FC (50lux)	50%	60min*

Detection Angle:

Setting that determines the maximum lumen output for each space through when motion is detection.

Time Delay:

The light can be set to stay ON for any period of time between approx. 10 sec. to a maximum of 60 min. Any movement detected before this time elapse will re-start the timer.

Daylight Harvesting:

The chosen light response threshold can be disabled or respond when photocell detects foot candle levels 1-5 FC

Stand-by Light Level:

Setting determines how much lumen output is dimmed down to when no motion is detected.

Stand-by Time:

Setting determines how long after stand-by light level occurs the light will shut off. Up to 60 minutes.