



COMBINED FAMILY SPECIFICATION

ALP E2™

Adjustable Area & Site Light - Stocking Package

ALP E2™ SP S - Small Adjustable Area & Site Light

ALP E2™ SP M - Medium Adjustable Area & Site Light

Date:	
Project Name:	
SKU #:	

ALP E2™ SP S

Adjustable Area & Site Light - Stocking Package



INCLUDED WITH ALP™ E2 IN STOCKING PACKAGE



APPLICATIONS

Commercial Parking Lots, Pedestrian Pathways, Street Lighting, Site and Recreational Sports

FEATURES

Construction

- Rugged Die-cast Aluminum Housing

Electrical & Technical

- Input Voltage: 120-277V
- Input Frequency: 50/60Hz
- Projected Life: L70 > 100,000 hrs
- PF: >0.9
- CRI: >80
- THD: <20%
- Adjustable Lumen Output
- CCT Selectable: 3000K/4000K/5000K
- Operating Temp.: -40°F ~ 113°F
- IP Rating: IP65 Fixture Enclosure
- IP Rating: IK08
- Surge Protection: 10kV [Included]
- AUX Power 12V [Included]

Controls

- 0-10V Dimming [Standard]
- 7 Pin Receptacle with Shorting Cap and 3 Pin Photocell [Included]
- Screw-In Bi-level Occupancy/Daylight Harvesting Sensor [Option]

EPA Rating

- 80W/120W/150W [1.62ft²]

Lumen Output

- 80W: 12,391lm
- 120W: 17,313lm
- 150W: 20,453lm

Finish

- Dark Bronze

Optical

- Distribution Type Included In Box:
 - Type III [Installed]
 - Type IV
 - Type V

Installation/Mounting

- Slipfitter [Installed] [KI]
- Adjustable Pole Arm Mount [Installed][KII]

Warranty

- 5 Year Warranty
See warranty documentation for more information.



ORDERING INFORMATION

EXAMPLE: ALPE2-S-KI

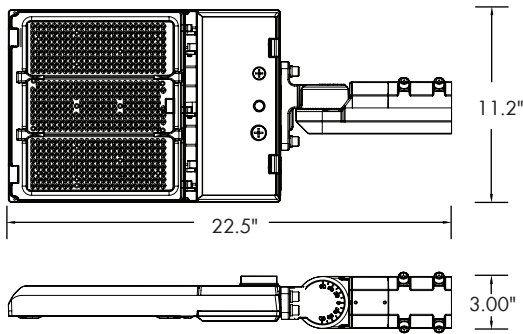
Package	Wattage	CCT	Distribution	Input Voltage	Finish	Mount	Controls
<input type="radio"/> ALPE2-S-KI	80W/120W/150W	3000K/4000K/5000K	Type III, Type IV, Type V	120-277V	Dark Bronze	Slipfitter	7 Pin Receptacle With Shorting Cap and \ 3 Pin Photocell
<input type="radio"/> ALPE2-S-KII						Adjustable Pole Arm Mount [Round and Square Poles]	

Note: CCT and Wattage are Selectable and that the Distribution is included.

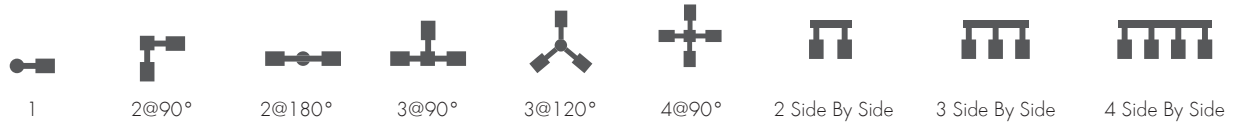
Accessories (Sold Separately)

- ALPE2-S-RLS (Reversible Light Shield [80W~150W])
- D4 (Screw-in Bi-level Occupancy/Daylight Harvesting Sensor)
- RC-02 (Remote Commissioning Tool)

TECHNICAL DETAIL



Wattage	3000K	4000K	5000K
80W	125lm/W	140lm/W	150lm/W
120W	125lm/W	140lm/W	150lm/W
150W	125lm/W	140lm/W	150lm/W



Configuration

	1	2@90°	2@180°	3@90°	3@120°	4@90°	2 Side By Side	3 Side By Side	4 Side By Side
EPA (ft ²)	0.37	0.63	0.73	1.004	1.11	1.004	0.451	0.621	0.901
Weight (lb.)	11.66	23.32	23.32	34.98	34.98	46.64	23.32	34.98	46.64

PERFORMANCE TABLE

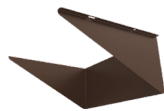
Lumen Output

Lumen value are from photometric test performed in accordance with IESNA LM-70-08. Data is considered to be representative of the configurations shown, within the tolerances allowed by Lighting Facts Contact factory for performance data on any configurations not shown here.

Performance Data:

System Watts	Dist. Type	3000K				4000K				5000K			
		Lumens	B	U	G	Lumens	B	U	G	Lumens	B	U	G
80W	3	11543	3	0	3	12386	3	0	3	12229	3	0	3
	4	11488	3	0	3	12344	3	0	3	12213	3	0	3
	5	11778	3	0	2	12709	4	0	2	12540	4	0	2
120W	3	17081	3	0	3	18964	3	0	3	16720	3	0	3
	4	17037	3	0	3	18912	3	0	3	16770	3	0	3
	5	17572	4	0	2	19529	4	0	2	17085	4	0	2
150W	3	18460	3	0	3	20874	4	0	4	19809	3	0	3
	4	18375	3	0	3	20539	3	0	3	19538	3	0	3
	5	18844	4	0	2	20994	4	0	2	19528	4	0	2

ACCESSORIES



Reversible Light Shield
[Sold Separately]
[ALPE2-S-RLS]



**Screw-In Bi-Level
Occupancy/Daylight
Harvesting Sensor**
[Sold Separately]
[D4]



**Remote
Commissioning
Tool**
[Sold Separately]
[RC-02]

Date:	
Project Name:	
SKU #:	

ALP E2™ SP M

Adjustable Area & Site Light - Stocking Package



INCLUDED WITH ALP™ E2 IN STOCKING PACKAGE



APPLICATIONS

Commercial Parking Lots, Pedestrian Pathways, Street Lighting, Site and Recreational Sports

FEATURES

Construction

- Rugged Die-cast Aluminum Housing

Electrical & Technical

- Input Voltage: 120-277V
- Input Frequency: 50/60Hz
- Projected Life: L70 > 100,000 hrs
- PF: >0.9
- CRI: >80
- THD: <20%
- Adjustable Lumen Output
- CCT Selectable: 3000K/4000K/5000K
- Operating Temp.: -40°F ~ 113°F
- IP Rating: IP65 Fixture Enclosure
- IP Rating: IK08
- Surge Protection: 10kV [Included]
- AUX Power 12V [Included]

Controls

- 0-10V Dimming [Standard]
- 7 Pin Receptacle with Shorting Cap and 3 Pin Photocell [Included]
- Screw-In Bi-level Occupancy/Daylight Harvesting Sensor [Option]

EPA Rating

- 200W/240W/300W [2.47ft²]

Lumen Output

- 200W: 31,581lm
- 240W: 37,293lm
- 300W: 42,419lm

Finish

- Dark Bronze

Optical

- Distribution Type Included In Box:
 - Type III [Installed]
 - Type IV
 - Type V

Installation/Mounting

- Slipfitter [Installed] [KI]
- Adjustable Pole Arm Mount [Installed][KII]

Warranty

- 5 Year Warranty
See warranty documentation for more information.



ORDERING INFORMATION

EXAMPLE: ALPE2-M-KI

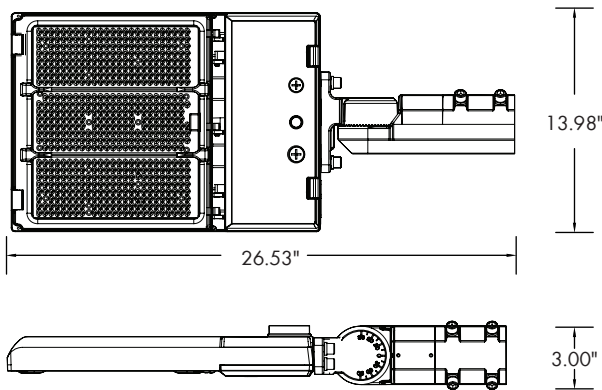
Package	Wattage	CCT	Distribution	Input Voltage	Finish	Mount	Controls
<input type="radio"/> ALPE2-M-KI	200W/240W/300W	3000K/4000K/5000K	Type III, Type IV, Type V	120-277V	Dark Bronze	Slipfitter	7 Pin Receptacle With Shorting Cap and \ 3 Pin Photocell
<input type="radio"/> ALPE2-M-KII						Adjustable Pole Arm Mount [Round and Square Poles]	

Note: CCT and Wattage are Selectable and that the Distribution is included.

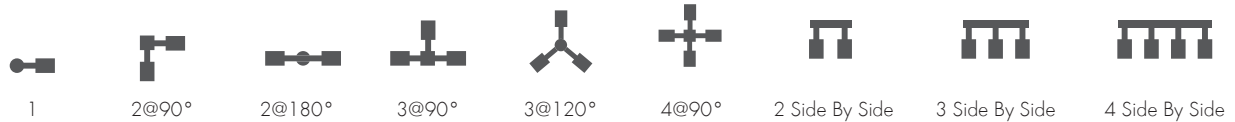
Accessories (Sold Separately)

- ALPE2-M-RLS (Reversible Light Shield [200W~300W])
- D4 (Screw-in Bi-level Occupancy/Daylight Harvesting Sensor)
- RC-02 (Remote Commissioning Tool)

TECHNICAL DETAIL



Wattage	3000K	4000K	5000K
200W	125lm/W	140lm/W	150lm/W
240W	125lm/W	140lm/W	150lm/W
300W	125lm/W	140lm/W	150lm/W



Configuration

	1	2@90°	2@180°	3@90°	3@120°	4@90°	2 Side By Side	3 Side By Side	4 Side By Side
EPA (ft²)	0.44	0.754	0.867	1.194	1.320	1.194	0.536	0.804	1.072
Weight (lb.)	15.07	30.14	30.14	45.21	45.21	60.28	30.14	45.21	60.28

PERFORMANCE TABLE

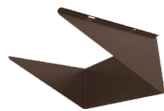
Lumen Output

Lumen value are from photometric test performed in accordance with IESNA LM-70-08. Data is considered to be representative of the configurations shown, within the tolerances allowed by Lighting Facts Contact factory for performance data on any configurations not shown here.

Performance Data:

System Watts	Dist. Type	3000K				4000K				5000K			
		Lumens	B	U	G	Lumens	B	U	G	Lumens	B	U	G
200W	3	28318	4	0	3	30979	4	0	3	30028	4	0	4
	4	28913	4	0	3	31387	4	0	3	30719	4	0	4
	5	28845	4	0	3	31581	5	0	3	30258	5	0	5
240W	3	32931	4	0	3	36572	4	0	4	34981	4	0	4
	4	33297	4	0	3	37110	4	0	3	35657	4	0	4
	5	33428	5	0	3	37293	5	0	3	35347	5	0	5
300W	3	36954	4	0	4	41451	5	0	4	39458	4	0	4
	4	37545	5	0	3	41937	5	0	4	40200	4	0	5
	5	37609	5	0	3	42419	5	0	3	40276	5	0	5

ACCESSORIES



Reversible Light Shield
[Sold Separately]
[ALPE2-M-RLS]



**Screw-In Bi-Level
Occupancy/Daylight
Harvesting Sensor**
[Sold Separately]
[D4]



**Remote
Commissioning
Tool**
[Sold Separately]
[RC-02]