

WARNING

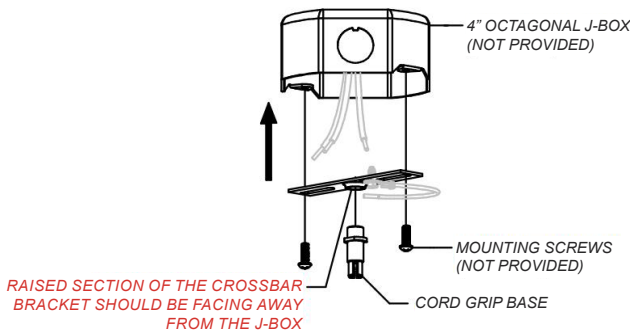
PLEASE READ ALL INSTRUCTIONS BEFORE ATTEMPTING INSTALLATION

- To prevent injury or product damage only licensed electricians should install.
- To avoid electric shock or component damage disconnect power before attempting installation or servicing.
- This product must be installed in accordance with the National Electric Code (NEC) and all applicable federal, state and local electric codes and safety standards.
- Any alteration or modification of this product is expressly forbidden as it may cause serious personal injury, death, property damage and/or product malfunction.
- To prevent product malfunction and/or electrical shock this product must be properly grounded.
- This luminaire is designed to operate in ambient temperatures ranging from -40°F to 122°F.
- This luminaire is IP65 Rated.
- This product must be installed in accordance with the applicable installation code by a person familiar with the construction and operation of the product and the hazards involved.
- Ensure all terminal connections are secure and not loose.
- Please read this installation instruction guide thoroughly before installations. Save for future reference

Installation: Pendant Mount

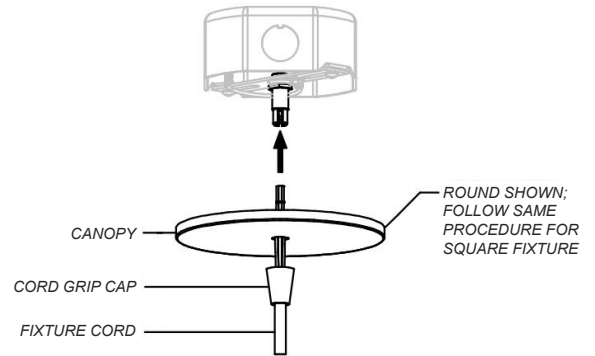
Step 1. Mount Crossbar

Mount kit crossbar to J-Box with mounting screws (not provided), then thread cord grip base into the crossbar.



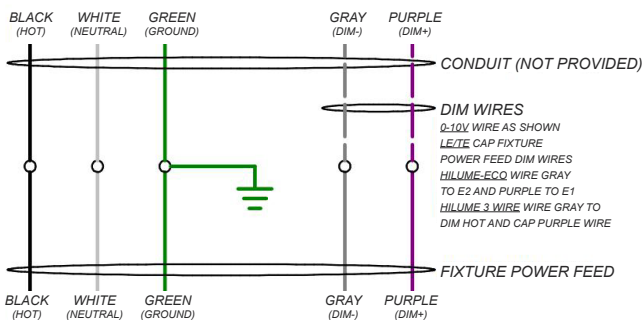
Step 2. Feed Cord

Feed fixture cord through cord grip cap, then canopy, and then through the cord grip base, adjusting fixture overall length (OAL).



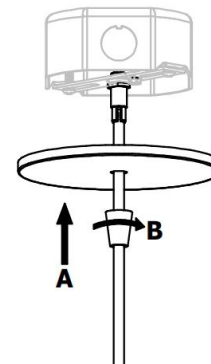
Step 3. Wire

Wire according to local and national code. Cut and strip as needed. Cap unused wires.



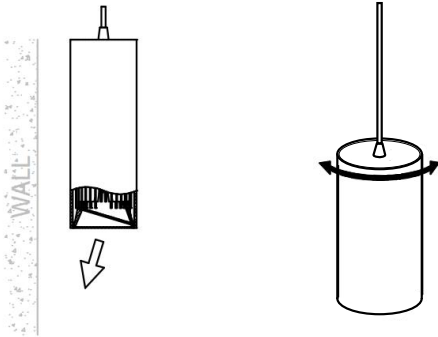
Step 4. Attach Canopy

Raise the cord grip cap and thread it onto the cord grip base.



Step 5. Align Housing*

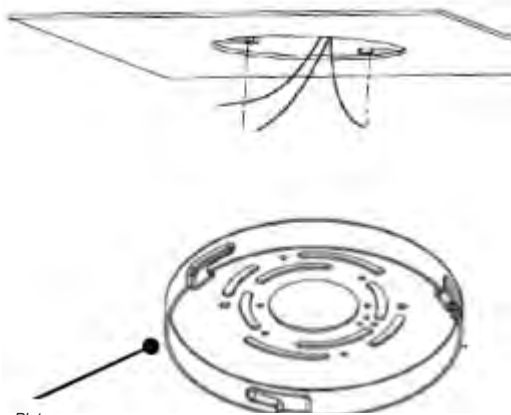
If the fixture has wall wash trim and/or square housing, align the housing by holding the cord and then rotating the housing.



Installation: Surface Mount

Step 1. Remove Mounting Bracket

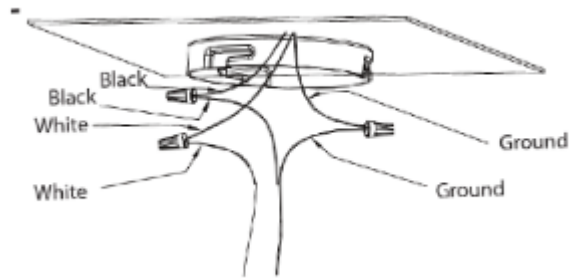
Twist to remove mounting bracket included with the fixture.
Install Mounting Bracket to the junction box. Align Mounting holes to the the junction box.



Direct Ceiling Mounting Plate
Included with Fixture

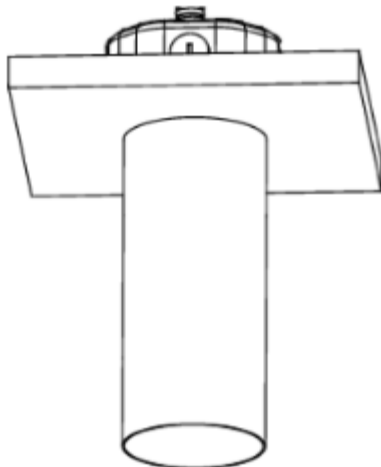
Step 2. Wiring

Wire according to local and national code. Cut and strip as needed. Cap unused wires.



Step 3.

Once all wiring is connect place wires in the junction box.
Align mount bracket to the fixture tabs and twist fixture.



J-BOX BY OTHERS

