

Date:	
Project Name:	
SKU #:	

SCP™
Square Parking Garage/Canopy Fixture



APPLICATIONS

Gas Stations, Underground Parking Lots, Warehouses, Industrial Facility, Exhibition Centers, Shopping Malls, Toll Stations

FEATURES

Construction

- Die-cast Aluminum Housing

Finish

- White

Electrical & Technical

- Input Voltage: 120-277V
- Input Frequency: 50/60Hz
- Projected Life: L70 > 75,000 hrs
- PF: >0.9
- CRI: >70
- THD: <20%
- Field Adjustable Lumen Output: 30%/50%/75%/100%
- CCT Selectable: 3000K/4000K/5000K
- Operating Temp.: -22°F ~ 122°F
- IP Rating: IP65
- IK Rating: IK08
- Surge Protection: 6kV Line-Line, 10kV Line-Earth

Optical

- Tempered Glass Lens
- 120° Beam Angle

Installation/Mounting

- Direct Surface Mount [Standard]
- Retrofit Surface Mount
- ¾" Pendant Mount [Stem Not Included]

Controls

- 0-10V Dimming Standard
- Bi-level Occupancy/Daylight Harvesting Sensor [Option] [Factory Installed]

Lumen Output

- 36W: 5400lm
- 60W: 9000lm
- 90W: 13,500lm
- 120W: 18,000lm

Warranty

- 5 Year Warranty
See warranty documentation for more information.



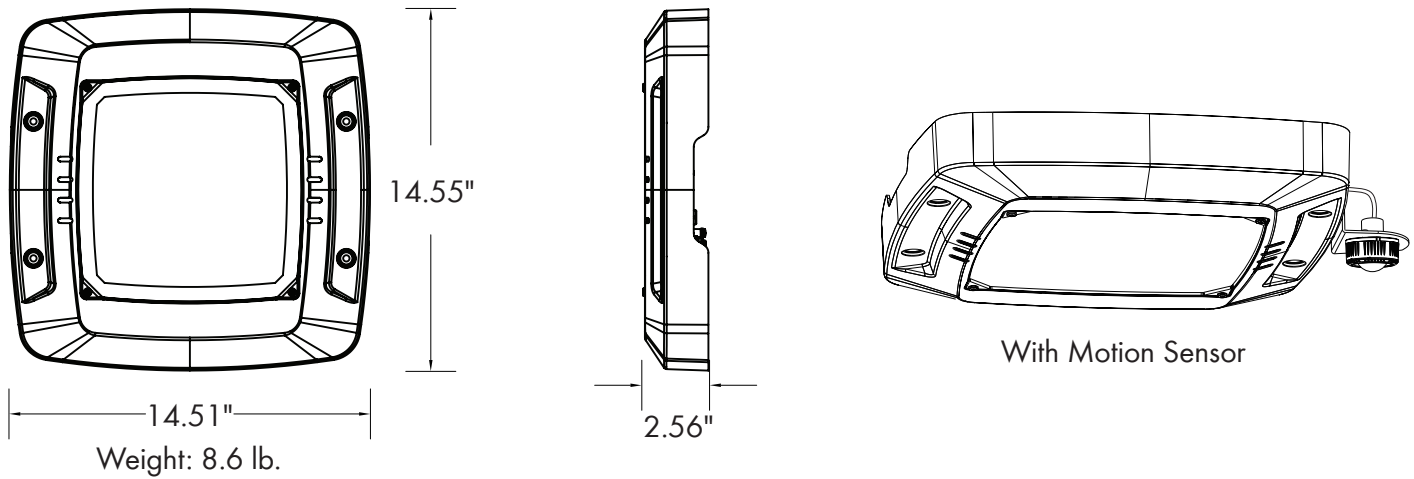
ORDERING INFORMATION **EXAMPLE: SCP-L-C-U-D**

SCP						
Series	Wattage	CCT	Input Voltage	Dimming	Mounting Options	Controls Option
SCP	L - 120W/90W/60W/36W	C - 3000K/4000K/5000K	U - 120-277V	D - 0-10V Dimming	SA - Surface Mount With Adapter PM - Pendant Mount Bracket	M - Bi-level Occupancy/Daylight Harvesting Sensor

Accessories

RC-RC-100 (Wireless Configuration Tool)

DIMENSIONS



LUMEN OUTPUT

SKU	Wattage (W)	Delivered Lumens (lm) 100%	Efficacy (lm/W)	Delivered Lumens (lm) 75%	Efficacy (lm/W)	Delivered Lumens (lm) 50%	Efficacy (lm/W)	Delivered Lumens (lm) 30%	Efficacy (lm/W)
SCP-L-C-U-D	120/90/60/36	18000 (120W)	150	13500 (90W)	150	9000 (60W)	150	5400 (36W)	150

ACCESSORIES



CONTROL PRE-COMMISSIONING

Default setting are indicated by*

High-End Trim/ Tuning	Sensitivity Range	Time Delay	Daylight Harvesting	Stand-by Light Level Setting	Stand-by Time Setting
70%	20%	10s	Light Sensor Disabled*	0%	∞
80%	50%	1min	1FC (10lux)	10%*	1min
90%	75%	10min*	3FC (30lux)	30%	30min
100%*	100%*	15min	5FC (50lux)	50%	60min*

High-End Trim/Tuning:

Setting that determines the maximum lumen output through high-end trim tuning, can be reduced by up to 30 percent.

Sensitivity Range:

Setting that determines the sensitivity range of the motion sensor when the daylight sensor is disabled.

Time Delay:

The light can be set to stay ON for any period of time between approx. 10 sec. to a maximum of 60 min. Any movement detected before this time elapse will re-start the timer.

Daylight Harvesting:

The chosen light response threshold can be disabled or respond when photocell detects foot candle levels 1-5 FC

Stand-by Light Level:

Setting determines how much lumen output is dimmed down to when no motion is detected.

Stand-by Time:

Setting determines how long after stand-by light level occurs the light will shut off. Up to 60 minutes.