

Date:	
Project Name:	
SKU #:	

**Disk Downlight**  
Flush Mounted Downlight



**APPLICATIONS**

Residential, Commercial, Multi-Family

**FEATURES**

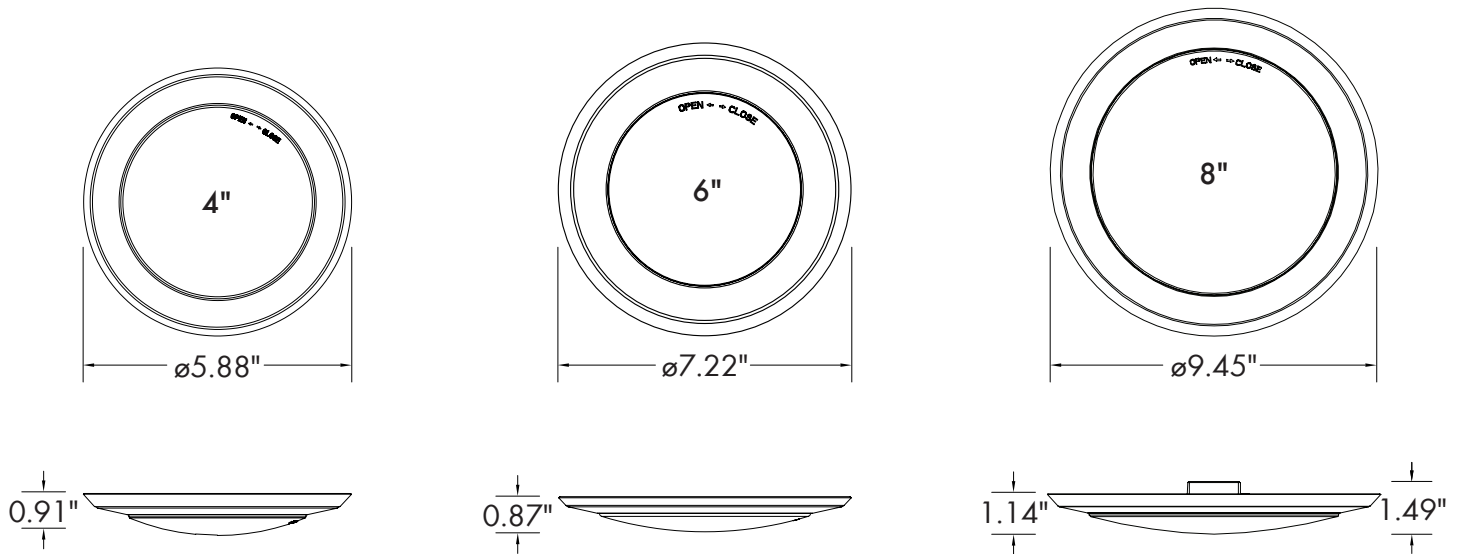
<b>Construction</b> - Iron Shell Housing	<b>Finish</b> - White
<b>Electrical &amp; Technical</b> - Input Voltage: 120VAC - Input Frequency: 60Hz - Projected Life: L70 > 50,000 hrs - PF: >0.9 - CRI: >90 - THD: <20% - CCT Selectable: 2700K/3000K/3500K/4000K/5000K - Operating Temp.: -4°F ~ 122°F - Wet Location Rated	<b>Optical</b> 1- 120° Beam Angle
<b>Controls</b> - Triac Dimming	<b>Installation/Mounting</b> - Flush Mount: • 2.75" J-Box [4" or 8"Disk] • 3.5" J-Box
<b>Dimmer Compatibility List:</b> Leviton: 6672, 6674, DSL06, PD-6WCL, MACL-153M/MA-R Lutron: TG-600PR-WH, S-600PR-WH, CTCL-153PDH-WH, TGCL-153PH-LA, SLV-600P-AL, DV-600PR-WH, SCL-153PH-WH, GT-600P, DVCL-153P, RNLO6, MSCL-OP153M, IPL06	<b>Compliance</b> - JA8 TITLE 24 Compliant
<b>Lumen Output</b> • 4"/10W: 625lm • 6"/15W: 1,067lm • 8"/18W: 1,356lm	<b>Warranty</b> - 5 Year Warranty See warranty documentation for more information.



**ORDERING INFORMATION** **EXAMPLE: DDR-0410-5CCT**

Series	Size/Wattage	CCT
DDR	0410 - 4"/10W 0615 - 6"/15W 0818 - 8"/18W	5CCT - 2700K/3000K/3500K/4000K/5000K

DIMENSIONS



LUMEN OUTPUT

SKU	Size (in)	Wattage (W)	(2700K)		(3000K)		(3500K)		(4000K)		(5000K)	
			Delivered Lumens (lm)	Efficacy (lm/W)	Delivered Lumens (lm)	Efficacy (lm/W)	Delivered Lumens (lm)	Efficacy (lm/W)	Delivered Lumens (lm)	Efficacy (lm/W)	Delivered Lumens (lm)	Efficacy (lm/W)
DDR-0410-5CCT	4	10	591	59	607	61	618	62	625	62	611	61
DDR-0615-5CCT	6	15	941	62	971	64	1032	68	1067	71	973	64
DDR-0818-5CCT	8	18	1218	67	1247	69	1303	72	1356	75	1298	72