

Date:	
Project Name:	
SKU #:	

T-SPEC™
Architectural Lighting



APPLICATIONS

Commercial, Retail, Office, Public Spaces

FEATURES

- | | |
|--|--|
| <p>Construction</p> <ul style="list-style-type: none"> - Aluminum frame for maximum rigidity and lightweight body. - Convective cooling. <p>Electrical & Technical</p> <ul style="list-style-type: none"> - Input Voltage: 100-277V - Input Frequency: 50/60Hz - Projected Life: L70 > 50,000 hrs - PF: >0.9 - CRI: >80 - THD: <20% - CCT: *3000K, 3500K, 4000K, 5000K - Operating Temp.: -4°F ~ 104°F - Damp Location Rated - Three T-Specs' Powered Single Driver via PoE Connection: <ul style="list-style-type: none"> • 30W Driver: Powers up to three 10W, 2' T-Spec™ • 60W Driver: Powers up to three 20W, 4' T-Spec™ - CMP Cable [Plenum Rated] [Option] (ANSI/NFPA Standard 262-1985 (UL-910) compliant) - 2' T-Spec: 6' Power Cable [Standard] - 4' T-Spec: 8' Power Cable [Standard] - 12' Extension Cable (Option) - 15W Emergency Inverter Option (Power Per Driver) - 10W Bodine Inverter Option (Power Per Driver) | <p>Finish</p> <ul style="list-style-type: none"> - Silver Frame - White Lens <p>Optical</p> <ul style="list-style-type: none"> - Acrylic Lens - Wall Wash: Contact TGS For Details <p>Installation/Mounting</p> <p>Suitable for T-Bar Grid installation:</p> <ul style="list-style-type: none"> - 15/16" Exposed Type T-Bar Grid - 9/16" Slim Exposed T-Bar Grid - 9/16" Slot T-Bar Grid <p>See Page 3 For Compatibility Chart</p> <p>Controls</p> <ul style="list-style-type: none"> - 0-10V Dimming - Lutron Vive PowPak [Option] [Factory Install] |
|--|--|

- Lumen Output**
- 10W: 1,300lm
 - 20W: 2,600lm

Warranty

- 5 Year Warranty

See warranty documentation for more information.



Not all products are qualified on the DLC® QPL. To view our DLC® qualified products, please consult the DLC® Qualified Products List at www.designlights.org/apl.

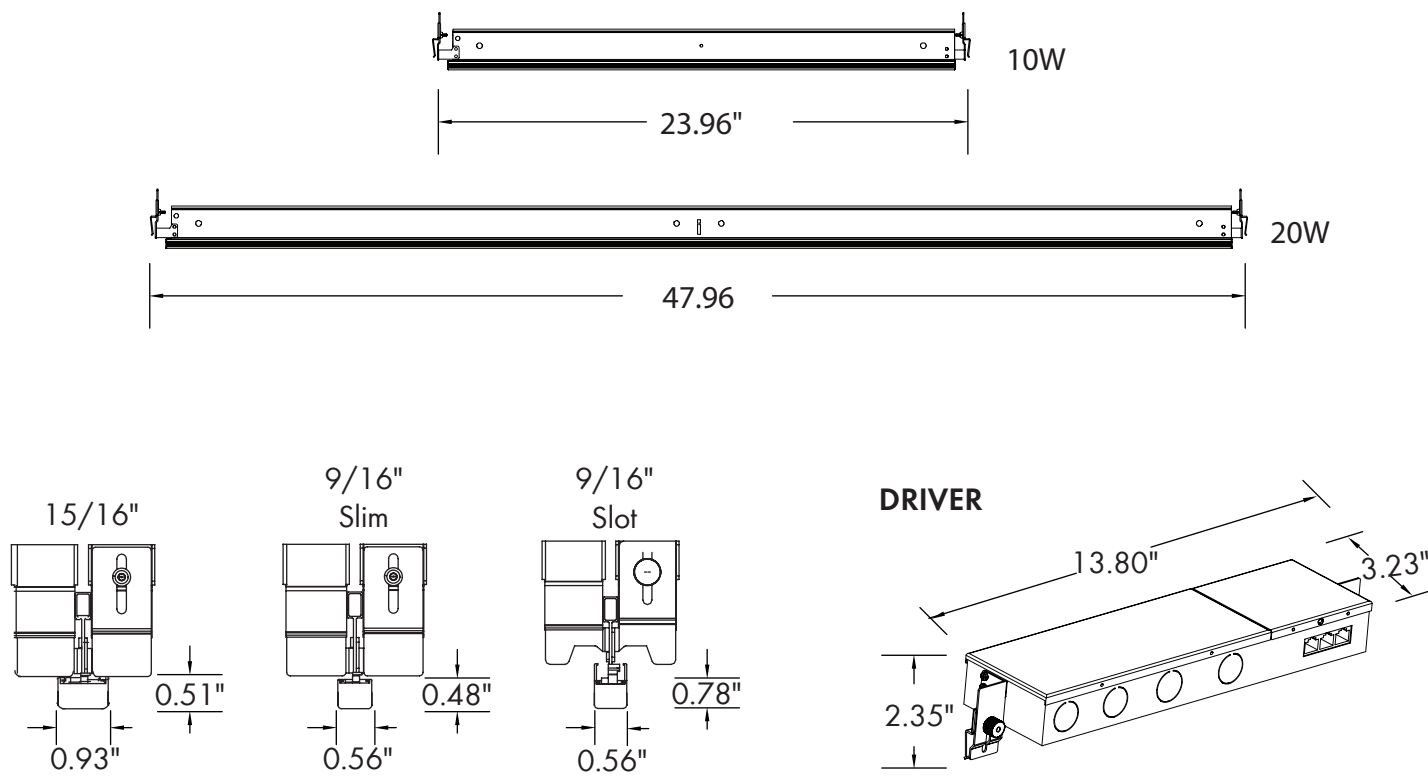


ORDERING INFORMATION **EXAMPLE: TSPEC2-10W-50K-15-U-D**

Series	Length	Wattage	CCT	Ceil Grid Type	Input Voltage	Control
TSPEC	2 - 2'	10W	30K - 3000K* 35K - 3500K	15 - 15/16" Exposed Type T-Bar 09 - 9/16" Slim Exposed Type T-Bar	U - 100-277V	D - 0-10V Dimming
	4 - 4'	20W	40K - 4000K 50K - 5000K	S9 - 9/16" Slot Type T-Bar		

Drivers	Accessories
TSPEC2-30W-DRIVER (T-Spec™ 2' [30W Driver]) TSPEC4-60W-DRIVER (T-Spec™ 4' [60W Driver])	ELIS10CDF (Bodine Inverter 10W) TGS-15W-INT (EM Inverter 15W) CMP (Plenum Rated Cable) TSPEC-EXT-12FT (12ft Extension Cable) T-BR-EM (T-Bar Bracket for Emergency Battery Backup) FCJSO (Lutron Vive PowPak)

DIMENSIONS



LUMEN OUTPUT

SKU	Wattage (W)	Delivered Lumens (lm)	Efficacy (lm/W)
TSPEC2-10W-50K-U-D	10	1300	130
TSPEC4-20W-50K-U-D	20	2600	130

ACCESSORIES



Bodine Inverter 10W
(Option)
(Installed Remotely)
(Works up to 100W)
[ELIS10CDF]



Emergency Inverter 15W
(Option)
[TGS-15W-INT]



T-Bar Emergency Battery Bracket
[TR-BR-EM]



Extension Cable (12')
[TSPEC-EXT12FT]



Lutron Vive PowPak
(Option)
[FCJS0]

COMPATIBLE CEILING CHART

TSPECX-XXW-XXK-09-U-D

TSPECX-XXW-XXK-S9-U-D

TSPECX-XXW-XXK-15-U-D



9/16" Slim Exposed

9/16" Slot

15/16" Exposed

T-SPEC™ Ceiling Compatibility



Suprane® XL



Silhouette® 1/4" XL



Silhouette® 1/8" XL

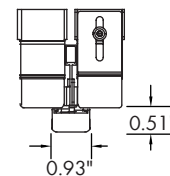
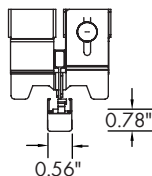
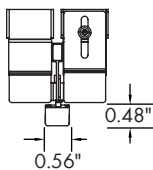


Prelude® XL



Clean Room

Size



Lengths/Wattages/Lumen

2'/10W/1100 lm
4'/20W/2200 lm

2'/10W/1100 lm
4'/20W/2200 lm

2'/10W/1300 lm
4'/20W/2600 lm

Efficacy

>110 lm/W

>110 lm/W

>130 lm/W

120° Beam Angle

✓

✓

✓

100-277VAC Input

✓

✓

✓

Custom Pattern

✓

✓

✓

Plenum Rated Cable

✓

✓

✓

Emergency Option

✓

✓

✓

UL/CUL

✓

✓

✓

Note: Suprane®, Silhouette®, Sonata®, Prelude® are trademarks of Armstrong World Industries (AWI) company.