

Date:	
Project Name:	
SKU #:	

Contemporary Wall Sconce
Wall Mounted



APPLICATIONS

Residential, Commercial, Multi-Family Complex

FEATURES

Construction

- Die-formed Cold-Rolled Steel with Powder Coated Paint.

Finish

- Satin Nickel

Electrical & Technical

- Input Voltage: 120V
- Input Frequency: 60Hz
- Projected L70 > 50,000 hrs
- PF: >0.9
- CRI: >80
- THD: <20%
- CCT: 3000K
- Operating Temp.: -4°F ~ 104°F
- Damp Location Rated

Optical

- High Transmission White Acrylic Lens
- 220° Beam Angle

Installation/Mounting

- Wall Mounted

Controls

- No Dimming

Lumen Output

- 11"/14W:980lm

Warranty

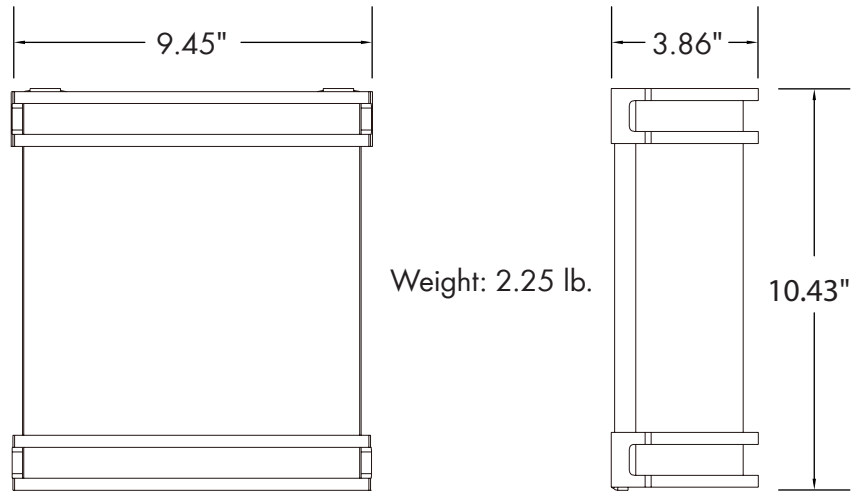
- 5 Year Warranty
- See warranty documentation for more information.



ORDERING INFORMATION **EXAMPLE: CWS-1114-30-SN**

CWS			
Series	Size/Wattage	CCT	Finish
CWS	1114 - 11"/14W	30 - 3000K	SN - Satin Nickel

DIMENSIONS



LUMEN OUTPUT

SKU	Size (in)	Wattage (W)	Delivered Lumens (lm)	Efficacy (lm/W)
CWS-1114-30-XX	11	14	980	70