

Date:	
Project Name:	
SKU #:	

CHB-E™
Circular Select High Bay



APPLICATIONS

Commercial and Industrial

FEATURES

Construction

- Die-cast Aluminum Alloy Housing

Finish

- Black
- White

Electrical & Technical

- Input Voltage: 100-277V
- Input Frequency: 50/60Hz
- Projected Life: L70 > 54,000 hrs
- PF: >0.95
- CRI: 80
- THD: <20%
- Adjustable Lumen Output
- CCT: 4000K or 5000K
- Operating Temp.: -22°F ~ 122°F
- IP Rating: IP65
- IK Rating: IK08
- UGR Level: 26
- Surge Protection: 4kV
- 60W Emergency Inverter [Option]

Optical

- PC Optical Lens
- Beam Angle:
 - 120° [Standard]
 - 90°
 - 60°
- PC Reflectors [Option]
- Aluminum Reflectors [Option]
- Wire Guard [Option]

Installation/Mounting

- Loop Mount [Standard] [Chain Not Provided]
- Surface Mount Bracket [Option]
- Pendant Mount [3/4" NPT]
- Safety Chain Length: 19.685" [Option]

Controls

- 0-10V Dimming [Dims to 10%]
- Bi-level Occupancy/Daylight Harvesting Sensor IP65 [Option]

Lumen Output

- 200W: 28,000lm

Warranty

- 5 Year Warranty
- 7/10 Year Warranty Available.
- See warranty documentation for more information.



ORDERING INFORMATION **EXAMPLE: CHB-E-L-40-WD-U-D-B-LM**

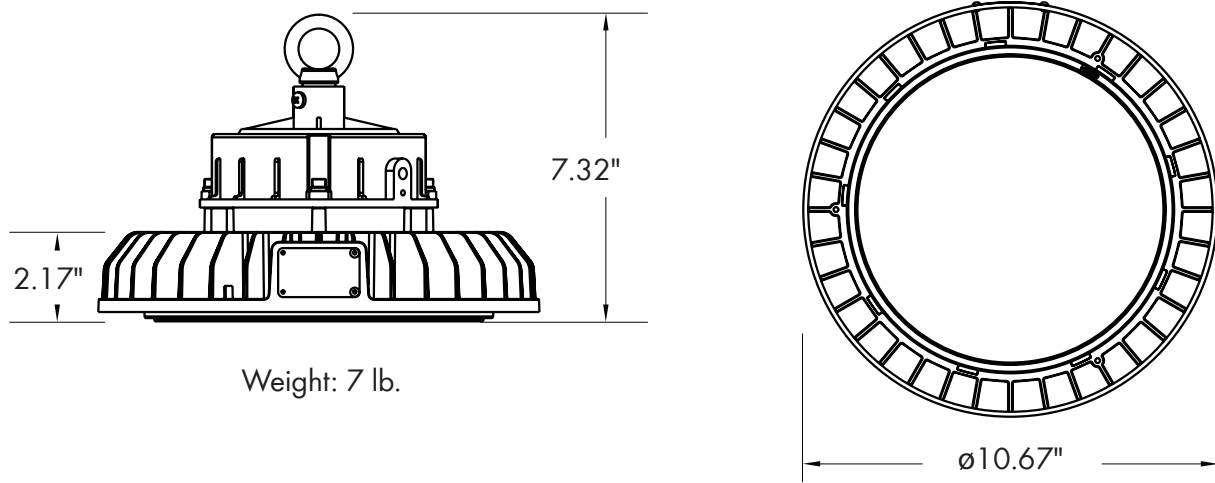
CHB-E								
Series	Wattage	CCT	Beam Angle	Input Voltage	Dimming	Finish	Mounting Option	Controls Option
CHB-E	L - 200W/150W/120W/100W	40 - 4000K 50 - 5000K	WD - 120°	U - 100-277V	D - 0-10V Dimming	B - Black W - White	LM - Loop Mount SM - Surface Mount PM - Pendant Mount 3/4"	M - Bi-level Occupancy/ Daylight Harvesting Sensor [IP65]

Accessories **Distribution Options**

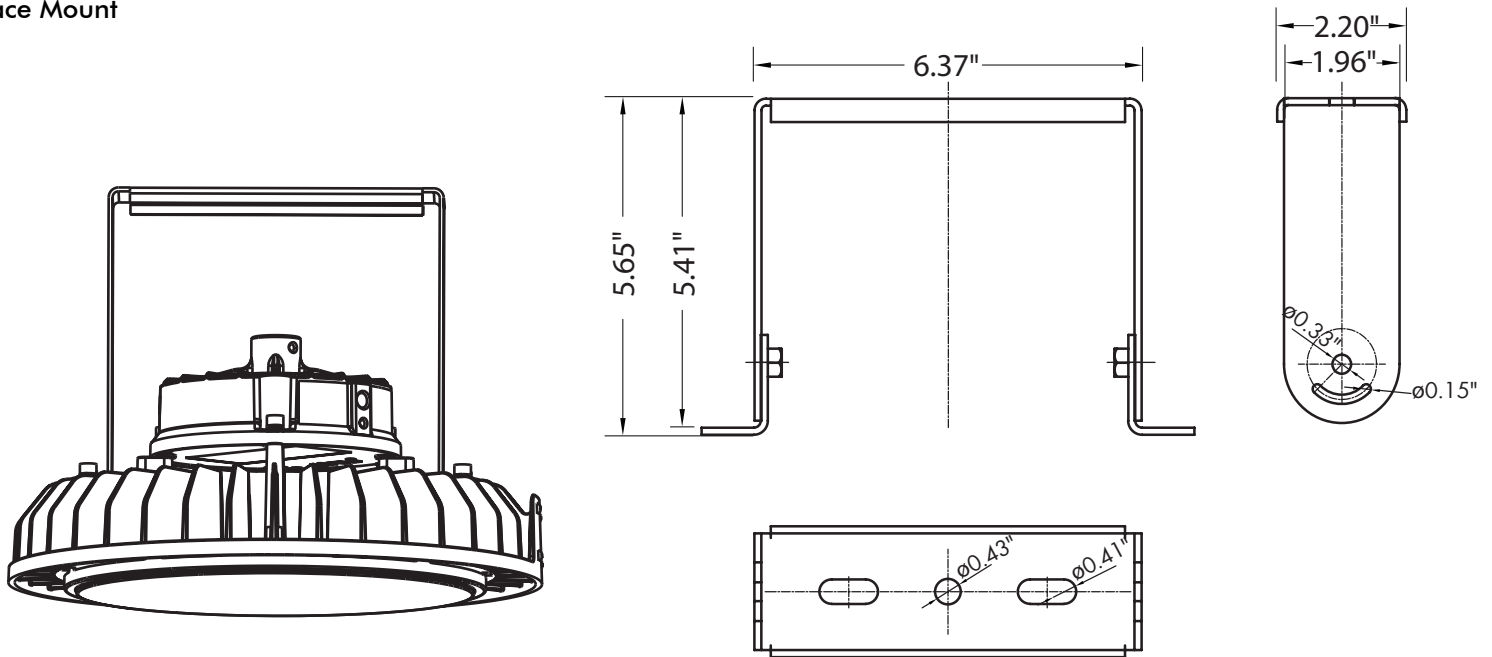
- | | |
|---|---|
| <ul style="list-style-type: none"> TGS-60W-HB-INT (60W Emergency Inverter) SAFETY-SC (Safety Chain) CHB-E-L-WG-B (Wire Guard - Black) CHB-E-L-WG-W (Wire Guard - White) | <ul style="list-style-type: none"> CHB-E-L-AM (Aluminum Reflector [80°]) CHB-E-L-PM (PC Reflector [90°]) CHB-E-L-MD (Medium Distribution Optic [90°]) CHB-E-L-ND (Narrow Distribution Optic [60°]) CHB-E-L-LC (Lens Cover For PC Reflector [100°]) |
|---|---|

DIMENSIONS

Loop Mount



Surface Mount



LUMEN OUTPUT

SKU	Wattage (W)	Delivered Lumens (lm) 100%	Efficacy (lm/W)	Delivered Lumens (lm) 75%	Efficacy (lm/W)	Delivered Lumens (lm) 60%	Efficacy (lm/W)	Delivered Lumens (lm) 50%	Efficacy (lm/W)
CHBE-L50-WD-U-D-HM-X	200/150/120/100	28000	140	21000	140	16800	140	14000	140

ACCESSORIES



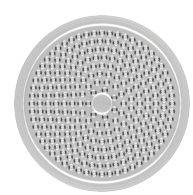
Loop Mount
(Chain Not Included)
(Standard)
[LM]



Surface Mount
(Tilt 30°)
(Option)
[SM]



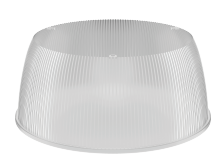
Pendant Mount
[3/4" NPT]
(Option)
[PM]



90° or 60° Optic Lens
(Option)
[CHB-E-L-MD]
[CHB-E-L-ND]



80° Aluminum Reflector
(Option)
[CHB-E-L-AM]



90° PC Reflector
(Option)
[CHB-E-L-PM]



PC Reflector
Lens Cover
(Option)
[CHB-E-L-LC]



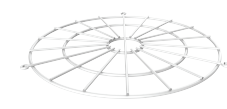
60W
Emergency
Battery Backup
(Option)
[TGS-60W-HB-INT]



Bi-level Occupancy/
Daylight Harvesting
Sensor [IP65]
[M]



Safety Chain
[19.685"]
(Option)
[SAFETY-SC]



Wire Guard
(Option)
[CHB-E-L-WG-B]
[CHB-E-L-WG-W]

CONTROL PRE-COMMISSIONING

Default setting are indicated by*

High-End Trim/ Tuning	Time Delay	Daylight Harvesting	Stand-by Light Level Setting	Stand-by Time Setting
20% - 8' Height (48' Dia.)	10s	Light Sensor Disabled*	0%	∞
50% - 20' Height (40' Dia.)	1 min	1FC (10lux)	10%*	1 min
75% - 40' Height (60' Dia.)	10min*	3FC (30lux)	30%	30min
100% - 40' Height (100' Dia.)*	15min	5FC (50lux)	50%	60min*

High-End Trim/Tuning:

Setting that determines the maximum lumen output through high-end trim tuning, can be reduced by up to 30 percent.

Sensitivity Range:

Setting that determines the sensitivity range of the motion sensor when the daylight sensor is disabled.

Time Delay:

The light can be set to stay ON for any period of time between approx. 10 sec. to a maximum of 60 min. Any movement detected before this time elapse will re-start the timer.

Daylight Harvesting:

The chosen light response threshold can be disabled or respond when photocell detects foot candle levels 1-5 FC

Stand-by Light Level:

Setting determines how much lumen output is dimmed down to when no motion is detected.

Stand-by Time:

Setting determines how long after stand-by light level occurs the light will shut off. Up to 60 minutes.