

Date:	
Project Name:	
SKU #:	

**ThinTek™ Mini RW**  
Downlight



**APPLICATIONS**

Residential, Commercial, Multi-Family Complex, Bathrooms

**FEATURES**

**Construction**

- Injection Molded PC Housing
- Integrated driver.

**Finish**

- White Trim

**Electrical & Technical**

- Input Voltage: 120V
- Input Frequency: 60Hz
- Projected L70: > 36,000 hrs
- PF: >0.9
- CRI: >80 or >90 [Option]
- THD: <20%
- CCT Selectable: 3000K/4000K/5000K
- Operating Temp.: -4°F ~ 104°F
- High Voltage Emergency Battery Backup 25W [Option]
- IP Rating: Wet Location Rated (IP44)

**Optical**

- Glare Reducing PC Lens
- 120° Beam Angle

**Installation/Mounting**

- Surface Mounted:
  - 4" J-Box,
  - 4" Octagon J-Box

**Controls**

- Triac Dimming

**Compliance**

- JA8 TITLE 24 Compliant at 90CRI

**Dimmer Compatibility List:**

Leviton: 6672-1LW  
Lutron: : MACL-153MR-WH, SCL-153P-WH, PD-6WCL-WH, CTCL-153P-WH, MSCL-OP153M-WH, DVCL-153P-WH

**Lumen Output**

- 8"/10W: 1,000lm
- 12"/15W: 1,500lm
- 16"/25W: 2,200lm

**Warranty**

- 36,000 Hours Warranty
- See warranty documentation for more information.



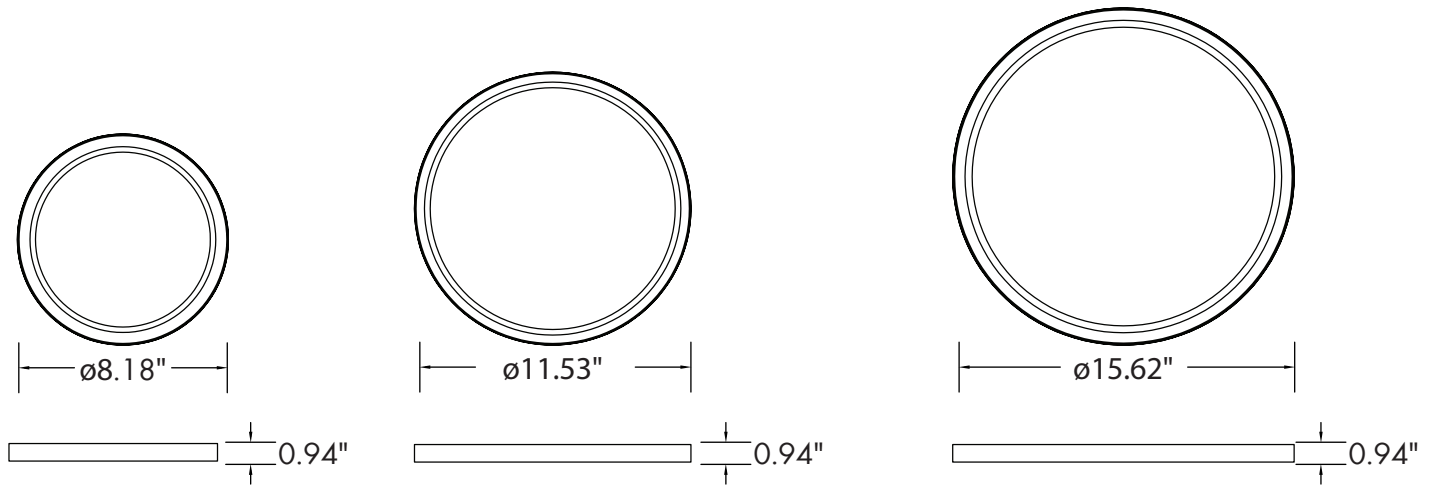
**ORDERING INFORMATION** **EXAMPLE: 881215-RW-TM-CC**

88					
Round	Size/Wattage	Shape/Type	Series	CCT	CRI
88	0810 - 8"/10W 1215 - 12"/15W 1625 - 16"/25W	RW	TM - ThinTek™ Mini	CC - 3000K/4000K/5000K	90CRI [Option]

**Accessories**

- 90025-H (25W High Voltage Emergency Battery Backup)
- T-BR-EM (T-Bar Bracket for Emergency Battery Backup)

## DIMENSIONS



## LUMEN OUTPUT

SKU	Size (in)	Wattage (W)	Delivered Lumens (lm)	Efficacy (lm/W)
880810-RW-TM-CC	8	10	1000	100
881215-RW-TM-CC	12	15	1500	100
881625-RW-TM-CC	16	25	2200	100

## ACCESSORIES



Flush Mount  
(Standard)



High Voltage Emergency  
Battery Backup [25W]  
(Option)  
[90025-H]



T-Bar Emergency Battery  
Backup Bracket  
(Option)  
[T-BR-EM]