



COMBINED FAMILY SPECIFICATION

DDR

Contractor Grade Surface Mount Downlight

Disk Downlight - Flush Mount 5CCT

Disk Downlight - Flush Mount

Date:	
Project Name:	
SKU #:	

Disk Downlight

Flush Mount



APPLICATIONS

Residential, Commercial, Multi-Family Complex

FEATURES

Construction

- Iron Shell Housing

Finish

- White

Electrical & Technical

- Input Voltage: 120VAC
- Input Frequency: 60Hz
- Projected Life: L70 > 50,000 hrs
- PF: >0.9
- CRI: >90
- THD: <20%
- CCT Selectable: 2700K/3000K/3500K/4000K/5000K
- Operating Temp.: -4°F ~ 122°F
- Wet Location Rated

Optical

1- 120° Beam Angle

Installation/Mounting

- Flush Mount:
 - 2.75" J-Box [4" or 8"Disk]
 - 3.5" J-Box

Controls

- Triac Dimming

Compliance

- JA8 TITLE 24 Compliant

Dimmer Compatibility List:

Leviton: 6672, 6674, DSL06, PD-6WCL, MACL-153M/MA-R
 Lutron: TG-600PR-WH, S-600PR-WH, CTCL-153PDH-WH, TGCL-153PH-LA, SLV-600P-AL, DV-600PR-WH, SCL-153PH-WH, GT-600P, DVCL-153P, RNL06, MSCL-OP153M, IPL06

Lumen Output

- 4"/10W: 625lm
- 6"/15W: 1,067lm
- 8"/18W: 1,356lm

Warranty

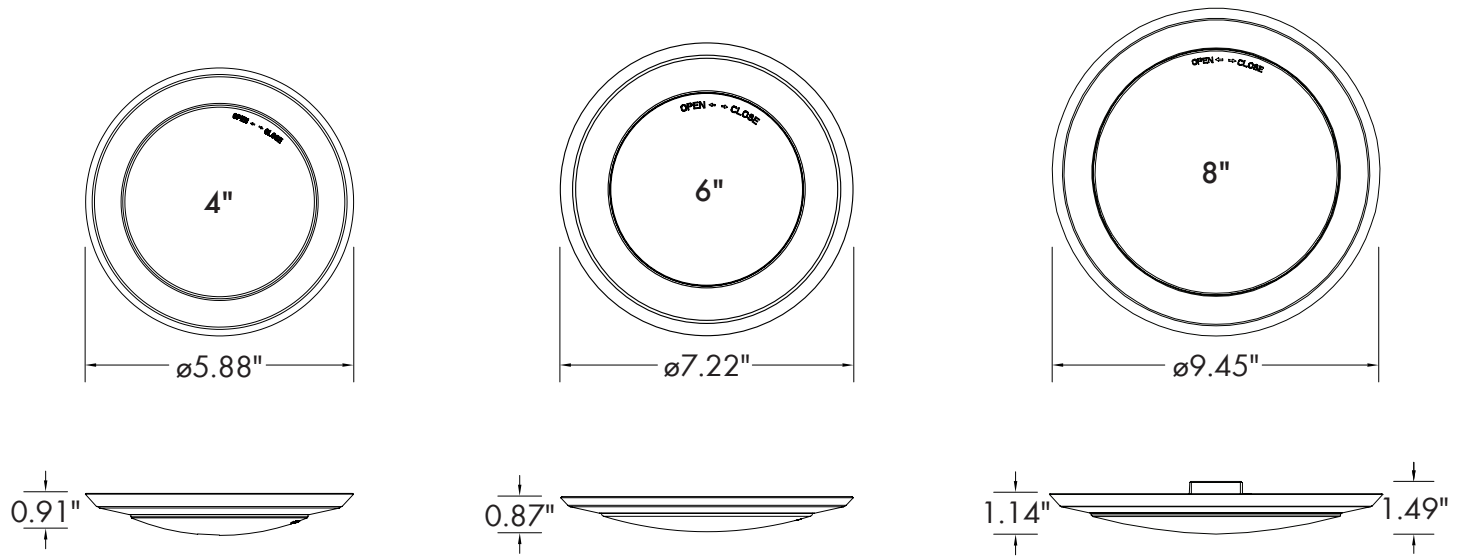
- 5 Year Warranty
 See warranty documentation for more information.



ORDERING INFORMATION EXAMPLE: DDR-0410-5CCT

DDR		
Series	Size/Wattage	CCT
DDR	0410 - 4"/10W 0615 - 6"/15W 0818 - 8"/18W	5CCT - 2700K/3000K/3500K/4000K/5000K

DIMENSIONS



LUMEN OUTPUT

SKU	Size (in)	Wattage (W)	(2700K)		(3000K)		(3500K)		(4000K)		(5000K)	
			Delivered Lumens (lm)	Efficacy (lm/W)	Delivered Lumens (lm)	Efficacy (lm/W)	Delivered Lumens (lm)	Efficacy (lm/W)	Delivered Lumens (lm)	Efficacy (lm/W)	Delivered Lumens (lm)	Efficacy (lm/W)
DDR-0410-5CCT	4	10	591	59	607	61	618	62	625	62	611	61
DDR-0615-5CCT	6	15	941	62	971	64	1032	68	1067	71	973	64
DDR-0818-5CCT	8	18	1218	67	1247	69	1303	72	1356	75	1298	72

Date:	
Project Name:	
SKU #:	

Disk Downlight
Flush Mount



APPLICATIONS

Residential, Commercial, Multi-Family Complex

FEATURES

Construction

- Iron Shell Housing

Finish

- White

Electrical & Technical

- Input Voltage: 120VAC
- Input Frequency: 60Hz
- Projected Life: L70 > 50,000 hrs
- PF: >0.9
- CRI: >90
- THD: <20%
- CCT: 3000K, 4000K, or 5000K
- Operating Temp.: -4 °F ~ 122 °F
- Wet Location Rated

Optical

- 120° Beam Angle

Installation/Mounting

- Flush Mount:
 - 2.75" J-Box [4" or 8"Disk]
 - 3.5" J-Box

Controls

- Triac Dimming

Compliance

- JA8 TITLE 24 Compliant

Dimmer Compatibility List:

Leviton: 6672, 6674, DSL06, PD-6WCL, MACL-153M/MA-R
 Lutron: TG-600PR-WH, S-600PR-WH, CTCL-153PDH-WH, TGCL-153PH-LA, SILV-600P-AL, DV-600PR-WH, SCL-153PH-WH, GT-600P, DVCL-153P, RNL06, MSCL-OP153M, IPL06

Lumen Output

- 4"/10W: 617lm
- 6"/15W: 1,126lm
- 8"/18W: 1,356lm

Warranty

- 5 Year Warranty
 See warranty documentation for more information.

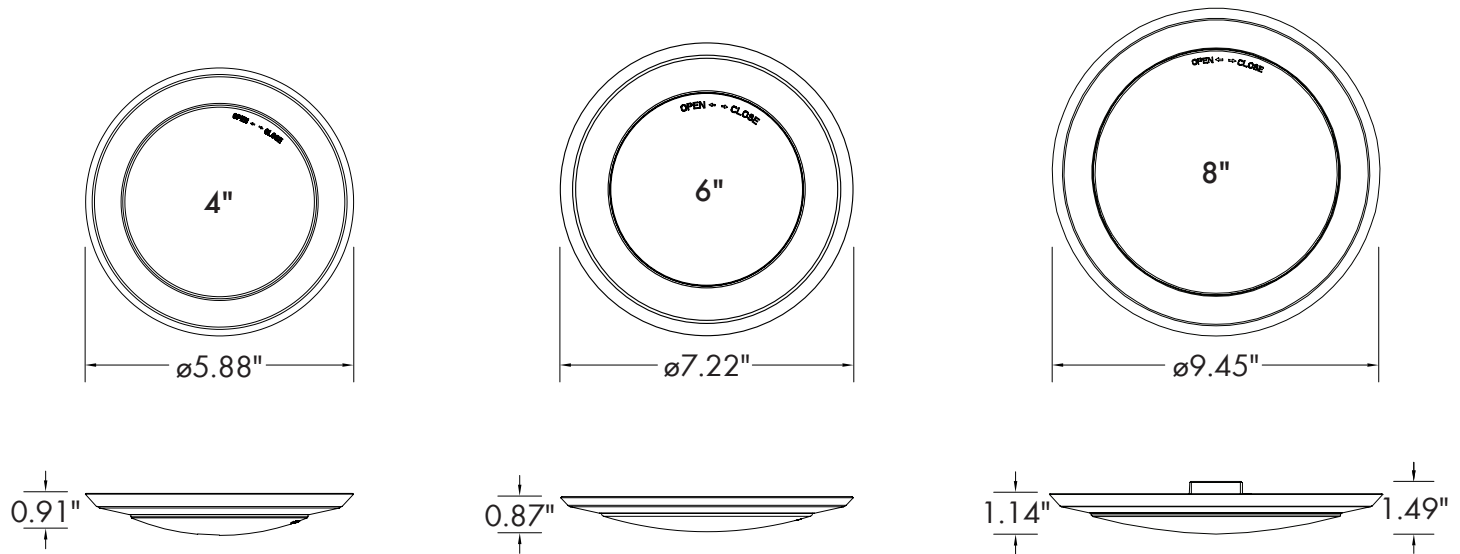


ORDERING INFORMATION

EXAMPLE: DDR-0410-40

Series	Size/Wattage	CCT
DDR	0410 - 4"/10W	30 - 3000K
	0615 - 6"/15W	40 - 4000K
	0818 - 8"/18W	50 - 5000K

DIMENSIONS



LUMEN OUTPUT

SKU	Size (in)	Wattage (W)	(4000K)	
			Delivered Lumens (lm)	Efficacy (lm/W)
DDR-0410-40	4	10	617	61
DDR-0615-40	6	15	1126	75
DDR-0818-40	8	18	1356	75